



# INSTALLATION INSTRUCTIONS

Accessory  
**FRONT GRILLE**  
P/N 08F21-T7S-100

Application  
**2017 HR-V**

Publications No.  
**VERSION 1**  
Issue Date  
**SEP 2016**

## PARTS LIST

Front grille



License frame



## TOOL AND SUPPLIES REQUIRED

Phillips screwdriver  
Ratchet  
10 mm Socket  
Tape  
Blanket  
Shop towel

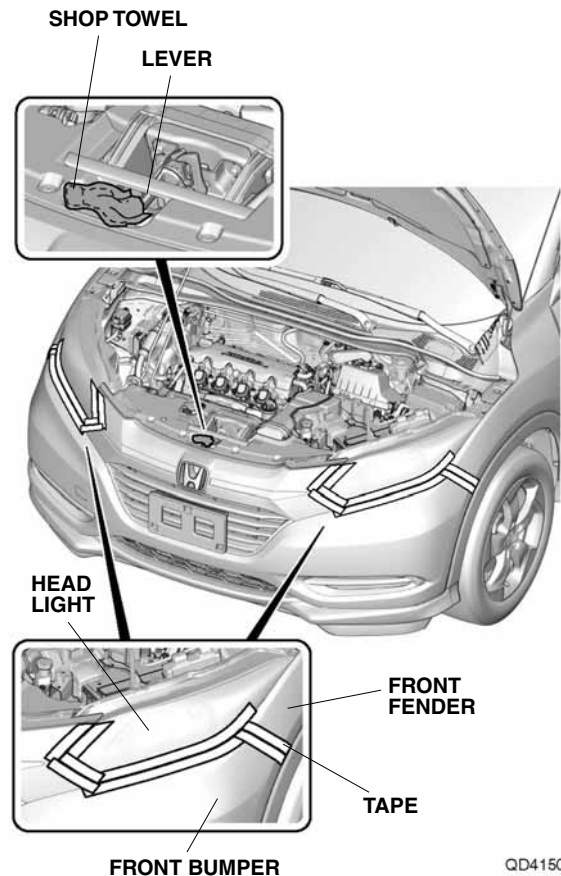
*The following tool is available through the Honda Tool and Equipment Program. On the iN, click on: Service > Service Bay > Tool and Equipment Program, then enter the number under "Search". Or, call 888-424-6857.*

- Trim Tool Set (T/N SOJATP2014)
- Plastic Trim Tool (T/N SILTRIMTL10)

## INSTALLATION

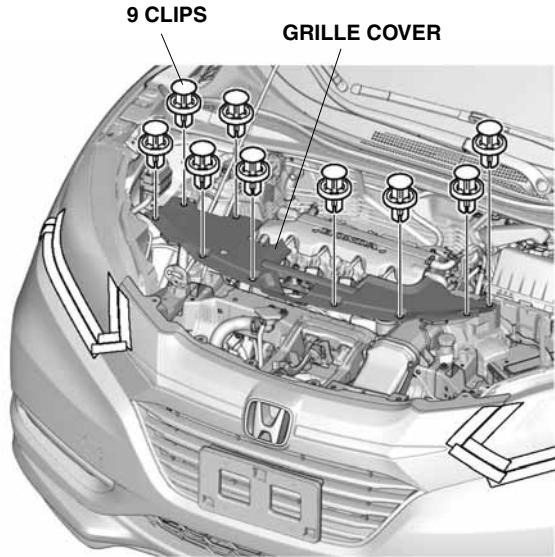
**Customer Information:** The information in this installation instruction is intended for use only by skilled technicians who have the proper tools, equipment, and training to correctly and safely add equipment to your vehicle. These procedures should not be attempted by "do-it-yourselfers."

1. Disconnect the negative cable from the battery.
2. Remove the front bumper:
  - Wrap a shop towel around the lever.
  - Attach tape to the areas shown on each side.



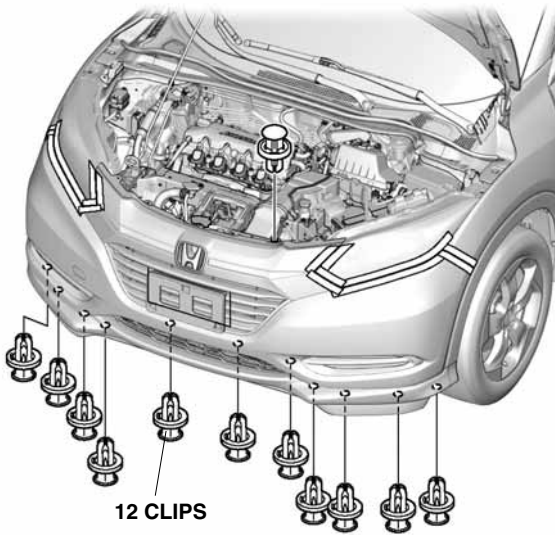
QD41501BH

- Remove the grille cover.



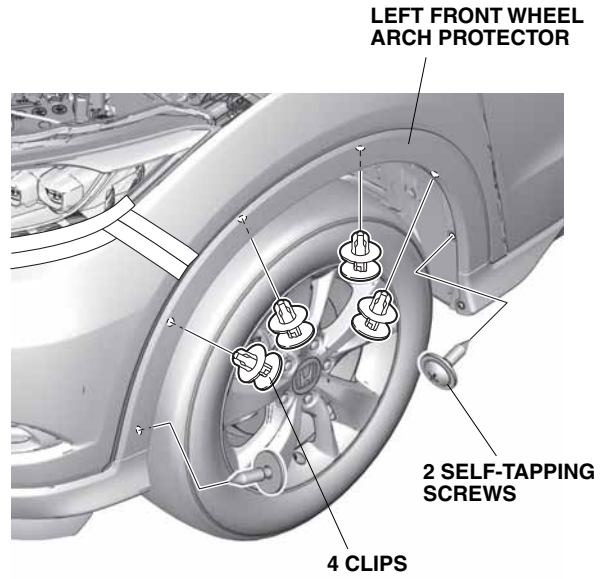
QD41502BH

- Remove the 12 clips.



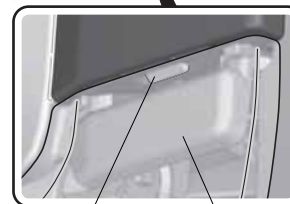
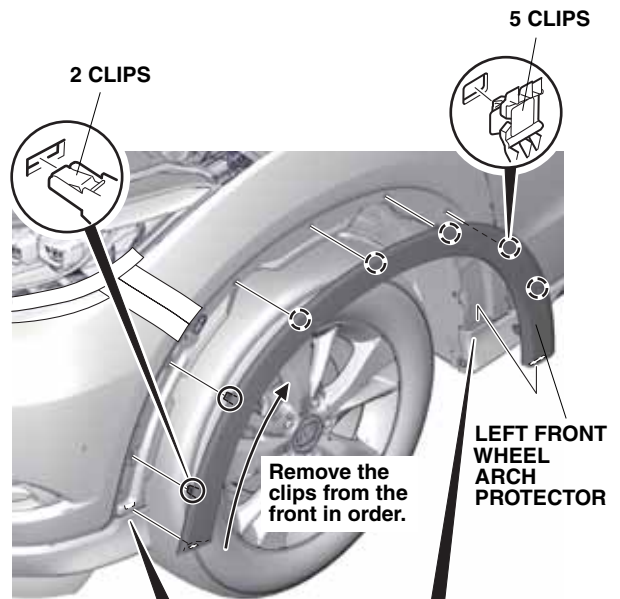
QD41503BH

- Remove four clips and two self-tapping screws on each side.



QC72104AH

- Remove the front wheel arch protector on each side.



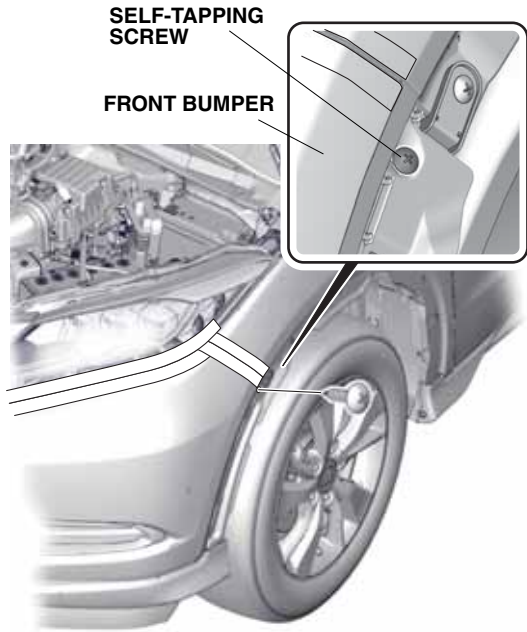
RETAINING TAB (Remove first.)



FRONT BUMPER LEFT SIDE SILL TRIM

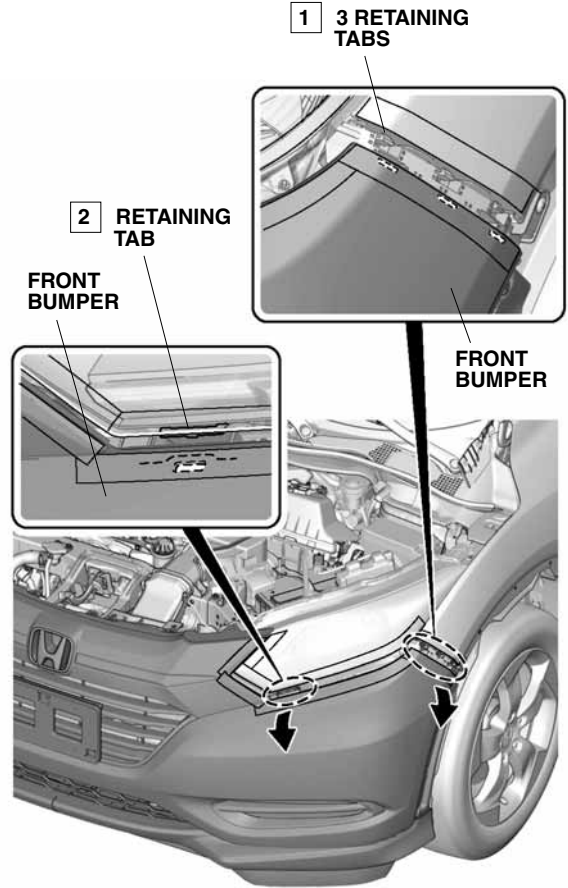
QC72105CH

- Remove the self-tapping screw on each side.



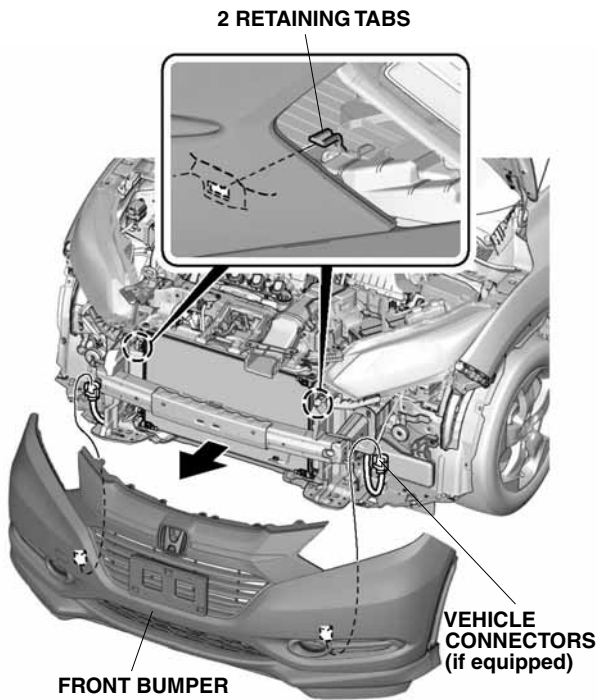
QD41504AH

- Release four retaining tabs on each side.



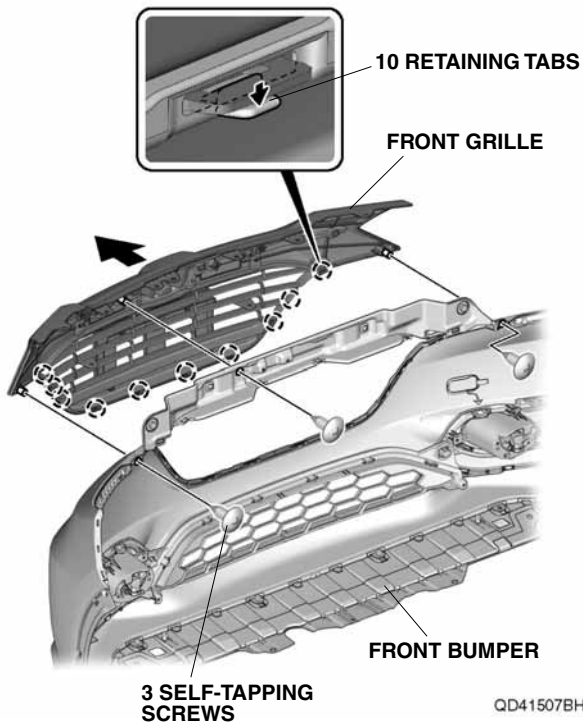
QD41505BH

- With the help of an assistant, remove the front bumper and unplug the vehicle connectors, if equipped. Place the front bumper on the blanket to prevent damage.



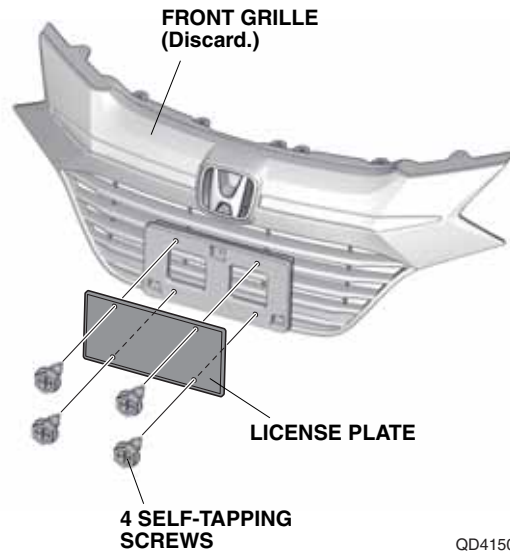
QD41506BH

3. Remove the front grille from the front bumper.



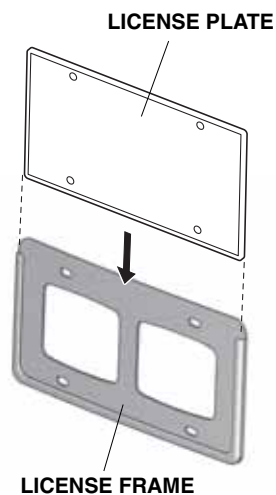
QD41507BH

4. Remove the license plate.



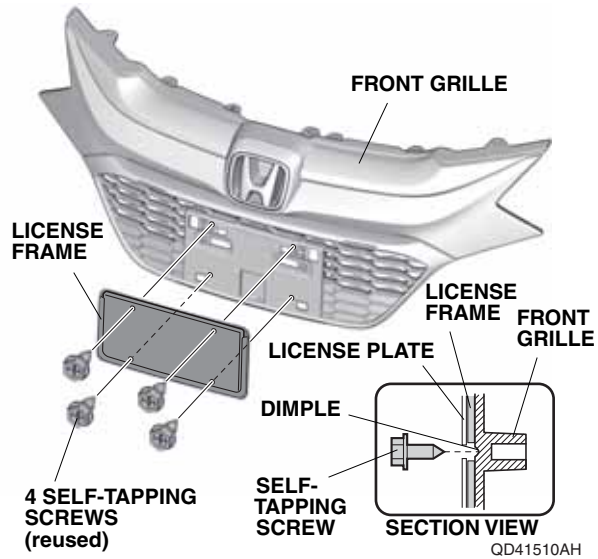
QD41508AH

5. Install the license plate to the license frame.

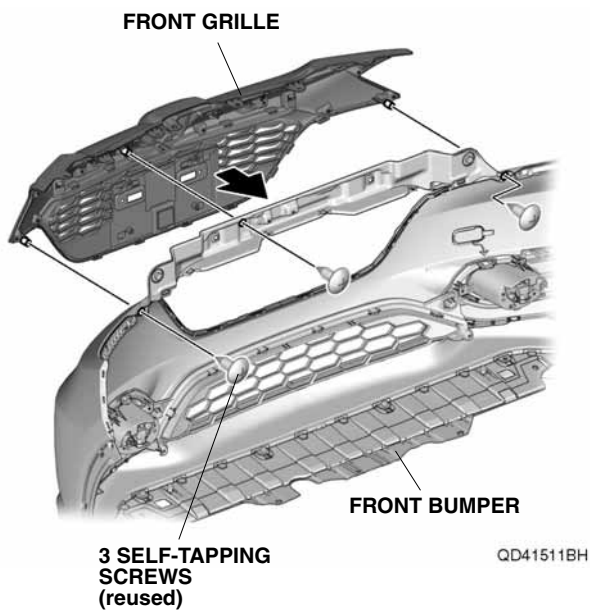


QD41509AH

6. Attach the license frame to the front grille.



7. Install the front grille on the front bumper.



8. Check that all wire harnesses are routed properly and all connectors are plugged in.

9. Install all removed parts.
10. Connect the negative cable to the battery.
11. Press and hold the audio unit power button for two seconds to restore the audio and navi (if equipped) system functions.
12. Set the clock on vehicles without navigation.
13. If necessary restore the systems back to normal operation as described in the service information.