



# INSTALLATION INSTRUCTIONS

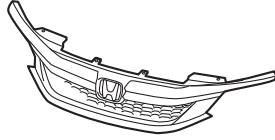
Accessory  
**FRONT GRILLE**  
P/N 08F21-T2F-100

Application  
**2016 ACCORD**  
4-DOOR

Publications No.  
**VERSION 1**  
Issue Date  
**AUG 2015**

## PARTS LIST

Front grille



## TOOLS AND SUPPLIES REQUIRED

Phillips screwdriver

Masking tape

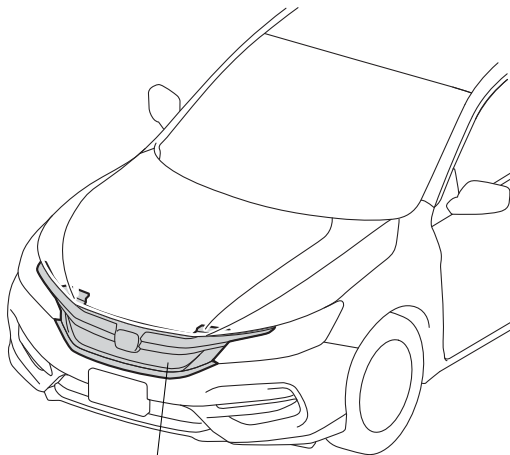
Blanket

10 mm Open end wrench

*The following tool is available through the Honda Tool and Equipment Program. On the iN, click on Service > Service Bay > Tool and Equipment Program, then enter the number under "Search". Or, call 888-424-6857.*

- Trim Tool Set (T/N SOJATP2014)

### Illustration of the Front Grille on the Vehicle



**FRONT GRILLE**

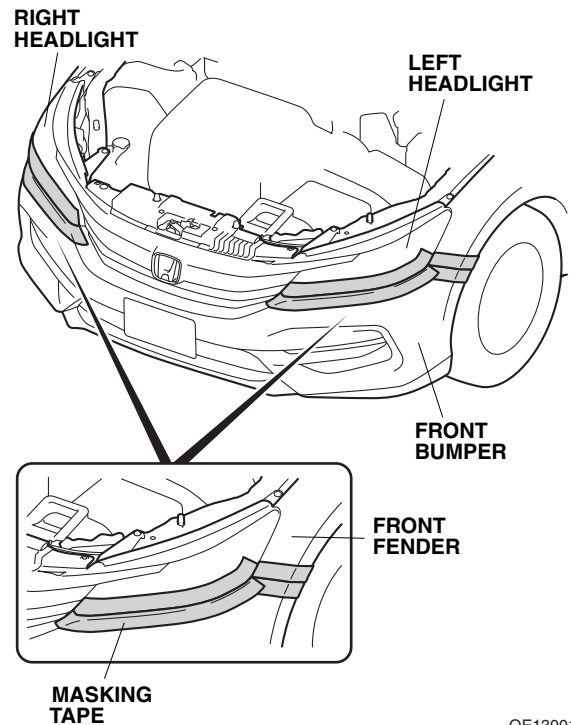
QE20901AG

## INSTALLATION

**Customer Information:** The information in this installation instruction is intended for use only by skilled technicians who have the proper tools, equipment, and training to correctly and safely add equipment to your vehicle. These procedures should not be attempted by "do-it-yourselfers."

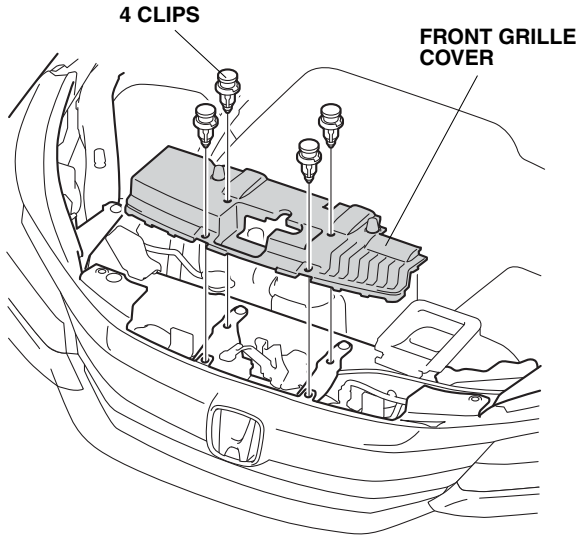
**NOTE:** Be careful not to damage the paint finish.

1. Disconnect the negative cable from the battery.
2. Attach masking tape to the front bumper, headlights and front fenders as shown.



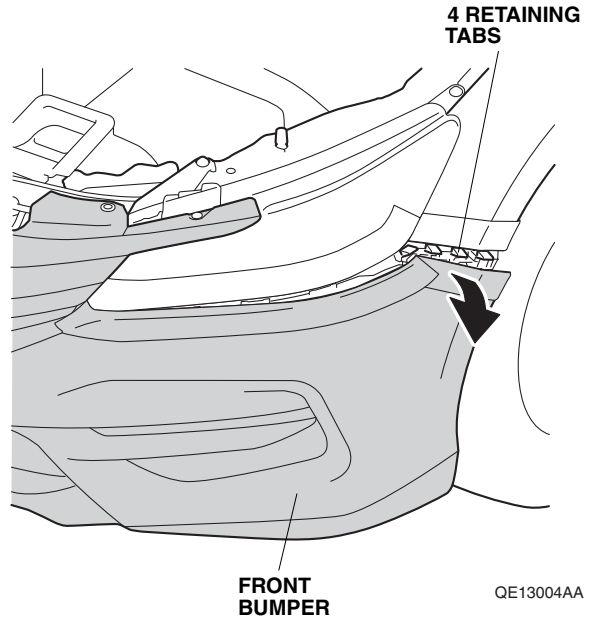
QE13001AA

3. Remove the front grille cover.



QE13002AA

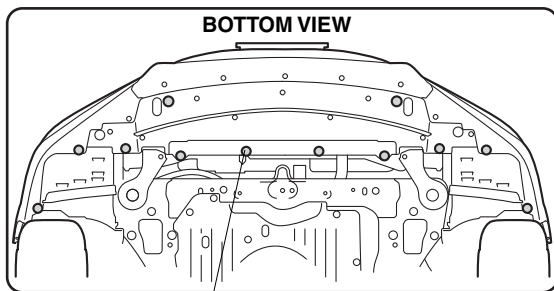
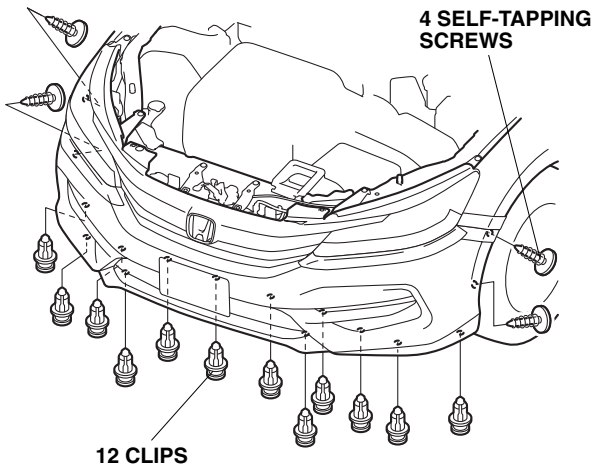
• Release the four retaining tabs on each side.



QE13004AA

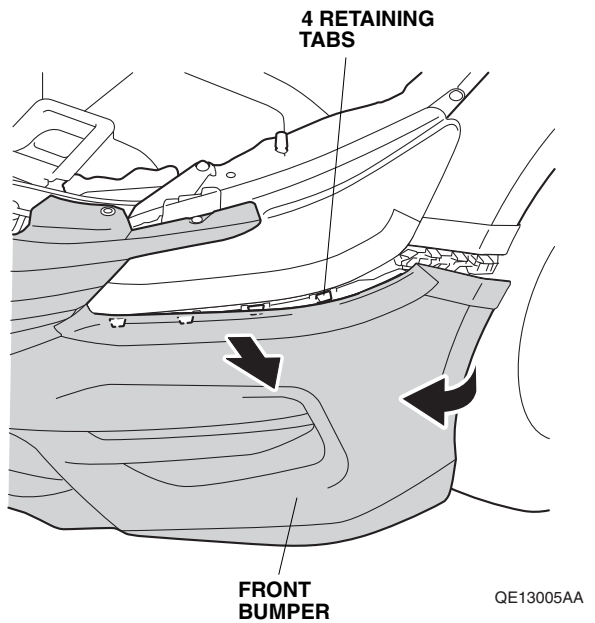
4. Remove the front bumper.

- Remove the four self-tapping screws, twelve clips.



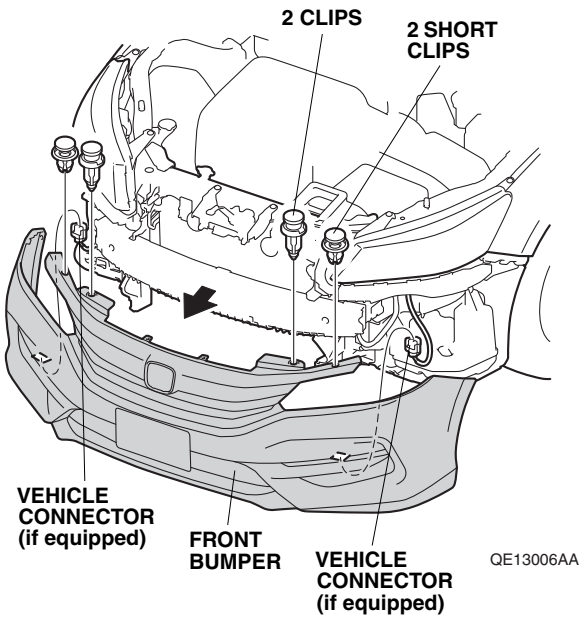
QE13003AA

• Release the four retaining tabs on each side.

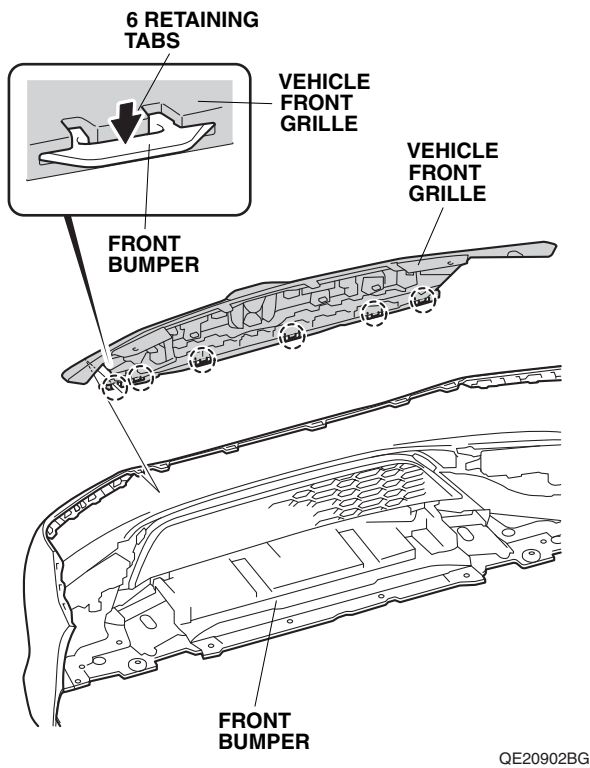


QE13005AA

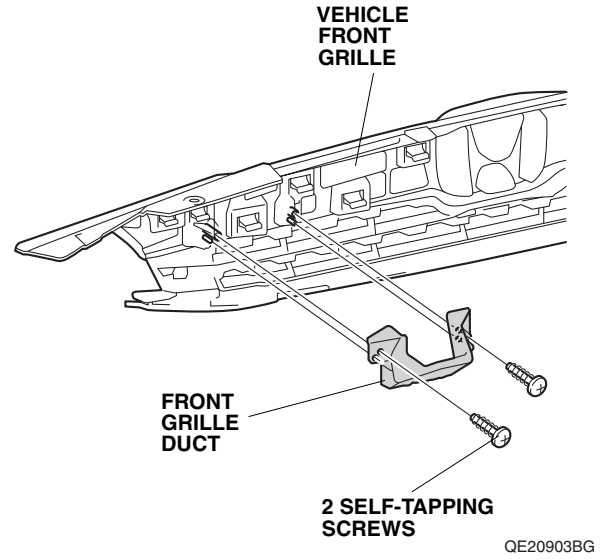
- Remove the two clips and two short clips.
- With the help of an assistant, remove the front bumper.
- Place the front bumper on a blanket.



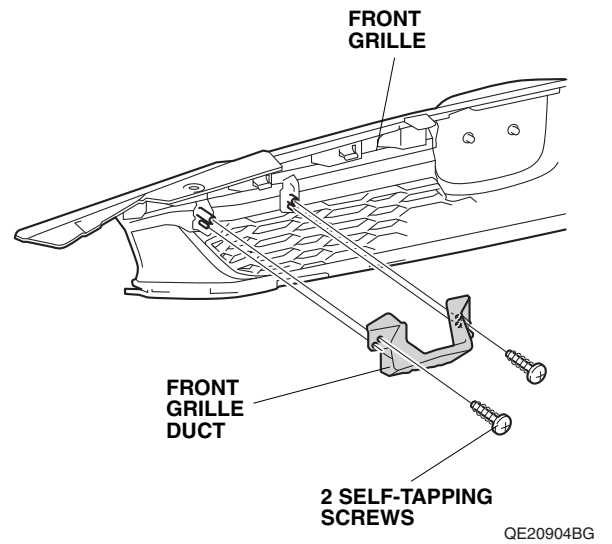
5. Remove the vehicle front grille.



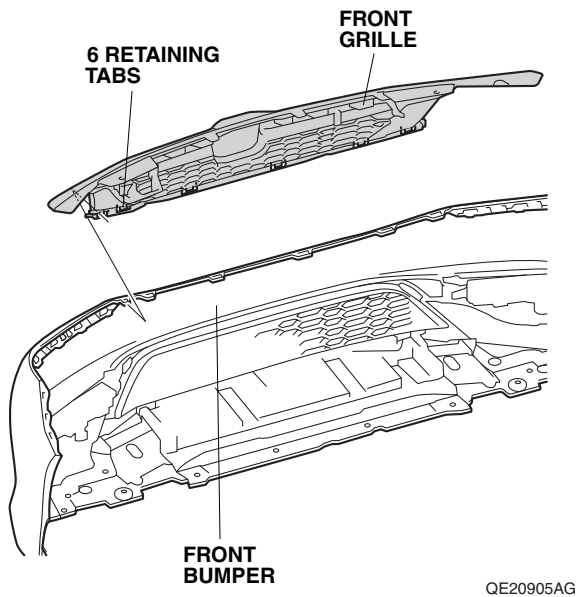
6. Remove the front grille duct.



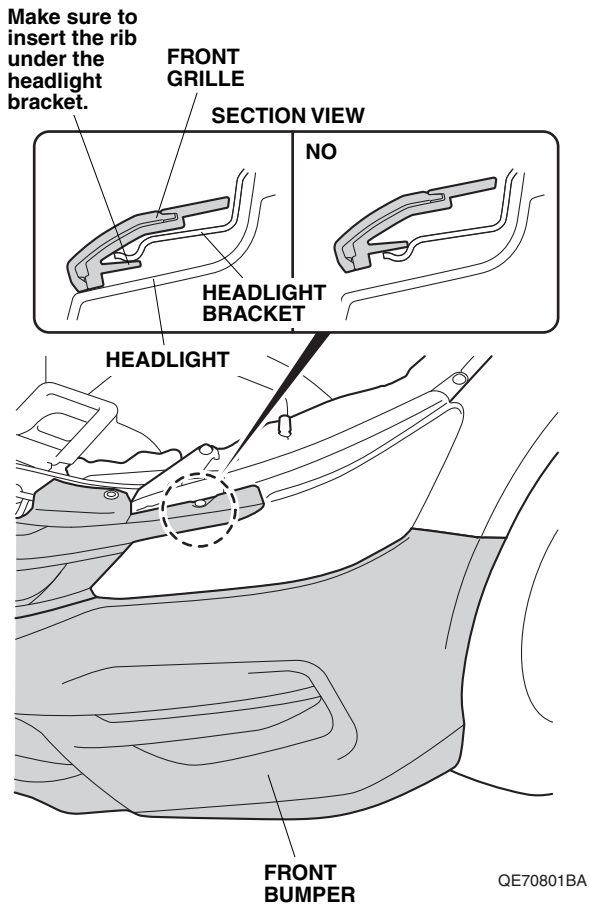
7. Install the front grille duct to the front grille with the two self-tapping screws removed in step 6.



8. Install the front grille on the front bumper with the six retaining tabs.



9. With the help of an assistant, install the front bumper.



10. Check that all wire harnesses are routed properly and all connectors are plugged in.
11. Install all removed parts.
12. Connect the negative cable to the battery.
13. Press and hold the audio unit power button for two seconds to restore the audio and navi; (if equipped) system functions.
14. Reset the clock (vehicles without navigation).