

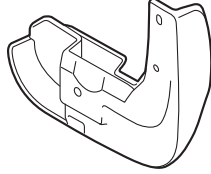


INSTALLATION INSTRUCTIONS

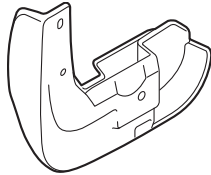
Accessory SPLASH GUARDS P/N 08P00-TR0-100A	Application 201) CIVIC 4-DOOR	Publications No. J9FGCB%
		Issue Date G9DH&\$%

PARTS LIST

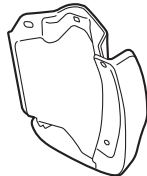
Left front splash guard



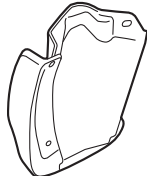
Right front splash guard



Left rear splash guard



Right rear splash guard



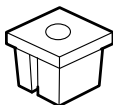
10 Self-tapping screws, 5 x 25 mm



2 Spring nuts



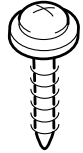
2 Grommets A



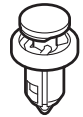
2 Grommets B



2 Self-tapping screws, 5 x 30 mm



3 Clips
(Some may not be used)



TOOLS AND SUPPLIES REQUIRED

Phillips screwdriver

Stubby Phillips screwdriver

Small flat-tip screwdriver

Drill

3 mm, 6 mm, and 10 mm Drill bits

File

Eye protection (face shield, safety goggles, etc.)

Pushpin

High-quality paste wax

The following tool is available through the Honda Tool and Equipment Program. On the iN, click on: Service > Service Bay > Tool and Equipment Program, then enter the number under "Search". Or, call 888-424-6857.

- Trim Tool Set (T/N SOJATP2014)

INSTALLATION

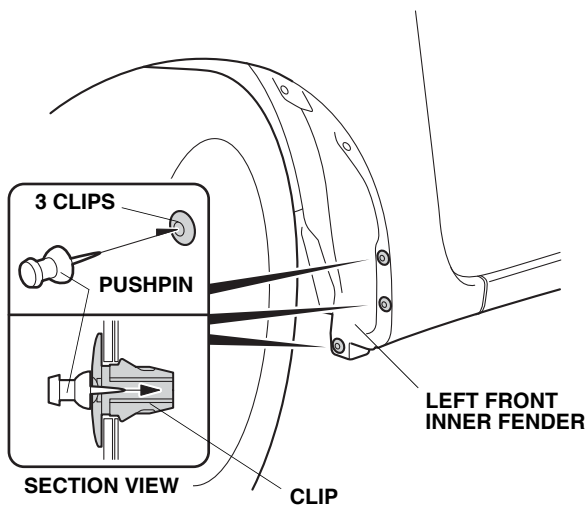
Customer Information: The information in this installation instruction is intended for use only by skilled technicians who have the proper tools, equipment, and training to correctly and safely add equipment to your vehicle. These procedures should not be attempted by “do-it-yourselfers.”

NOTE:

- Be careful not to damage the paint finish.
- These instructions show the left splash guards being installed. The same procedure applies to installing the right splash guards.
- Clean and wax the areas to be covered with a high-quality paste wax.

Installing the Front Splash Guards

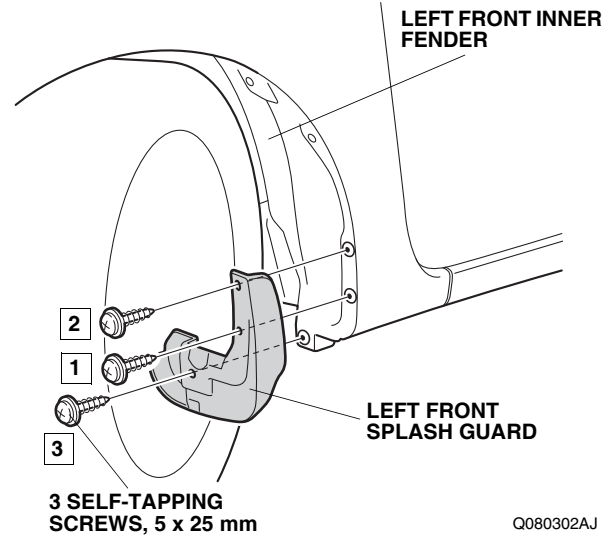
1. Turn the steering wheel fully counterclockwise.



Q080301BJ

2. Using a pushpin, pierce the centers of the three clips shown on the left front inner fender.

3. Secure the left front splash guard with three 5 x 25 mm self-tapping screws in the order shown below. NOTE: Make sure there is no gap between the left front splash guard and the vehicle body. If there is a gap, loosen the self-tapping screws, hold the splash guard against the body, and retighten the screws.

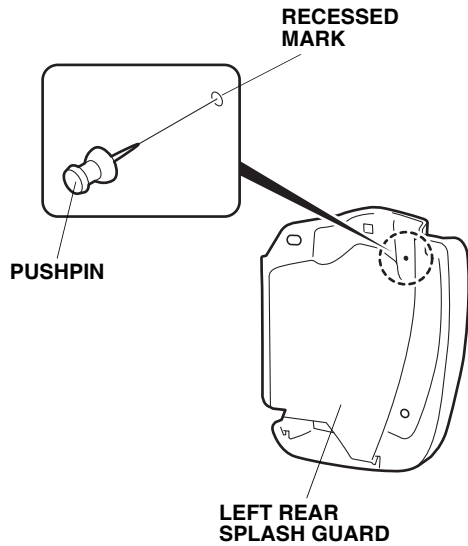


Q080302AJ

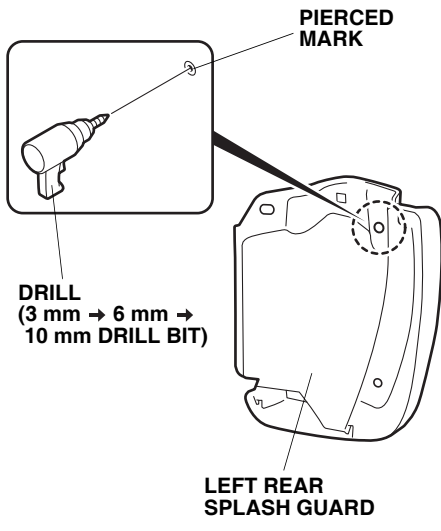
4. Turn the steering wheel fully clockwise, and repeat steps 2 and 3 to install the right front splash guard on the right side of the vehicle.

Installing the Left Rear Splash Guard

- Locate the recessed mark. Using a pushpin, pierce the left rear splash guard at the recessed mark.



- While wearing eye protection, drill the left rear splash guard at the pierced mark using a 3 mm drill bit first, then with a 6 mm drill bit. Finish drilling using a 10 mm drill bit.

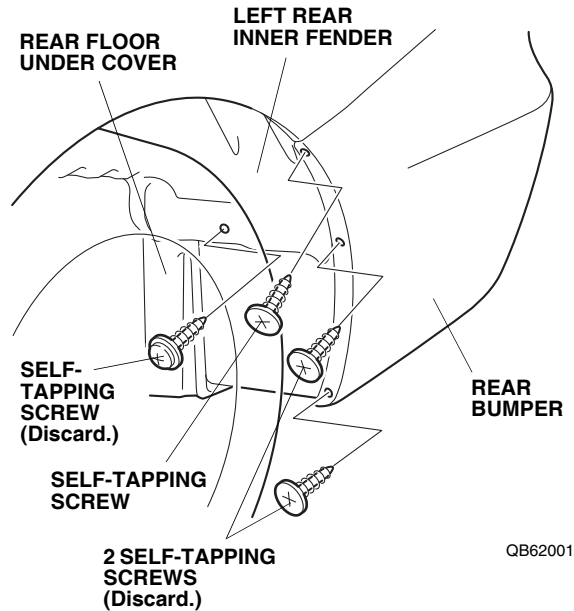


- Remove any burrs from the edges of the hole with a file.

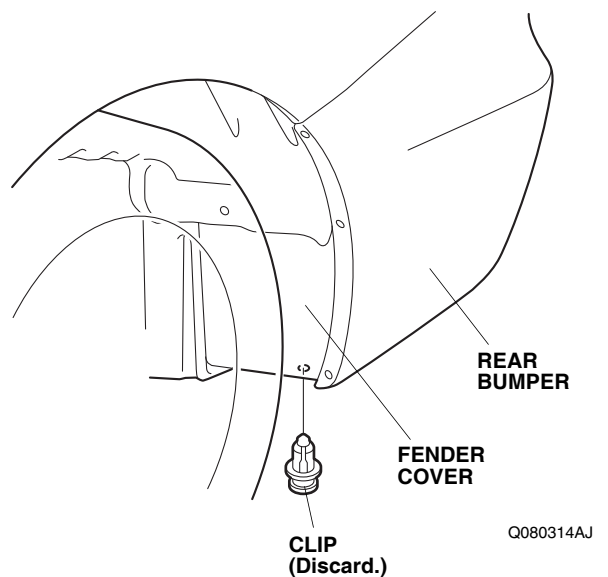
If the vehicle is equipped with rear floor under cover, continue with step 8. If not, continue with step 21.

With rear floor under cover

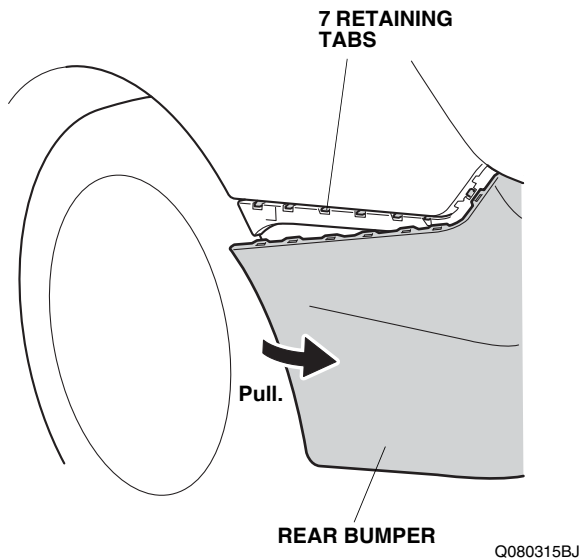
- Remove four self-tapping screws from the rear bumper and the left rear inner fender.



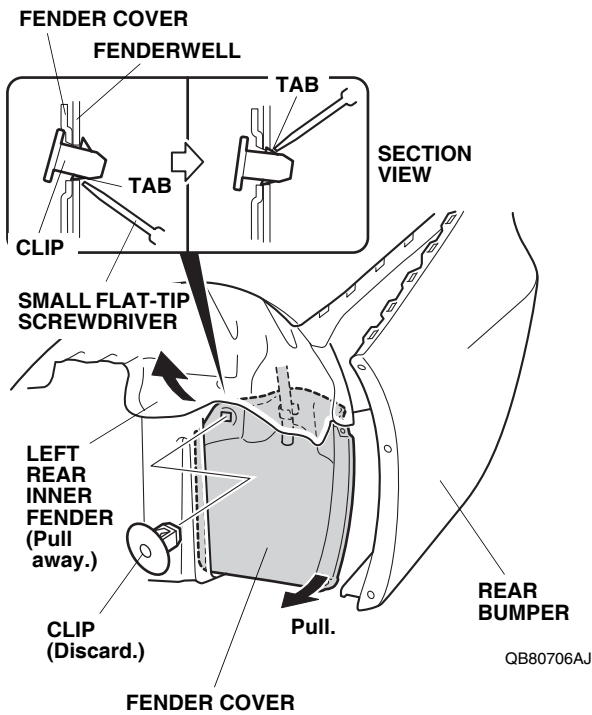
- Remove one clip from the fender cover.



10. Pull the rear bumper away from the body, and release the seven retaining tabs.

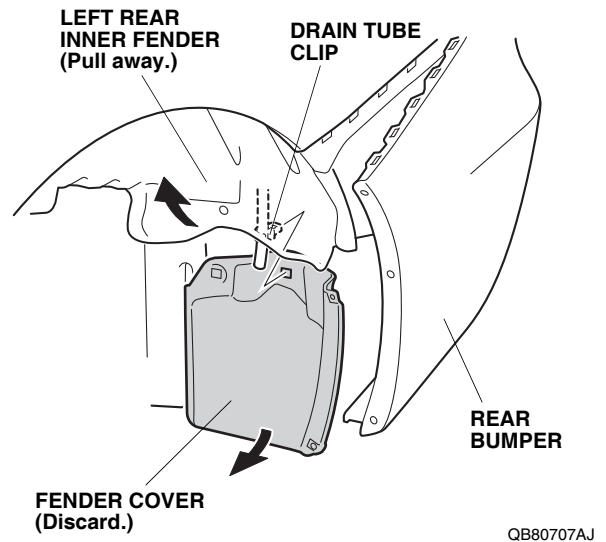


11. To remove the clip, pull the fender cover forward.

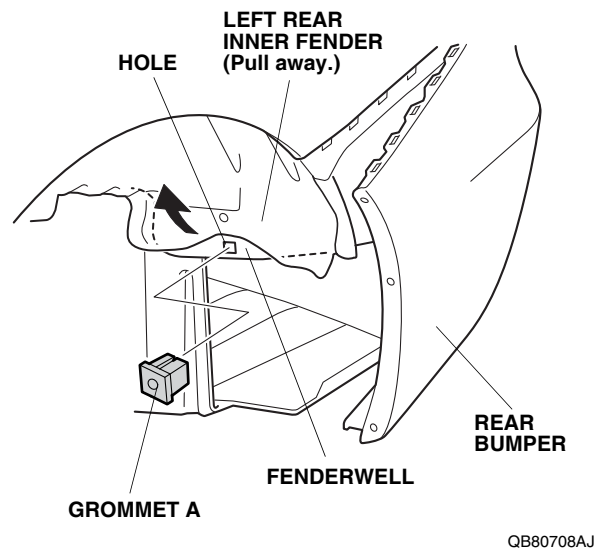


12. Working inside the fenderwell, use a small flat-tip screwdriver to release the tabs on the clip, then remove the clip with a trim tool.

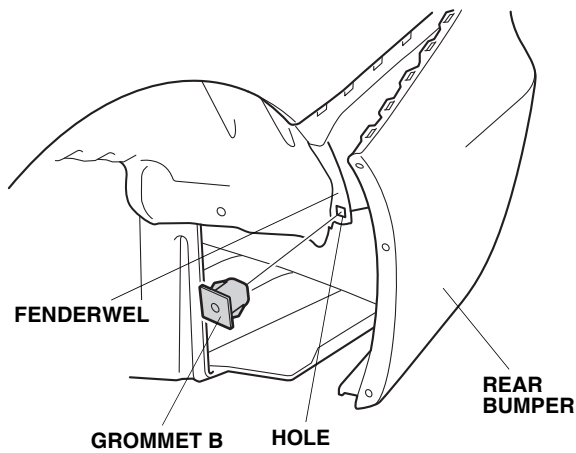
13. Remove the fender cover (one drain tube clip).



14. Install one grommet A into the hole in the fenderwell.

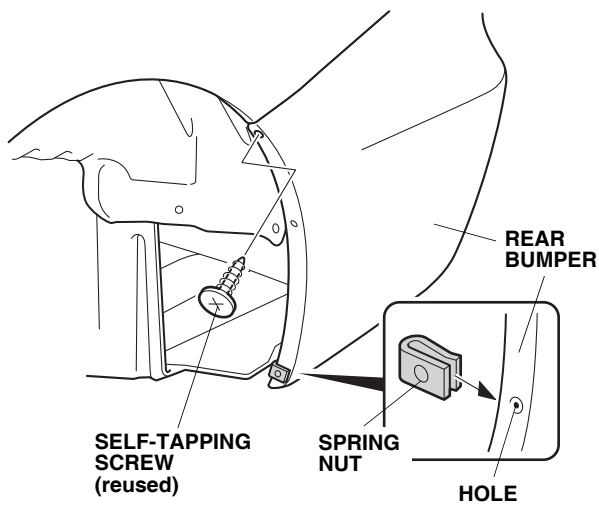


15. Install one grommet B into the hole in the fenderwell.



Q080319AJ

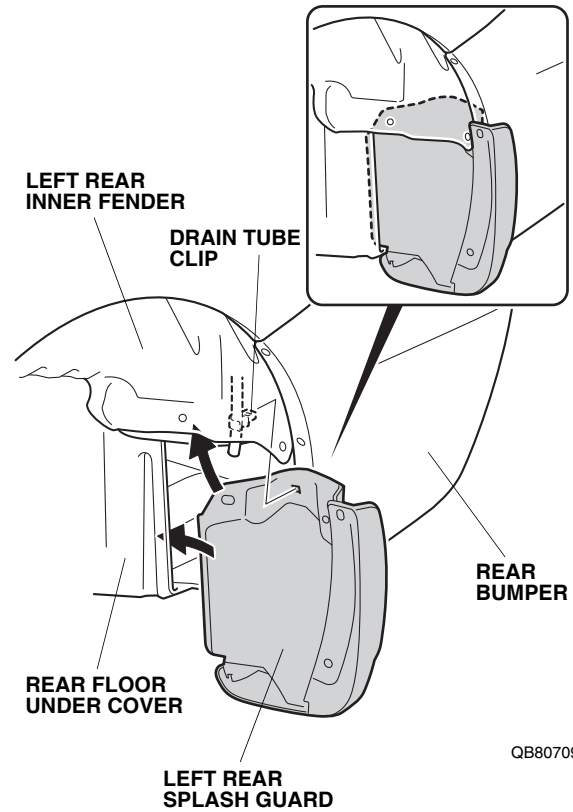
16. Reinstall the rear bumper onto the retaining tabs, and reinstall one self-tapping screw.



QB62002AJ

17. Install one spring nut over the hole in the rear bumper. Make sure to install the spring nut in the correct position and orientation.

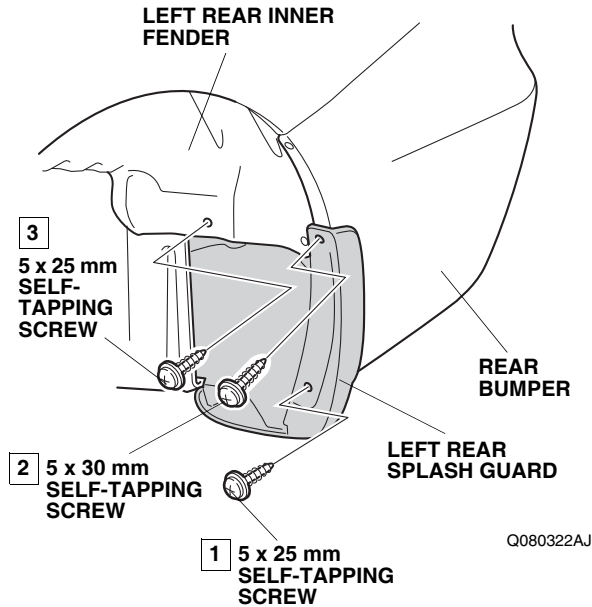
18. Attach the left rear splash guard on the inner side of the rear floor under cover and the left rear inner fender, and install the drain tube clip to the left rear splash guard.



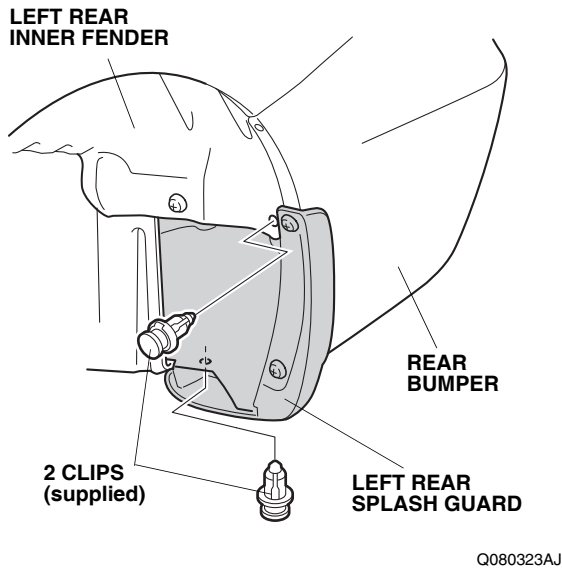
QB80709AJ

19. Secure the left rear splash guard with two 5 x 25 mm self-tapping screws and one 5 x 30 mm self-tapping screw in the order shown below.

NOTE: Make sure there is no gap between the left rear splash guard and the bumper. If there is a gap, loosen the self-tapping screws, hold the splash guard against the bumper, and retighten the screws.

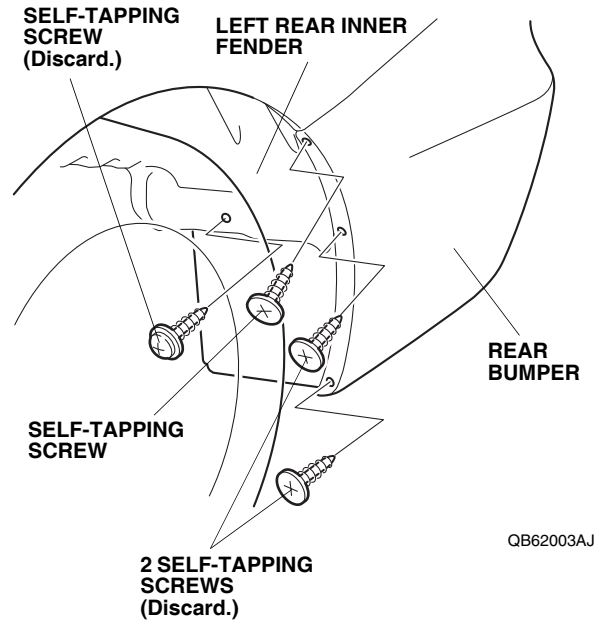


20. Secure the left rear splash guard with two new clips. Go to step 32.

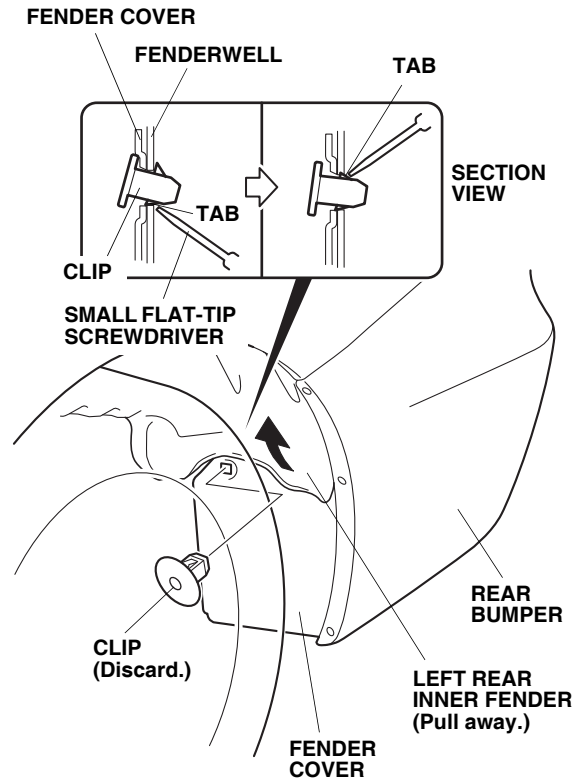


Without rear floor under cover

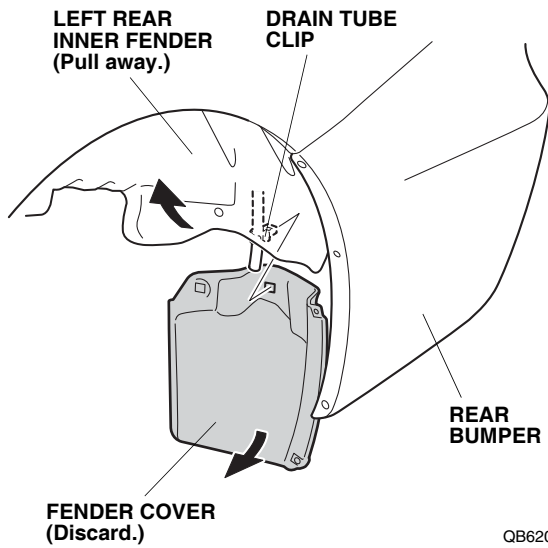
21. Remove four self-tapping screws from the rear bumper and the left rear inner fender.



22. Working inside the fenderwell, use a small flat-tip screwdriver to release the tabs on the clip, then remove the clip with a trim tool.

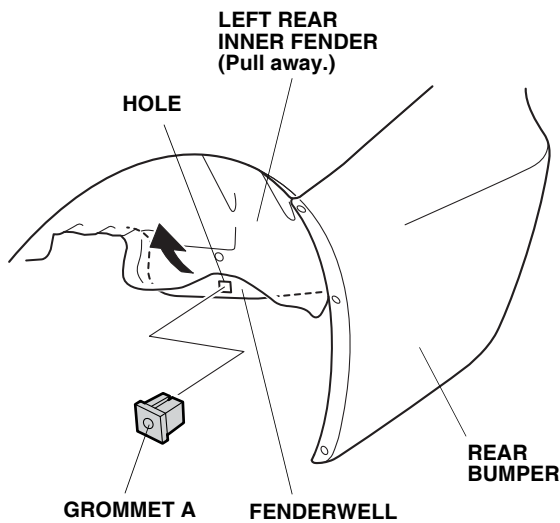


23. Remove the fender cover (one drain tube clip).



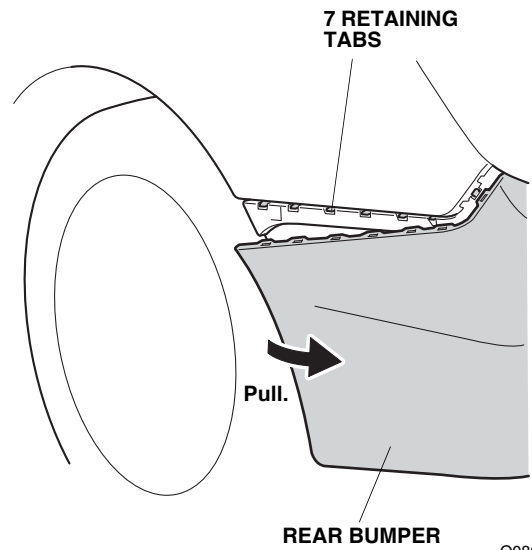
QB62005BJ

24. Install one grommet A into the hole in the fenderwell.



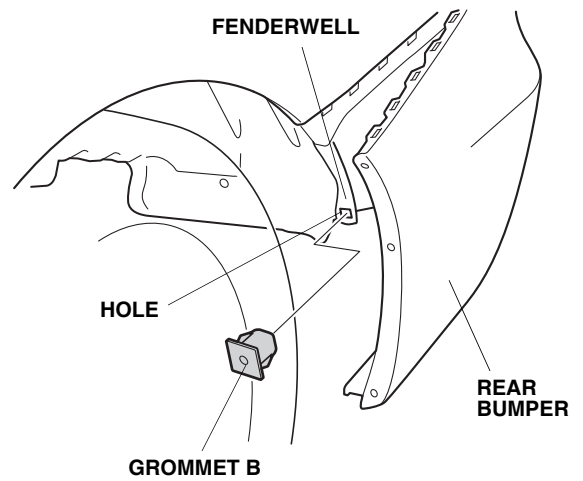
QB62006BJ

25. Pull the rear bumper away from the body, and release the seven retaining tabs.



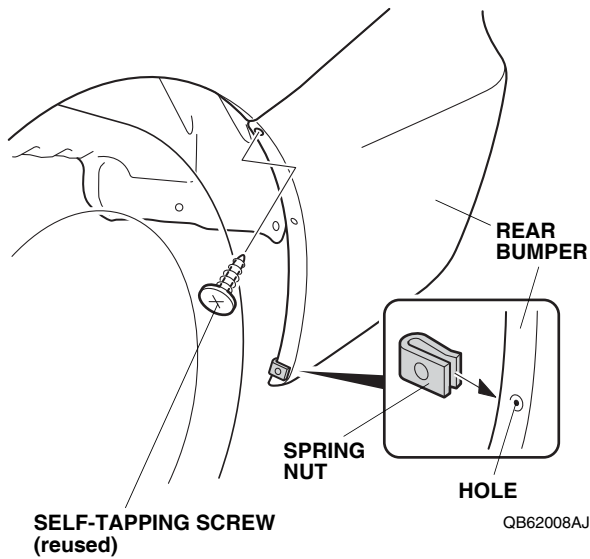
Q080315BJ

26. Install one grommet B into the hole in the fenderwell.

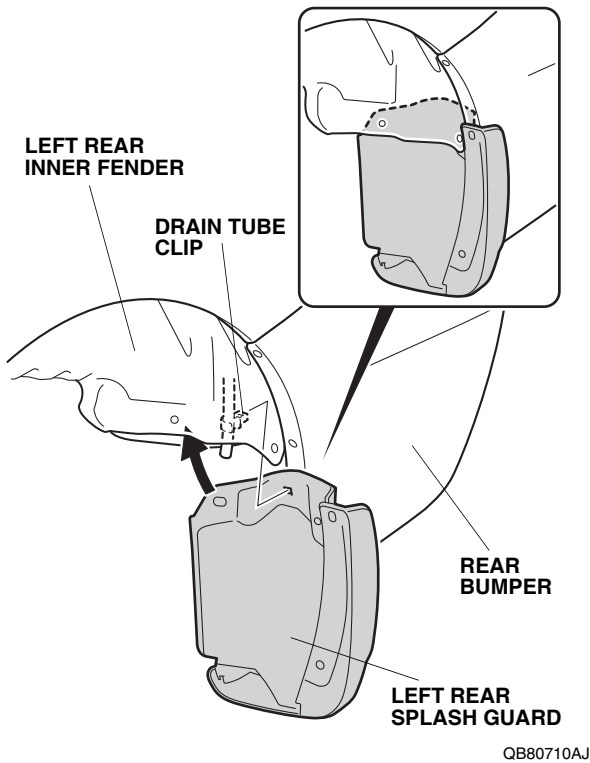


QB62007AJ

27. Reinstall the rear bumper onto the retaining tabs, and reinstall one self-tapping screw.

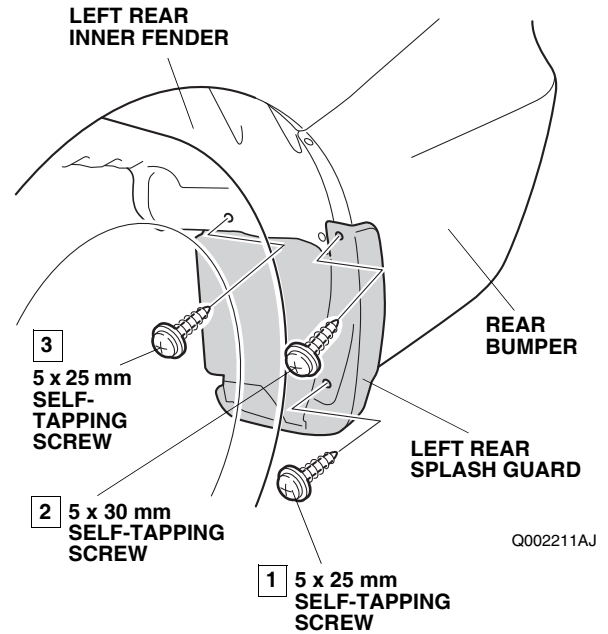


28. Install one spring nut over the hole in the rear bumper. Make sure to install the spring nut in the correct position and orientation.
29. Attach the left rear splash guard on the inner side of the left rear inner fender, and install the drain tube clip to the left rear splash guard.

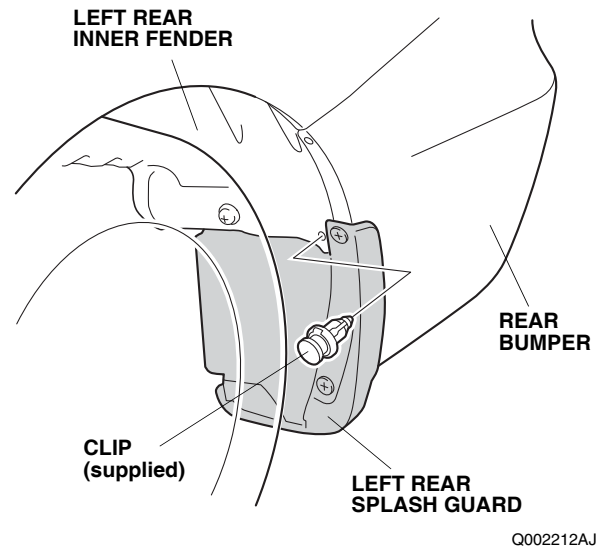


30. Secure the left rear splash guard with two 5 x 25 mm self-tapping screws and one 5 x 30 mm self-tapping screw in the order shown below.

NOTE: Make sure there is no gap between the left rear splash guard and the bumper. If there is a gap, loosen the self-tapping screws, hold the splash guard against the bumper, and retighten the screws.

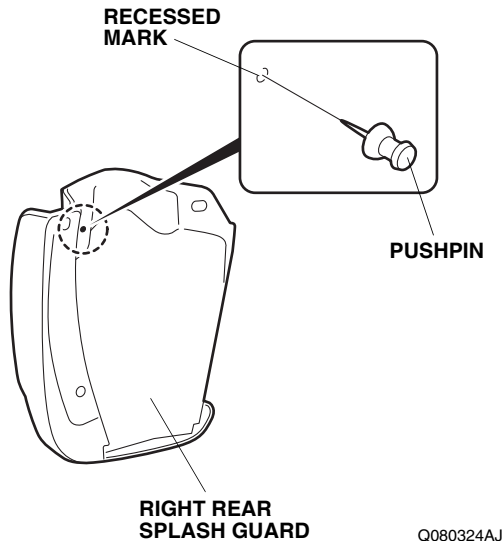


31. Secure the left rear splash guard with one new clip.

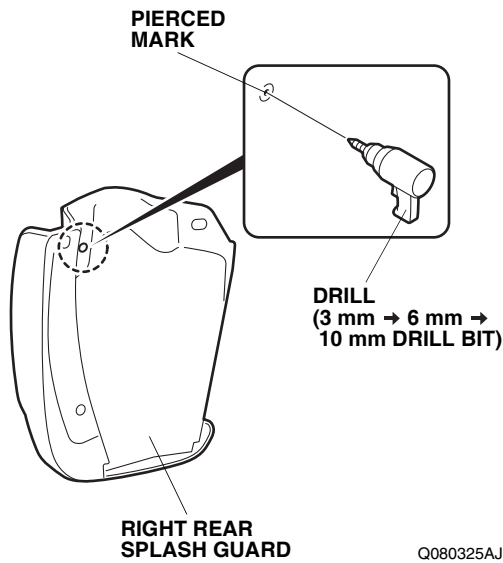


Installing the Right Rear Splash Guard

32. Locate the recessed mark. Using a pushpin, pierce the right rear splash guard at the recessed mark.

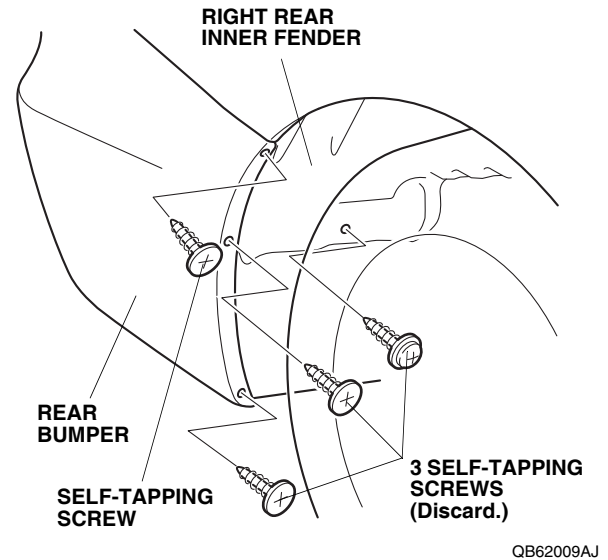


33. While wearing eye protection, drill the right rear splash guard at the pierced mark using a 3 mm drill bit first, then with a 6 mm drill bit. Finish drilling using a 10 mm drill bit.

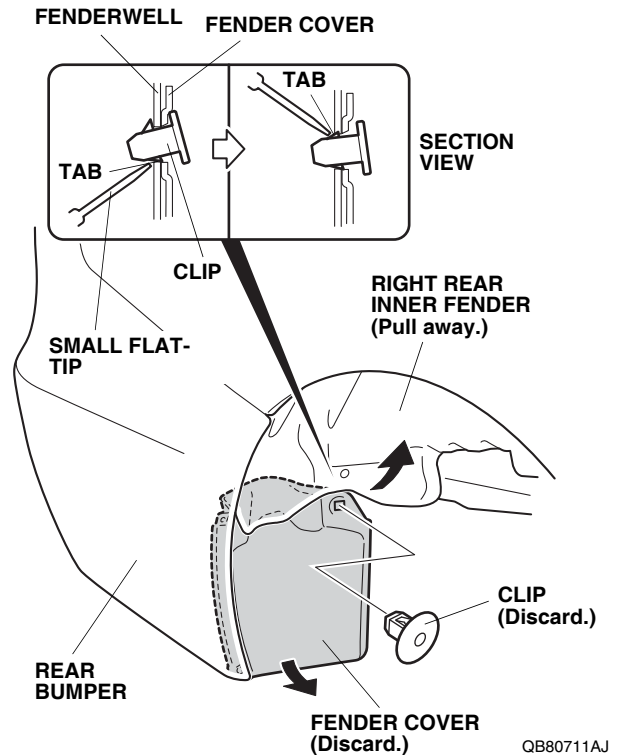


34. Remove any burrs from the edges of the hole with a file.

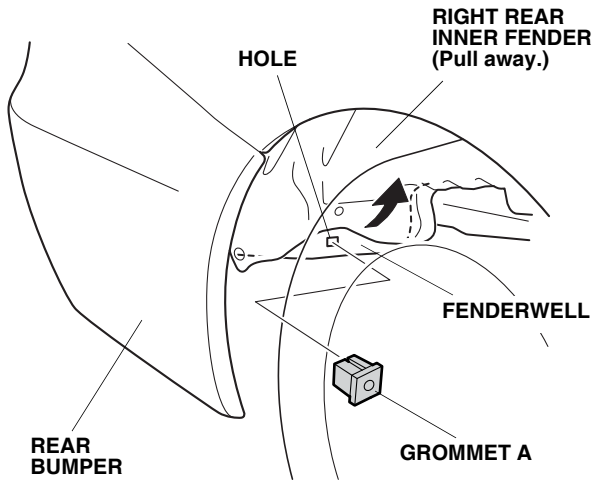
35. Remove four self-tapping screws from the rear bumper and the right rear inner fender.



36. Working inside the fenderwell, use a small flat-tip screwdriver to release the tabs on the clip, then remove the clip with a trim tool. Remove the fender cover.

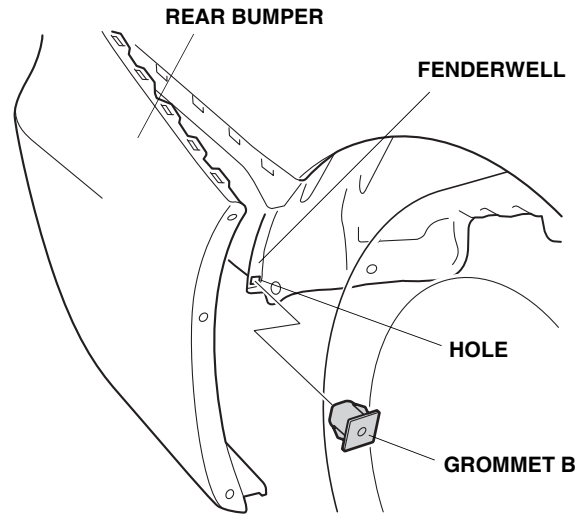


37. Install one grommet A into the hole in the fenderwell.



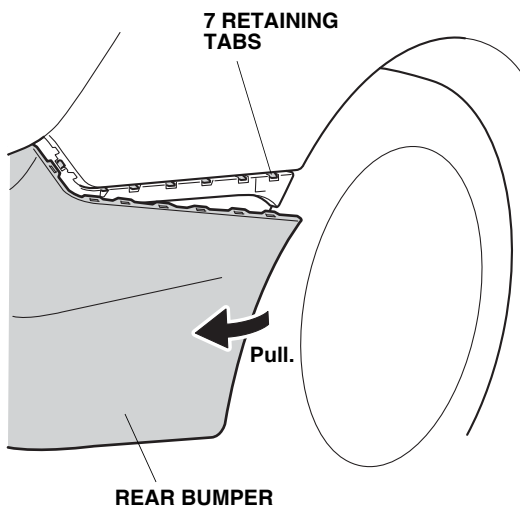
QB80712AJ

39. Install one grommet B into the hole in the fenderwell.



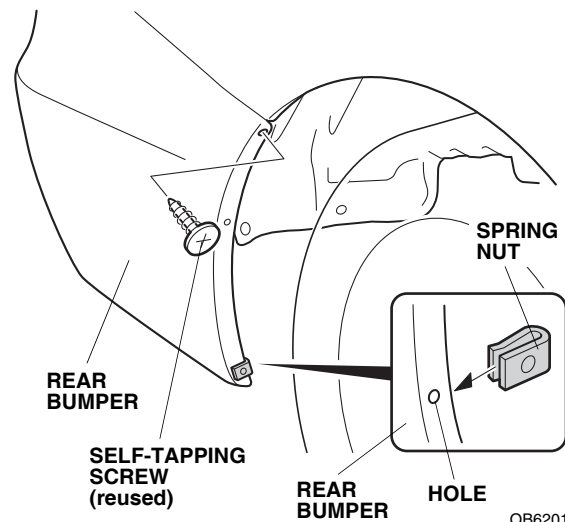
QB62010AJ

38. Pull the rear bumper away from the body, and release the seven retaining tabs.



Q080333AJ

40. Reinstall the rear bumper onto the retaining tabs, and reinstall one self-tapping screw.

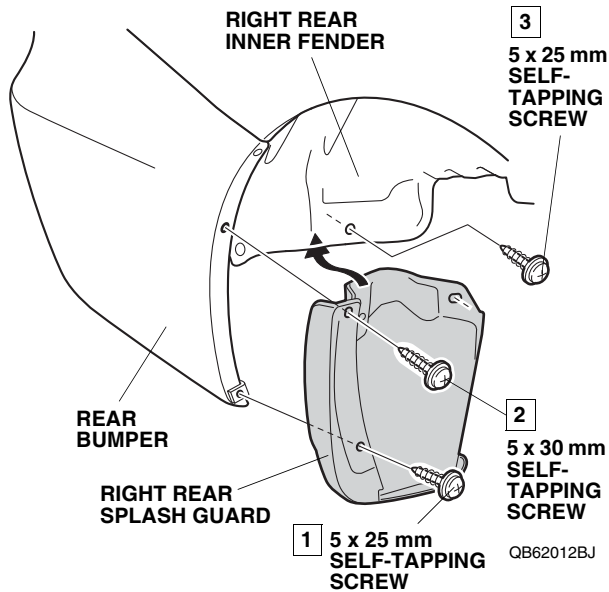


QB62011AJ

41. Install one spring nut over the hole in the rear bumper. Make sure to install the spring nut in the correct position and orientation.

42. Attach the right rear splash guard on the inner side of the right rear inner fender, and secure the right rear splash guard with two 5 x 25 mm self-tapping screws and one 5 x 30 mm self-tapping screw in the order shown below.

NOTE: Make sure there is no gap between the right rear splash guard and the bumper. If there is a gap, loosen the self-tapping screws, hold the splash guard against the bumper, and retighten the screws.



43. Secure the right rear splash guard with one new clip.

