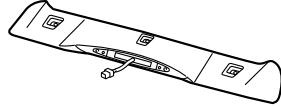


## PARTS LIST

Tailgate spoiler



Center cover



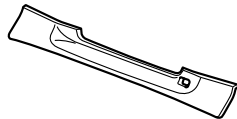
Right cover



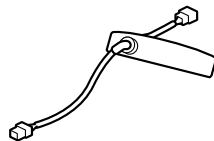
Left cover



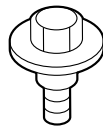
High-mount cover



Spoiler harness



3 Bolts



3 Jack nuts



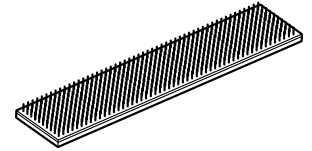
3 Nylon washers



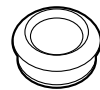
3 Adhesive sealing washers



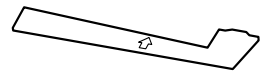
2 Hook and loop fasteners



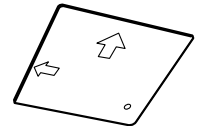
Rubber plug (Clear)



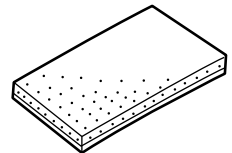
Template A



Template B



2 EPT sealers



2 Flange nuts



2 Truss screws



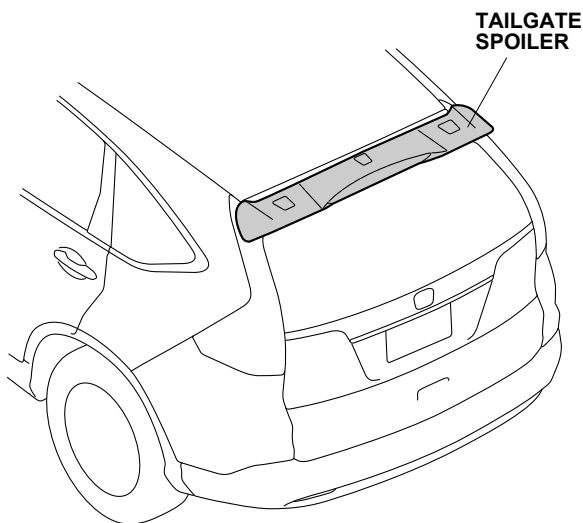
6 x 20 mm Washer-screw



## TOOL AND SUPPLIES REQUIRED

Phillips screwdriver  
Masking tape  
Felt-tip pen  
Centerpunch  
Touch-up paint  
Isopropyl alcohol  
Shop towel  
Drill  
3 mm Drill bit  
11 mm Hole saw (T/N BLR11201SO)  
File  
Utility knife  
Eye protection (safety goggles, face shield, etc.)  
10 mm and 14 mm Open end wrenches  
Torque wrench  
Ratchet  
8 mm and 10 mm Sockets  
Jack nut tool  
Scissors  
Ruler  
*Plastic Trim Tool (T/N SILTRIMTL10)*  
*Available through the Honda Tool and Equipment Program. On the iN, click on: Service/Service Bay/ Tool and Equipment Program, then enter the number under "Search." Or call 888-424-6857.*

### Illustration of the Tailgate Spoiler on the Vehicle

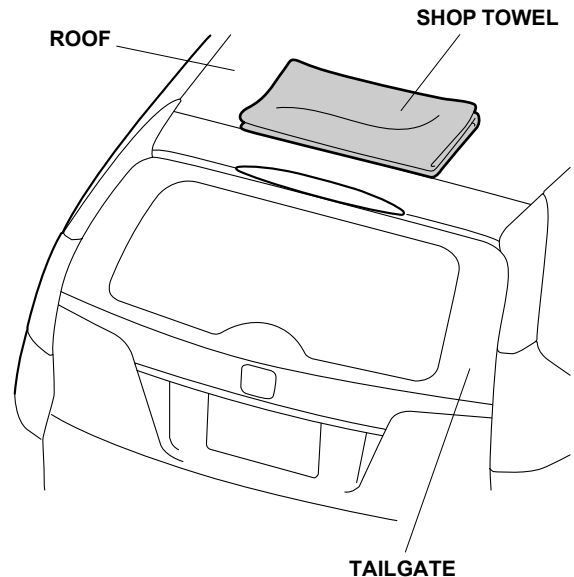


## INSTALLATION

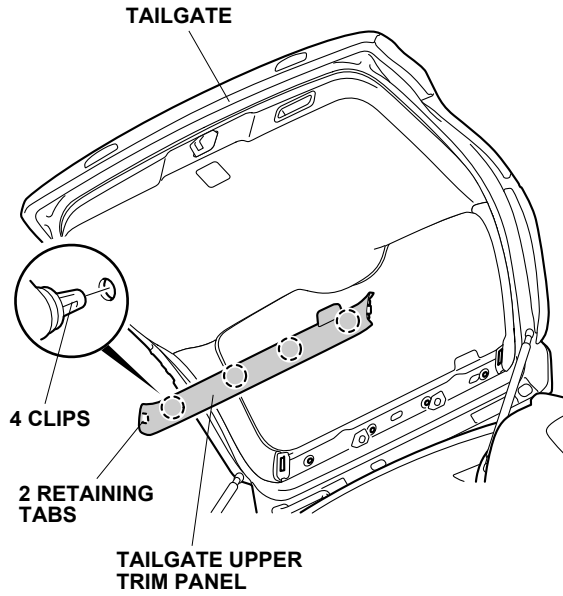
**Customer Information:** The information in this installation instruction is intended for use only by skilled technicians who have the proper tools, equipment, and training to correctly and safely add equipment to your vehicle. These procedures should not be attempted by "do-it-yourselfers."

### NOTE:

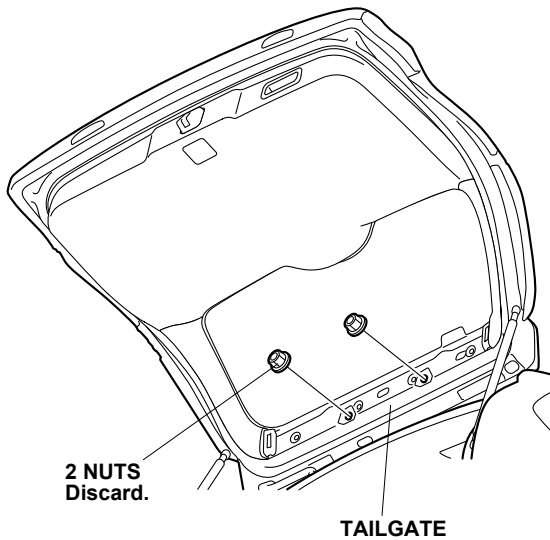
- Do not damage the paint finish.
  - This kit should be installed only if the ambient air temperature is 15°C (60°F) or above.
  - To allow the adhesive to cure, do not wash the vehicle for 24 hours. Please advise the customer.
1. Disconnect the negative cable from the battery.
  2. Put a shop towel on the roof to protect it in case the high-mount brake light should drop during removal.



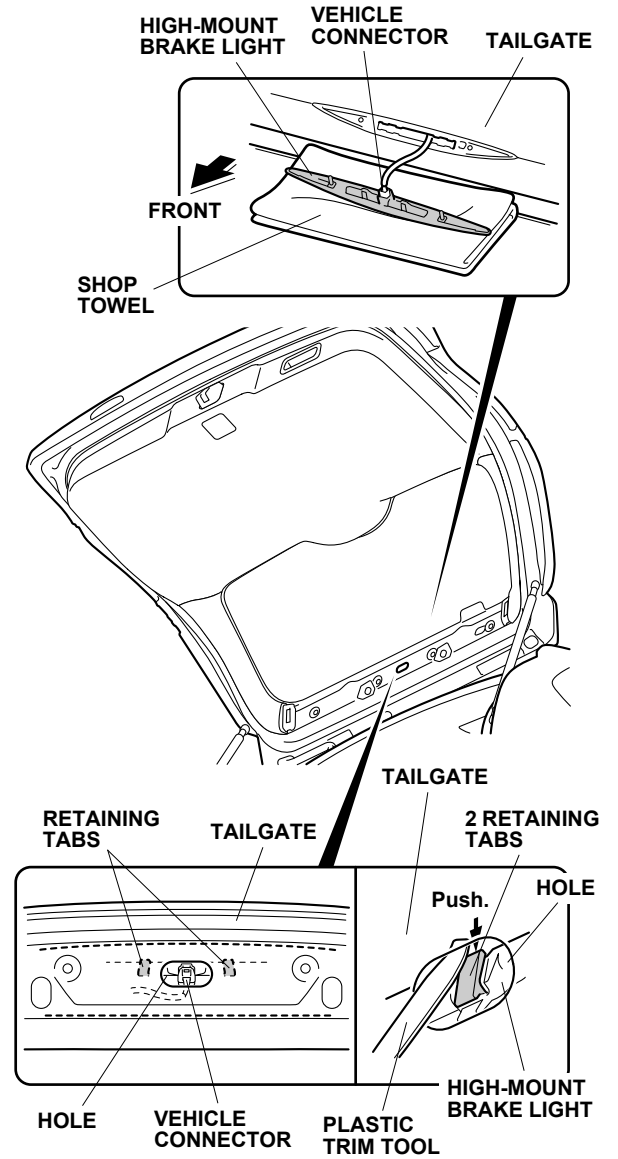
- Open the tailgate. Remove the tailgate upper trim panel.



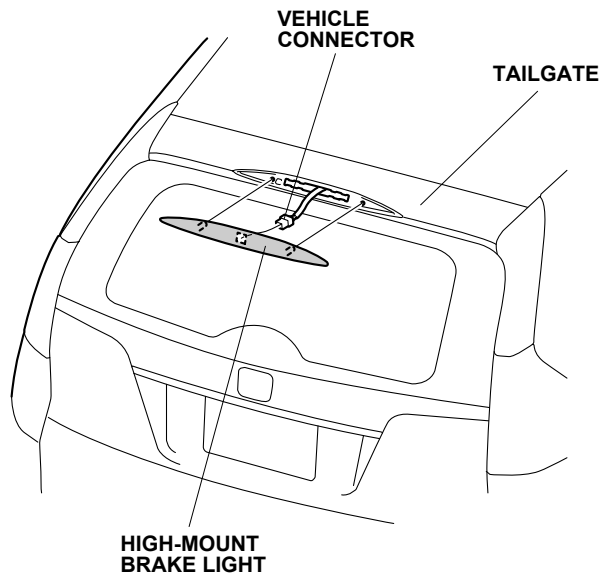
- Remove two nuts that secure the high-mount brake light.



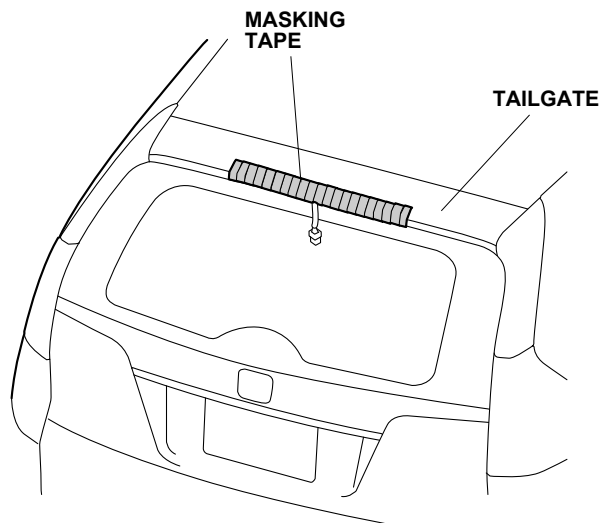
- Remove the high-mount brake light:
  - Insert a plastic trim tool into the hole, and release two retaining tabs.



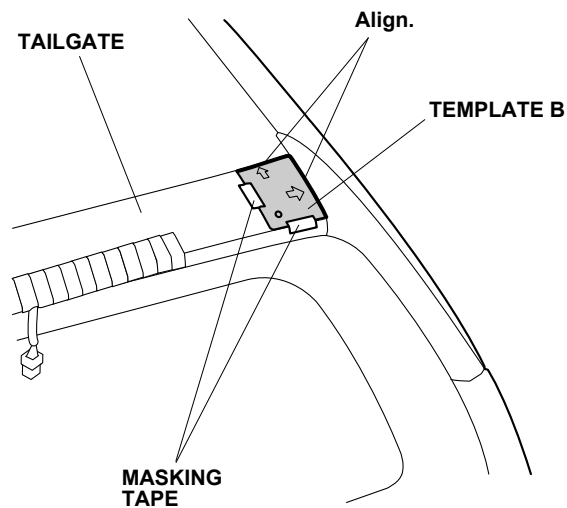
- Gently close the tailgate. Unplug the vehicle connector, then remove the high-mount brake light. Remove the shop towel.



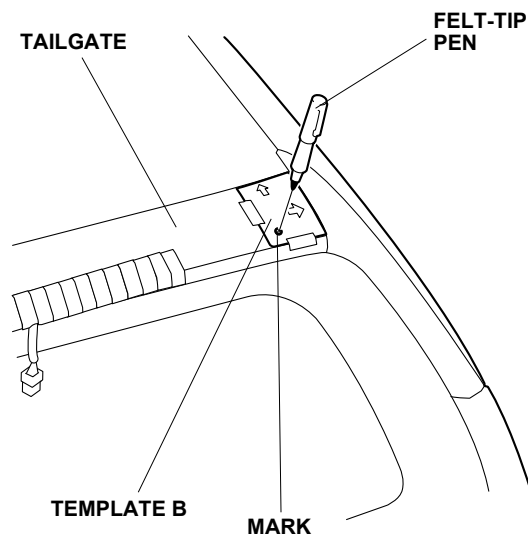
6. To keep metal shavings out of the tailgate, attach masking tape over the high-mount brake light opening.



7. Place template B on the top right corner of the tailgate, and align it to the edge of the tailgate. Secure the template in place with masking tape.

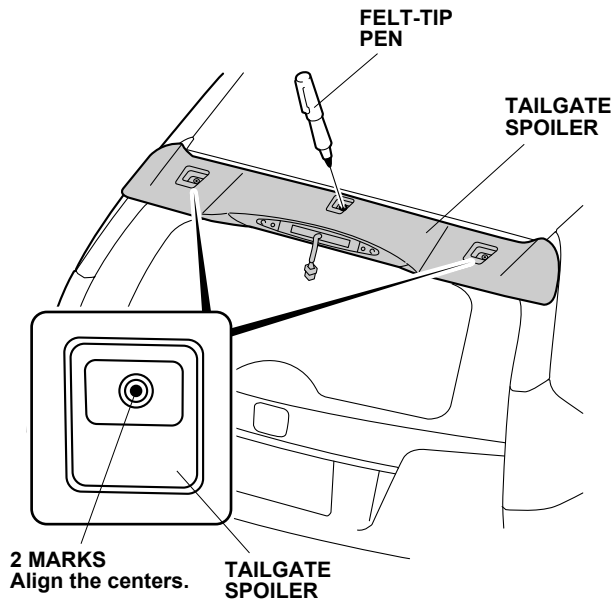


8. Using a felt-tip pen, mark the tailgate through the hole in template B.

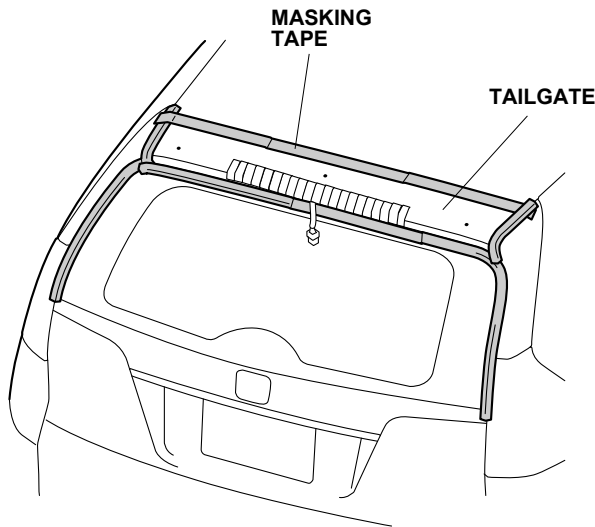


9. Remove the template. Turn the template over, and repeat steps 7 and 8 to mark the left side of the tailgate.

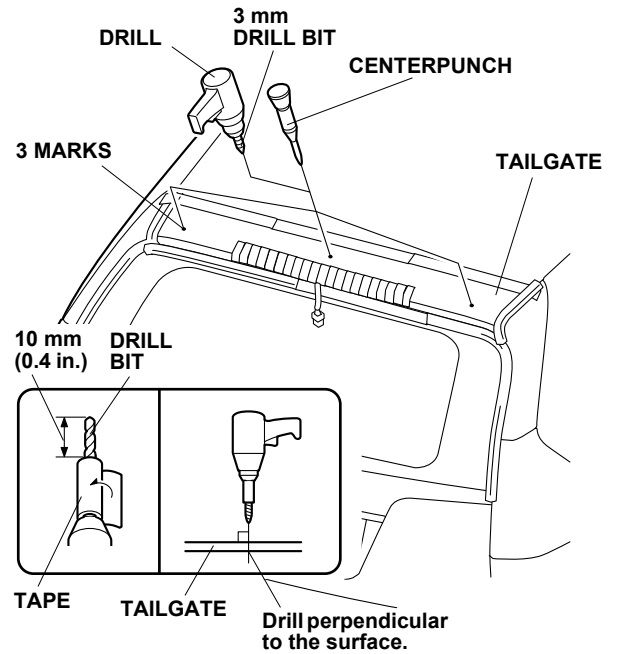
- Gently set the tailgate spoiler on the tailgate. Align the two outboard holes in the tailgate spoiler with the two marks you made on the tailgate. Using a felt-tip pen, mark the tailgate through the center hole in the spoiler. Remove the tailgate spoiler.



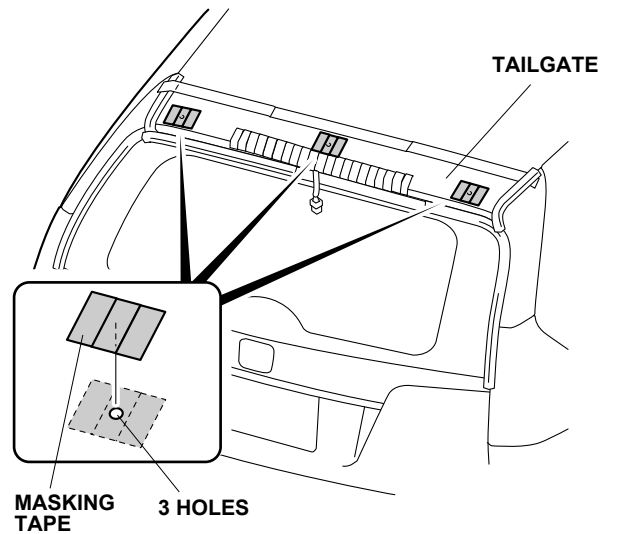
- To prevent metal shavings from entering the cargo area, attach masking tape to the tailgate in the areas shown.



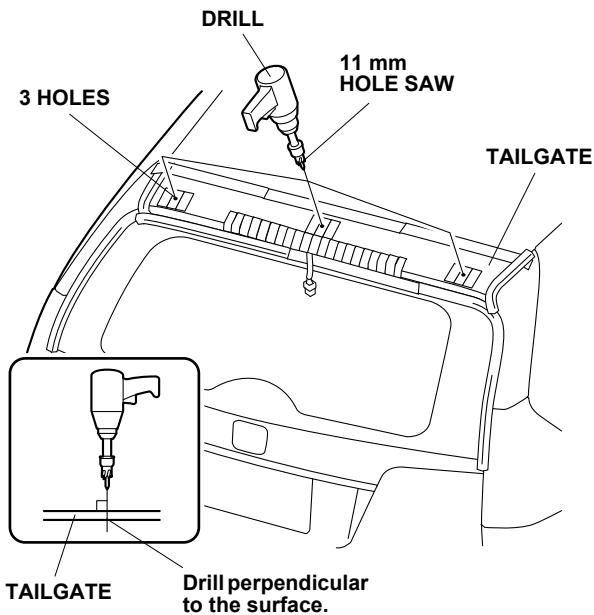
- Gently centerpunch the three marks you made on the tailgate.



- While wearing eye protection, use a 3 mm drill bit to drill the three centerpunched marks on the tailgate. To avoid drilling into the inner panel, wrap tape around each drill bit 10 mm from the tip.
- Apply masking tape over the three holes as shown.



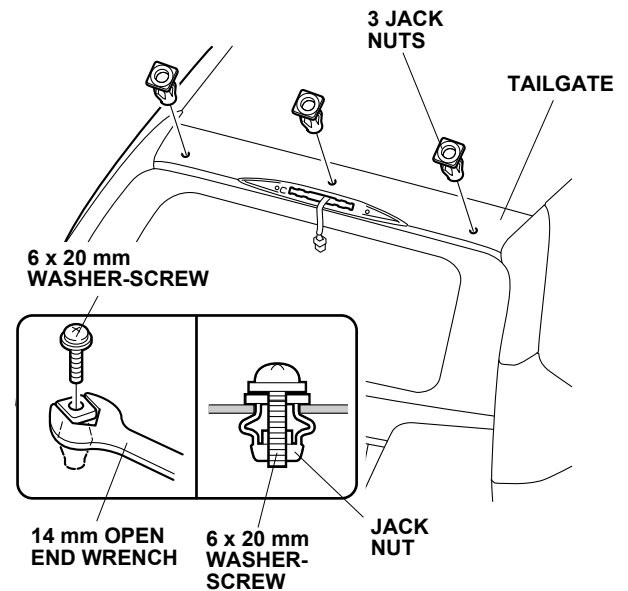
15. While wearing eye protection, use an 11 mm hole saw to enlarge the three holes in the tailgate.



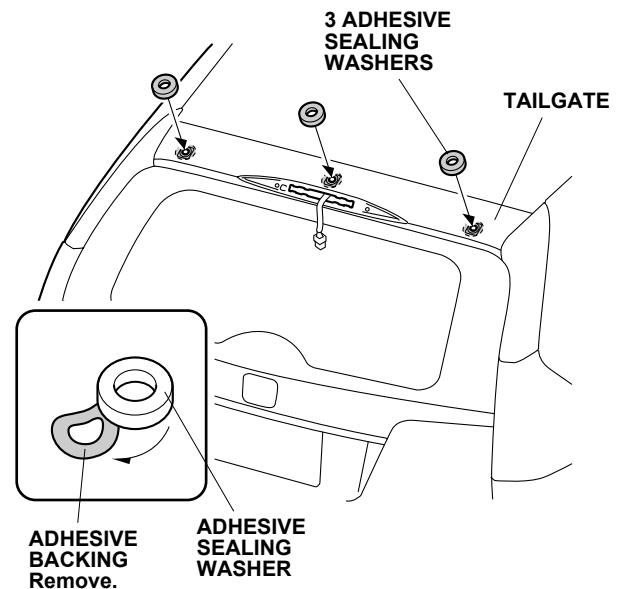
16. Remove all burrs, and apply touch-up paint to the edges of the holes. Allow the touch-up paint to dry before proceeding to the next step.
17. Remove all of the masking tape from the tailgate.

18. Insert a jack nut into each drilled hole. Install the jack nuts using a jack nut tool. If a jack nut tool is not available, install each jack nut this way:

- Thread a 6 x 20 mm washer-screw into the jack nut. While holding the jack nut with a 14 mm open end wrench, tighten the 6 x 20 mm washer-screw.
- Tighten the 6 x 20 mm washer-screw until the jack nut is fully collapsed, then remove the 6 x 20 mm washer-screw.

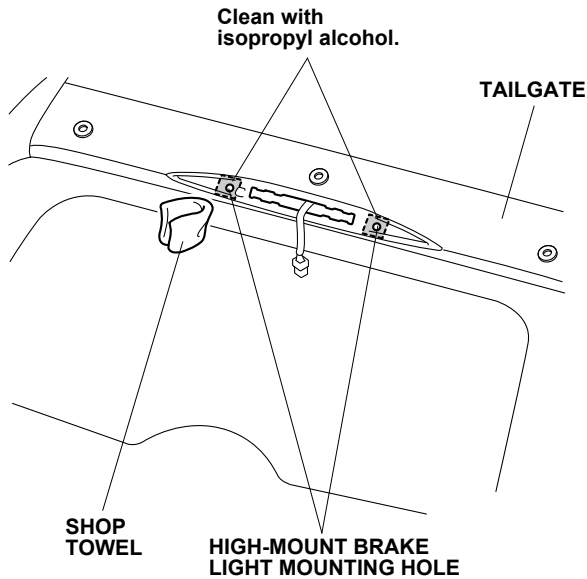


19. Using isopropyl alcohol on a shop towel, clean the tailgate where the three adhesive sealing washers will attach.

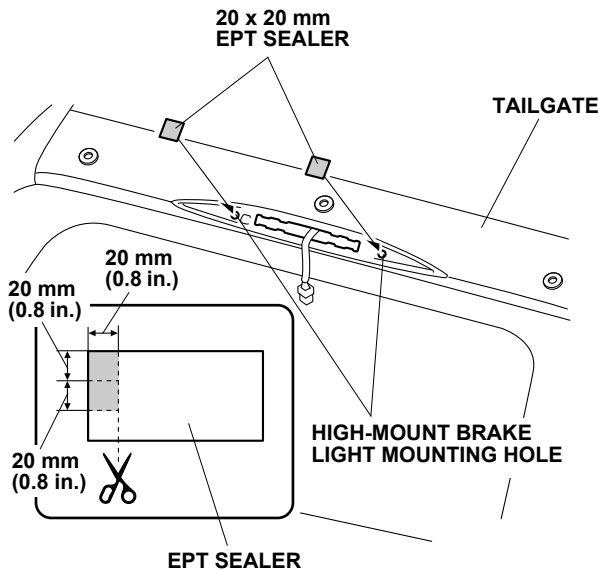


20. Remove the adhesive backing from each adhesive sealing washer, and attach one washer over each jack nut.

21. Using isopropyl alcohol on a shop towel, thoroughly clean the tailgate around the high-mount brake light mounting holes.

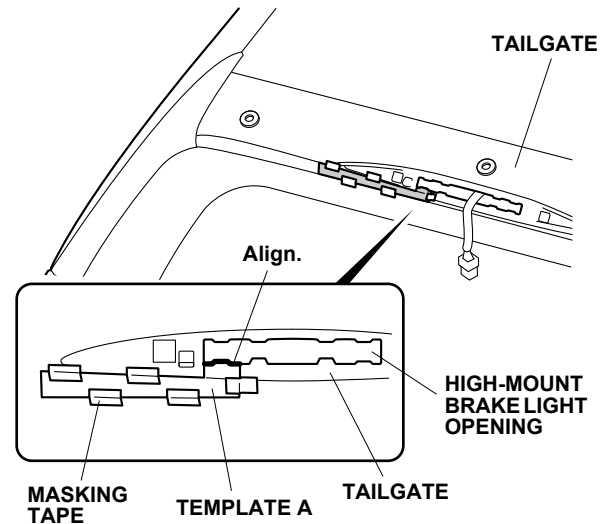


22. Using scissors, cut two 20 x 20 mm pieces of EPT sealer.

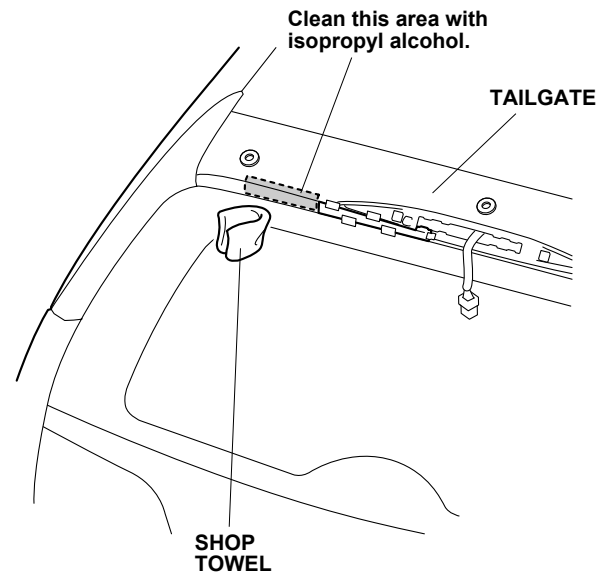


23. Attach one 20 x 20 mm piece of EPT sealer over each high-mount brake light mounting hole.

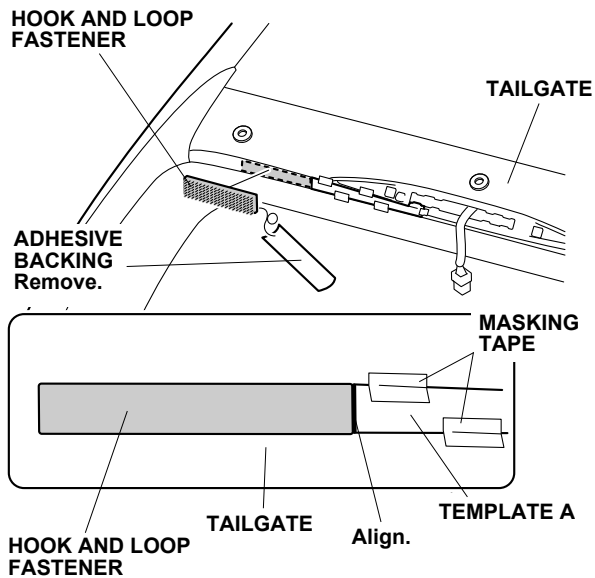
24. Place template A on the tailgate and align the right top edge of the template with the left bottom edge of the high-mount brake light opening. Secure the template in place with masking tape.



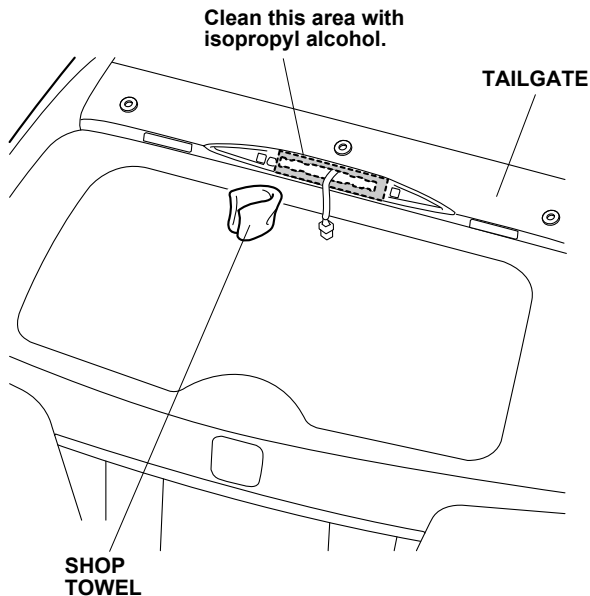
25. At the left end of the template, use isopropyl alcohol on a shop towel to clean the tailgate where the hook and loop fastener will attach.



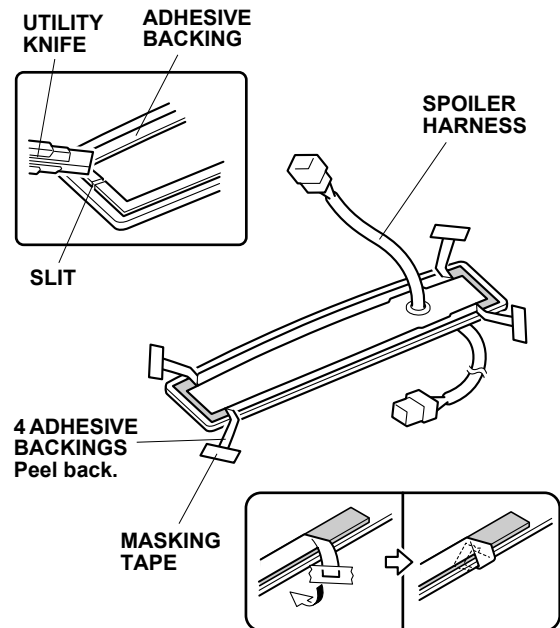
26. Remove the adhesive backing from the hook and loop fastener, and attach it to the tailgate at the end of the template.



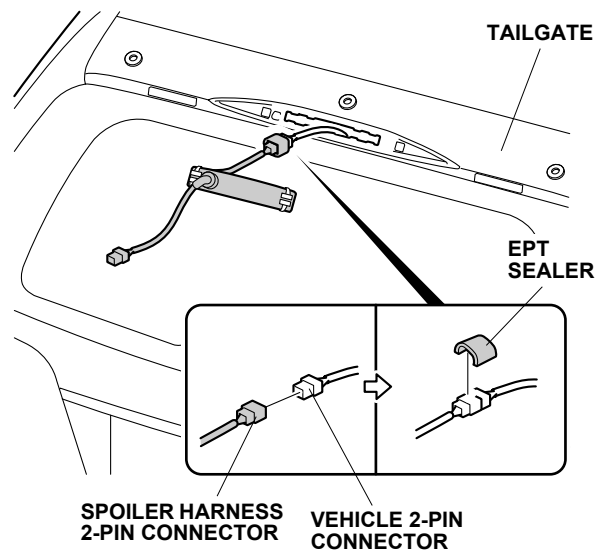
27. Turn the template over, and repeat steps 24 thru 26 to install the other hook and loop fastener on the right side of the high-mount brake light opening.
28. Using isopropyl alcohol on a shop towel, thoroughly clean the tailgate around the high-mount brake light opening.



29. Using a utility knife, cut a slit in the adhesive backing on the back of the spoiler harness in the area shown.

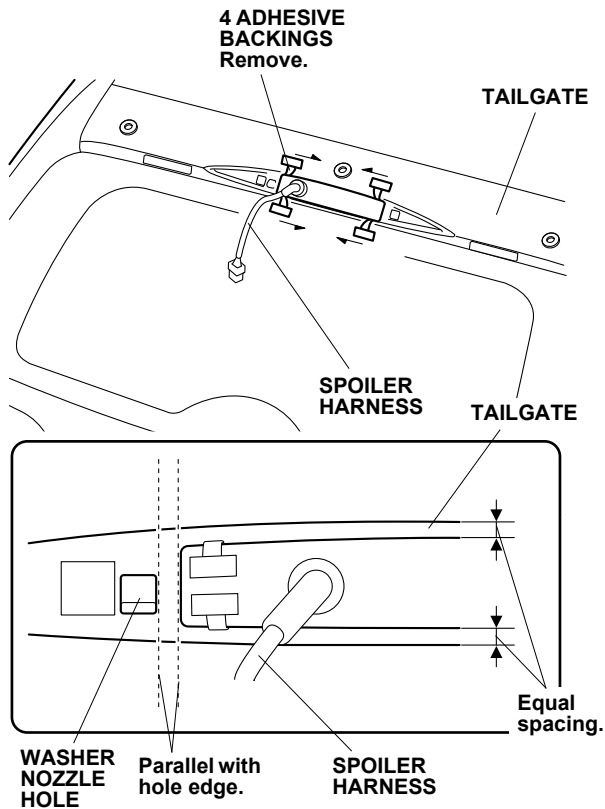


30. Peel back about 1 inch of adhesive backing from each adhesive strip, and tape the ends to the front surface of the spoiler harness.
31. Plug the spoiler harness 2-pin connector to the vehicle 2-pin connector. Wrap an EPT sealer around the connectors.

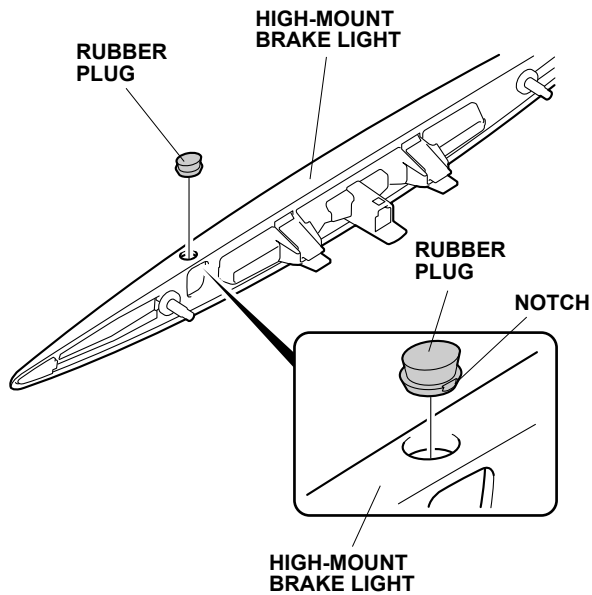




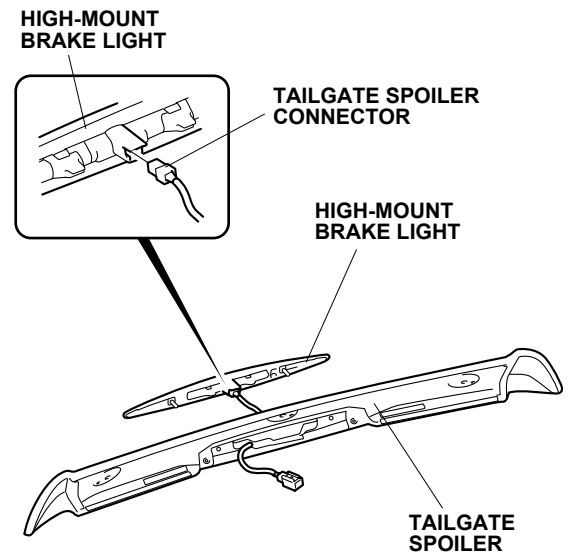
32. Install the spoiler harness on the tailgate, and remove the four adhesive backings.



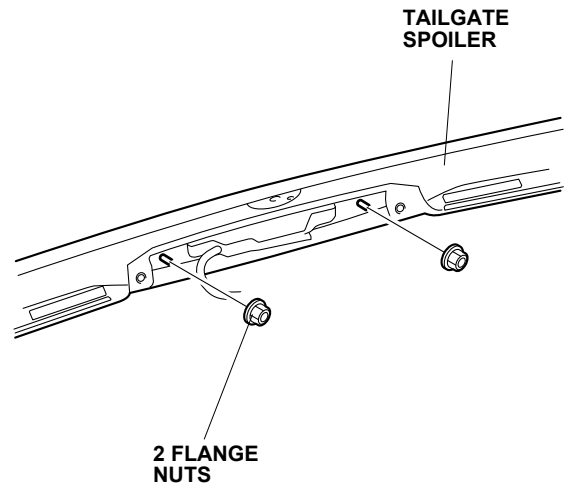
33. Use the palm of your hand to firmly press the spoiler harness against the tailgate for 30 seconds.
34. Insert the rubber plug into the hole in the high-mount brake light in the direction shown.



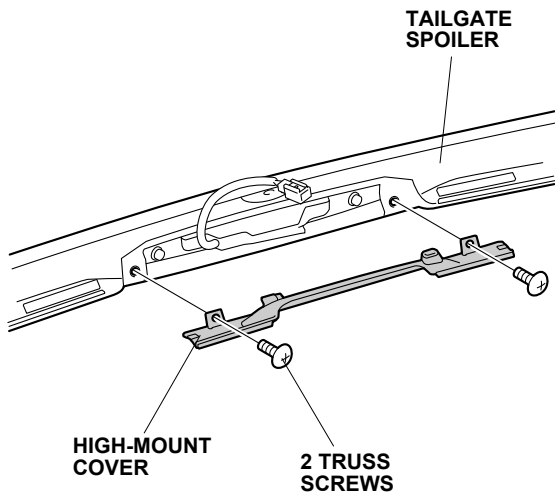
35. Plug the tailgate spoiler connector into the high-mount brake light.



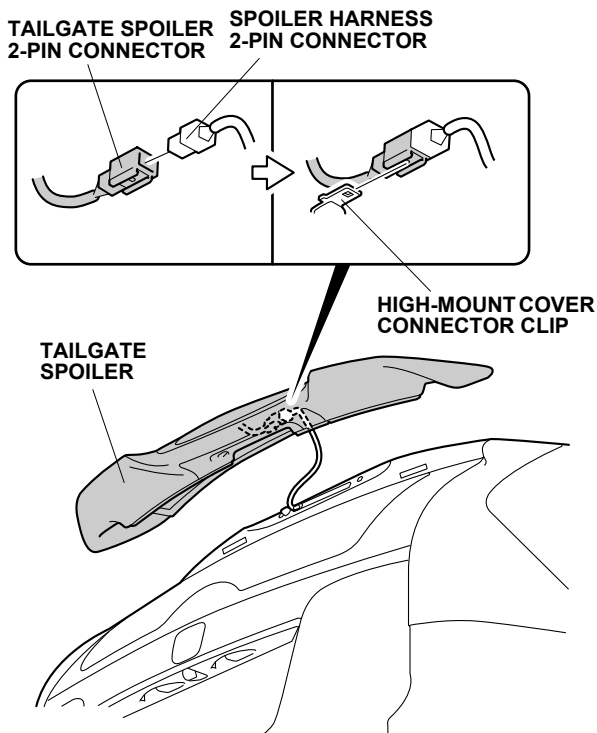
36. Install the high-mount brake light onto the tailgate spoiler using two flange nuts. Torque the two flange nuts to 5.0 N·m (3.7 lbf·ft).



37. Install the high-mount cover to the tailgate spoiler with two truss screws.

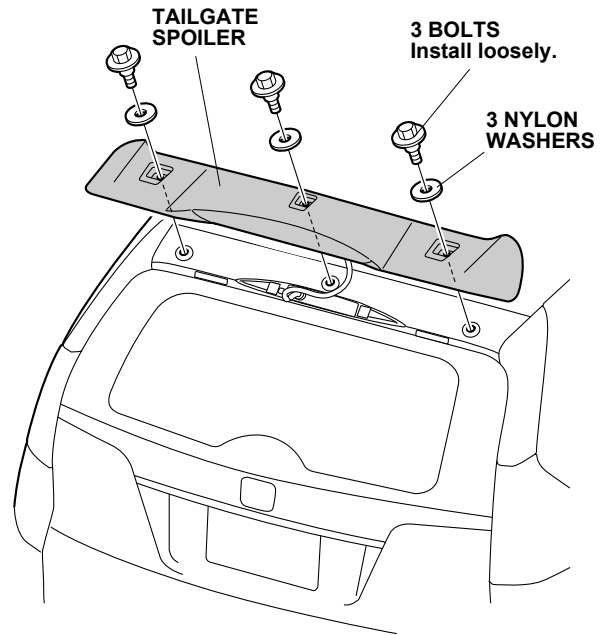


38. Bring the tailgate spoiler to the vehicle, and plug the tailgate spoiler 2-pin connector into the spoiler harness 2-pin connector.

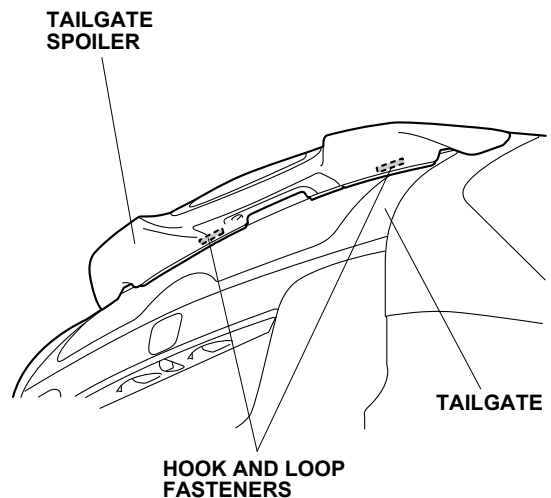


39. Attach the 2-pin connector to the high-mount cover connector clip.

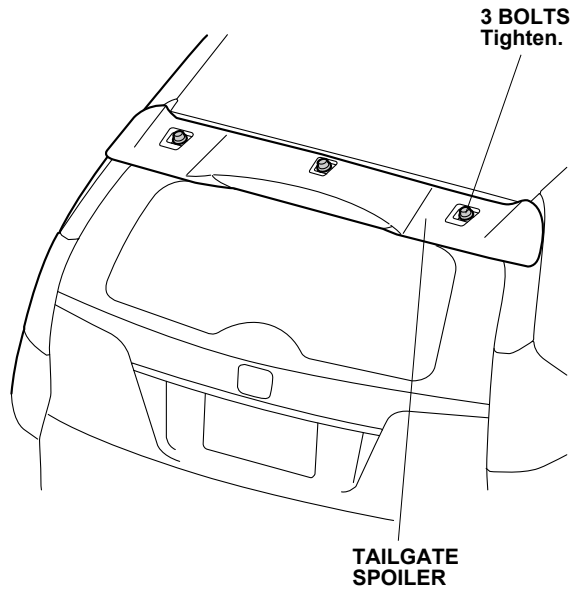
40. Place the tailgate spoiler on the tailgate, and loosely install the three bolts with nylon washers. Make sure the spoiler harness is properly tucked into the spoiler.



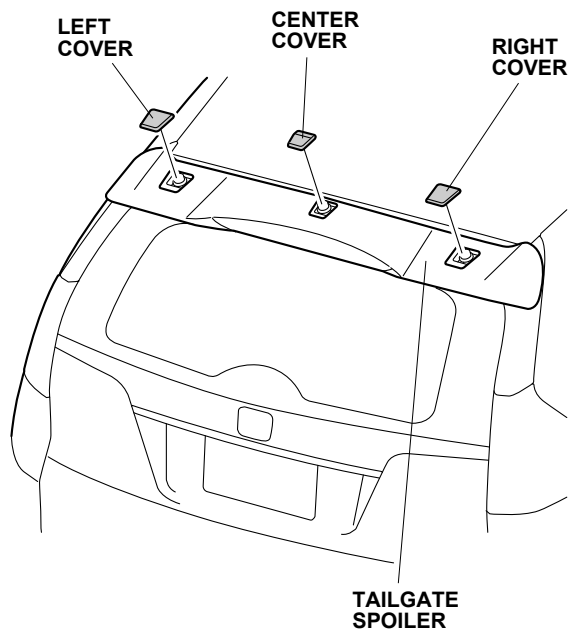
41. Use the palm of your hand to firmly press the tailgate spoiler to the tailgate. Make sure the hook and loop fasteners are secure.



42. Torque the three bolts to 7.5 N·m (5.5 lbf·ft).



43. Install the right, left, and center covers onto the tailgate spoiler.



44. Reinstall the tailgate upper trim panel.

45. Reconnect the negative cable to the battery.  
46. Check the operation of the high mount brake light.  
47. Press and hold the radio power button for two seconds to restore the radio and navi (if equipped) system functions.  
48. Reset the clock.