



# INSTALLATION INSTRUCTIONS

Accessory

FULL NOSE MASK  
P/N 08P35-TR0-100A

Application

2014 CIVIC  
4-DOOR

Publications No.

All 50695

Issue Date

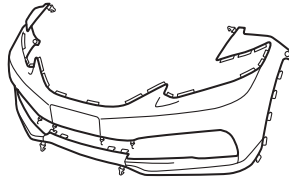
NOV 2013

## PARTS LIST

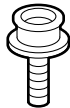
Mask  
(hood section)



Mask  
(bumper section)



2 Snap-screws



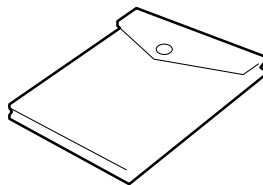
2 Washers



2 Fenderwell nuts



Storage bag



## TOOLS AND SUPPLIES REQUIRED

Stubby Phillips screwdriver

Utility knife

Flat-tip screwdriver

## INSTALLATION

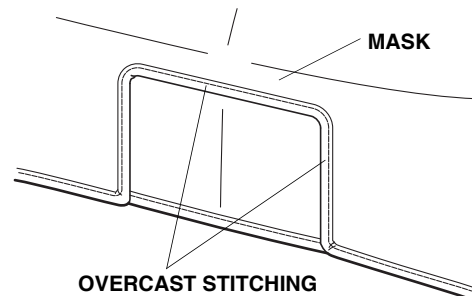
### NOTE:

- Make sure the vehicle and the nose mask are clean and completely dry before installation. If moisture under the mask is allowed to dry, it may cloud the paint. If the mask becomes wet, remove it and allow it to air-dry completely.
- Make sure any repainted surfaces are cured.
- Make sure the hood and nose of the vehicle have been waxed with a high-quality paste wax.
- Make sure to install the nose mask securely. If the nose mask starts to flap or comes loose while driving, safely pull off the highway, stop the vehicle, and secure or remove the mask.

### Displaying the Front License Plate

If your state law requires the display of both license plates, cut out the piece of the bumper section that covers the front license plate:

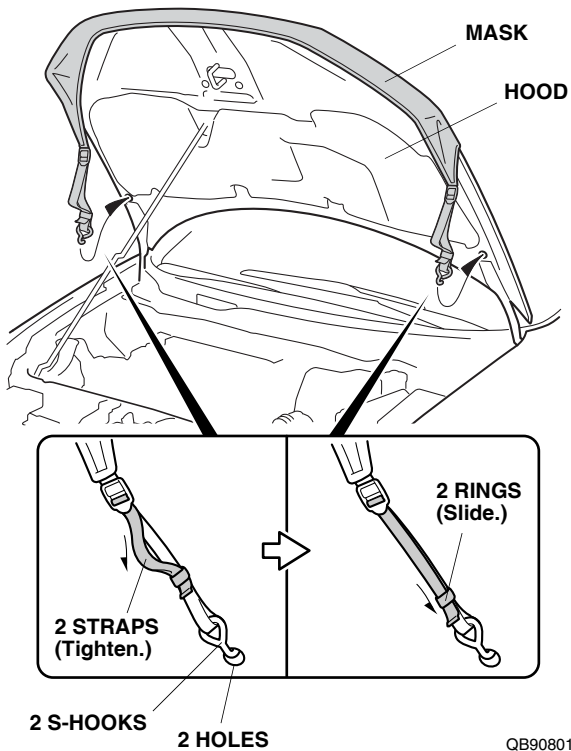
- Face the inside of the mask toward you.
- Carefully cut out the overcast stitching with a utility knife. Remove the stitching and the license plate cover.



QA20302AJ

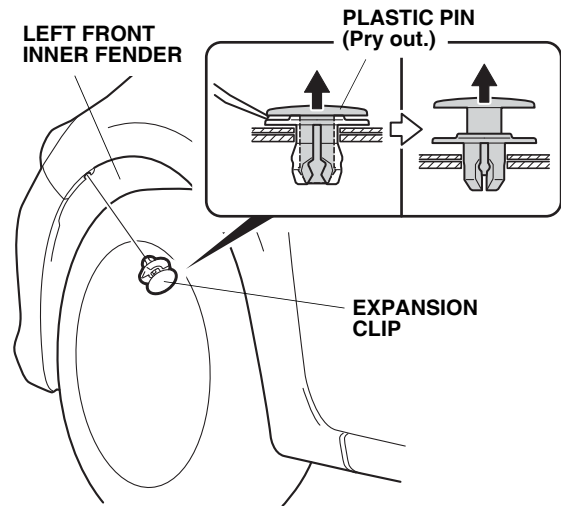
## Installing the Hood Section

1. Open the hood. Fit the corners of the mask around the hood. Adjust the mask so that it fits smoothly over the edges. Attach two S-hooks to each hole on the hood, then adjust the straps tight.



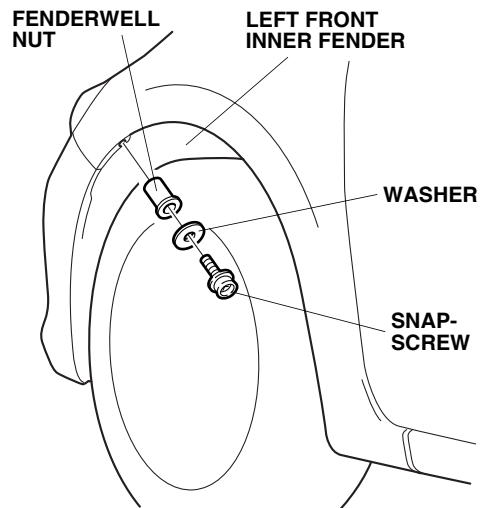
## Installing the Bumper Section

2. Turn the steering wheel all the way clockwise.



Q072303BJ

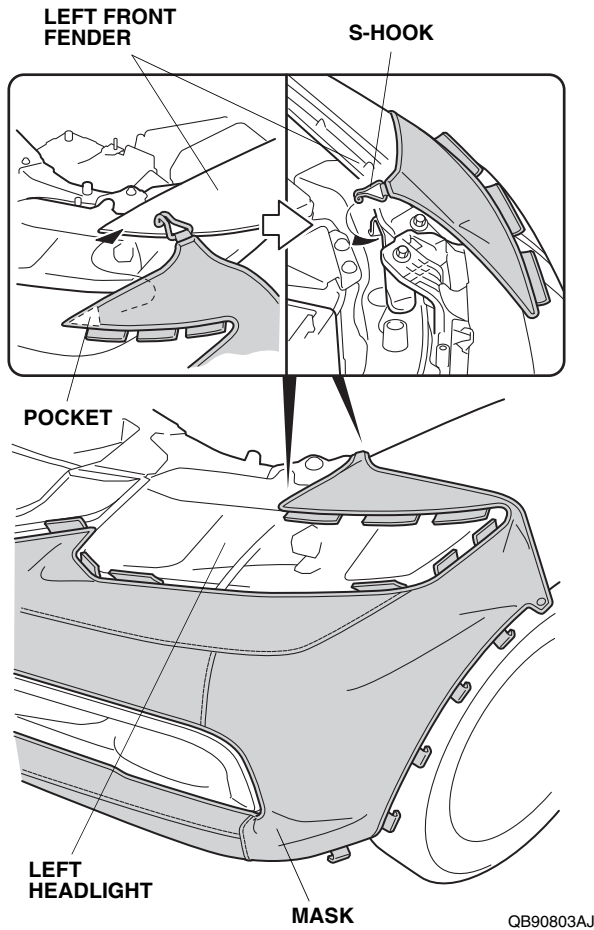
3. Pry out the plastic pin of clip, and remove the expansion clip that fastens the left front inner fender. Retain the clip. Clean the area around the hole.
4. Press one fenderwell nut (supplied) into the hole in the left fender flange.



Q072304AJ

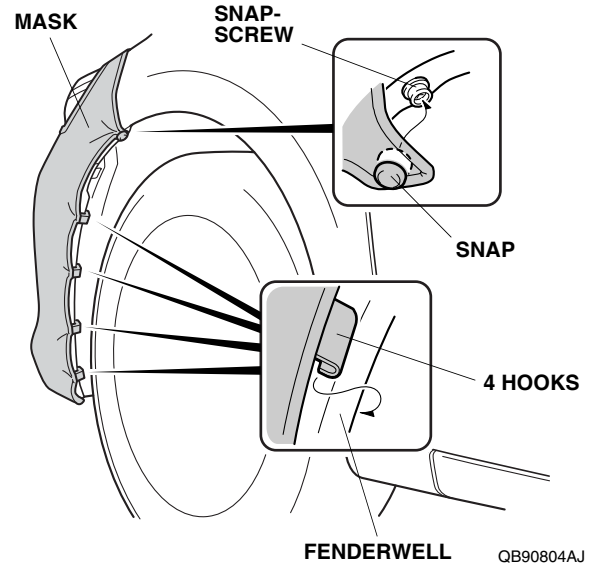
5. Place a washer onto the snap-screw and install one snap-screw into the fenderwell nut. Securely tighten the snap-screw.
6. Turn the steering wheel all the way counterclockwise, and repeat steps 2 through 5 on the right side of the vehicle.

- Slip the pocket of the mask bumper section onto the front corner of the left front fender.

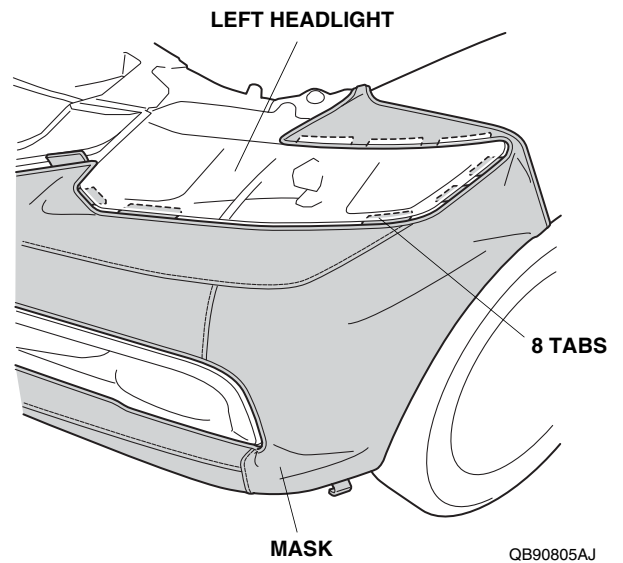


- Attach the S-hook to the left front fender.

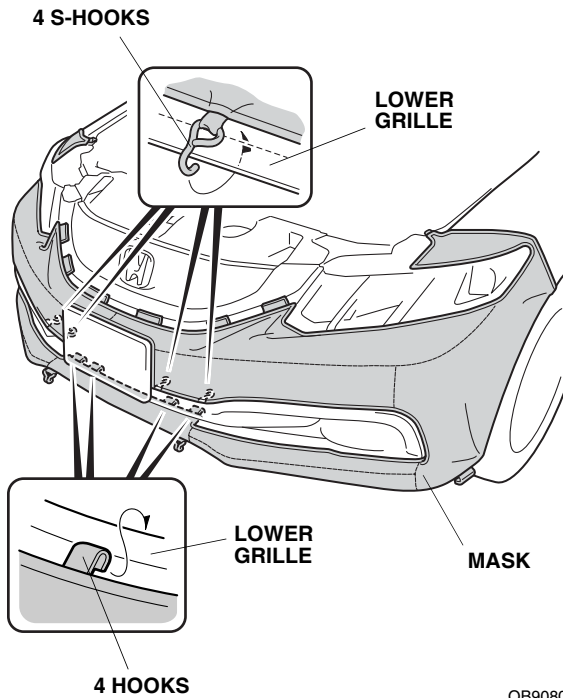
- Pull the mask back toward the fenderwell, smooth out any wrinkles, and secure the snap on the mask to the snap-screw.



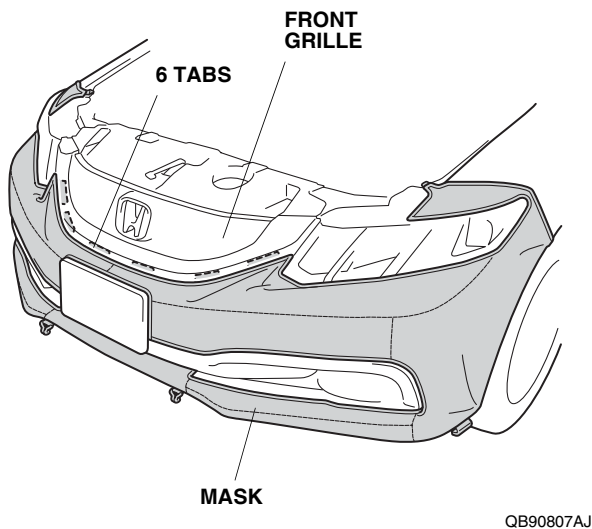
- Attach four hooks to the fenderwell.
- Pull the mask across the front bumper, smooth out any wrinkles, and attach the mask to the right side of the vehicle the same way.
- On each side of the vehicle, insert eight tabs along the edge of the headlight.



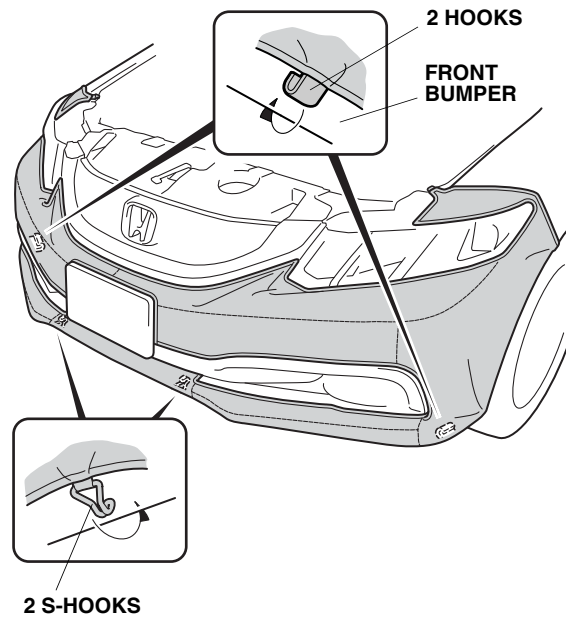
- Attach four S-hooks to the top edges of the lower grille opening. Attach four hooks to the bottom edges of the lower grille opening.



- Insert six tabs between the bumper and the front grille.



- Attach two hooks and two S-hooks to the bottom of the front bumper.



- Put these instructions and two expansion clips removed in step 3 in the glove box for your customer.

#### **CLEANING THE NOSE MASK**

Use a sponge or cloth with a solution of mild liquid dishwashing soap and water to clean the vinyl and the flannel backing. Rinse the mask completely with clean water, and hang it to dry out in direct sunlight. Make sure the mask is completely dry before you reinstall it.