



INSTALLATION INSTRUCTIONS

Accessory
REAR SEAT COVER

Application
2013 FIT

Publications No.
All 13236
Issue Date
JULY 2012

Put this information in the glove box with the vehicle owner's manual.

PARTS LIST

2 headrest covers

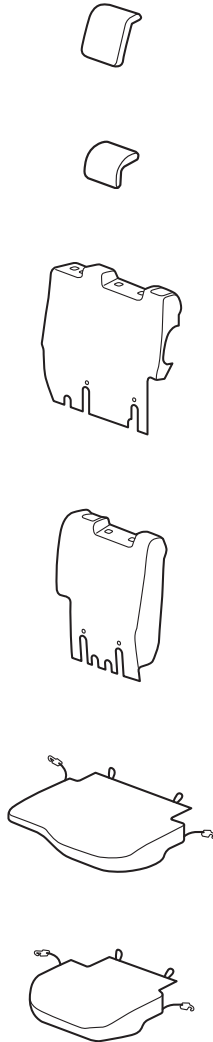
Center headrest cover

Left seat-back cover

Right seat-back cover

Left seat cushion cover

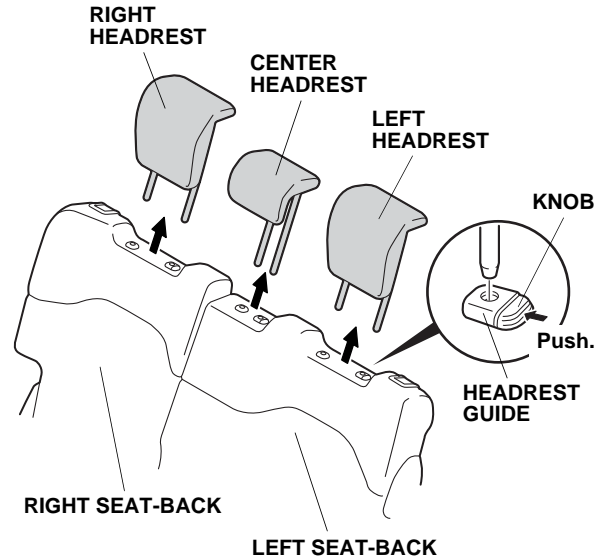
Right seat cushion cover



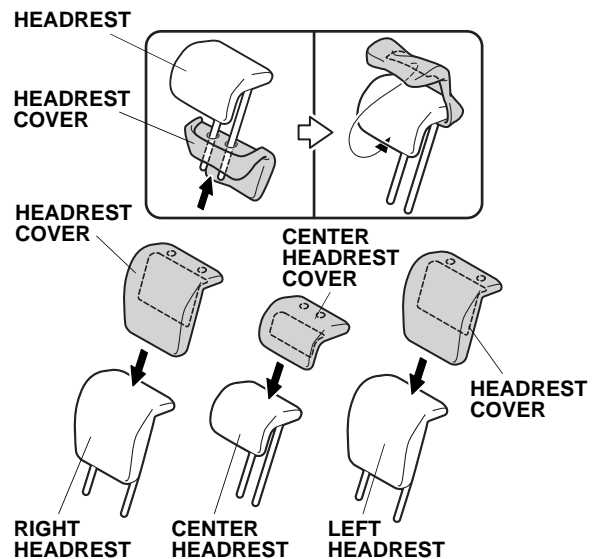
INSTALLATION

Installing the Headrest Covers

1. Remove each headrest by pushing on the knob and lifting up on the headrest.

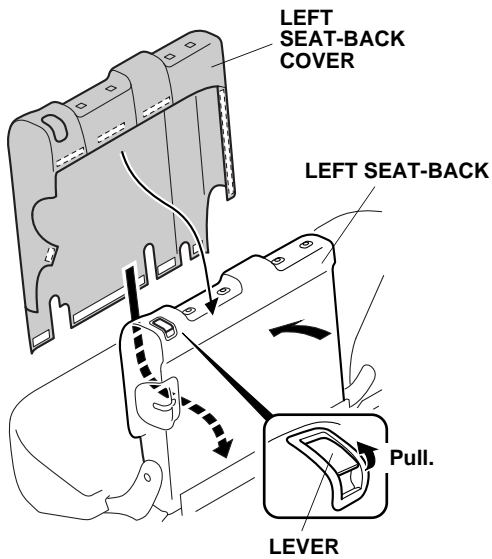


2. Install a headrest cover on each headrest as shown.

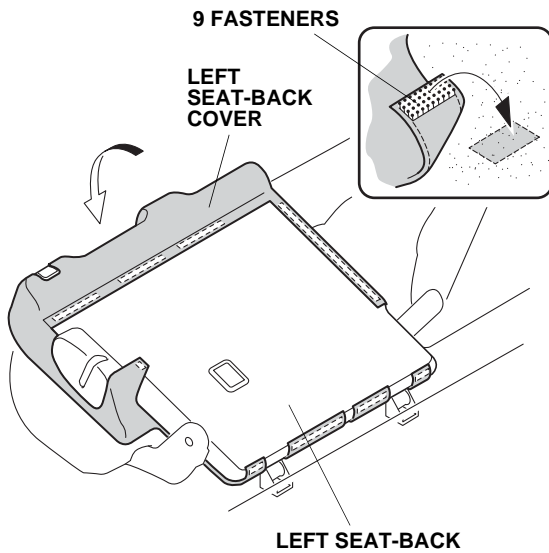


Installing the Left Seat-back Cover

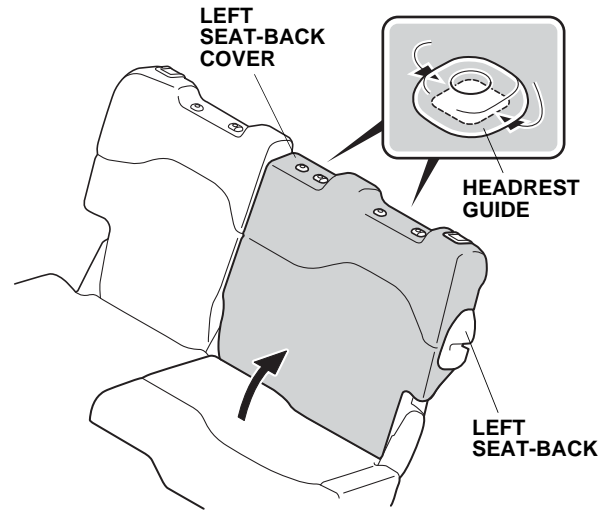
3. Pull the lever and fold the left seat-back halfway forward. Install the left seat-back cover over the left seat-back.



4. Fold the left seat-back fully forward. Pull the seat-back cover tight, and secure it to the left seat-back with nine hook-and-loop fasteners.

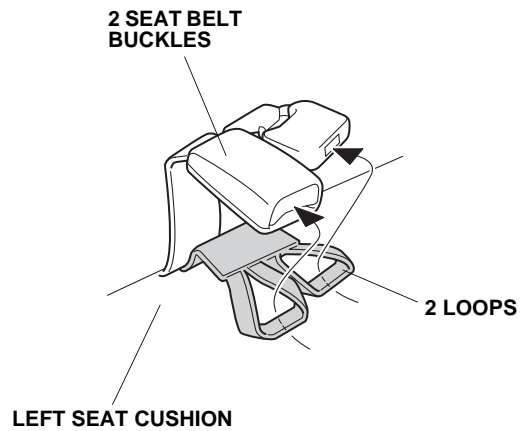


5. Lift the left seat-back. Tuck the left seat-back cover under each headrest guide as shown.

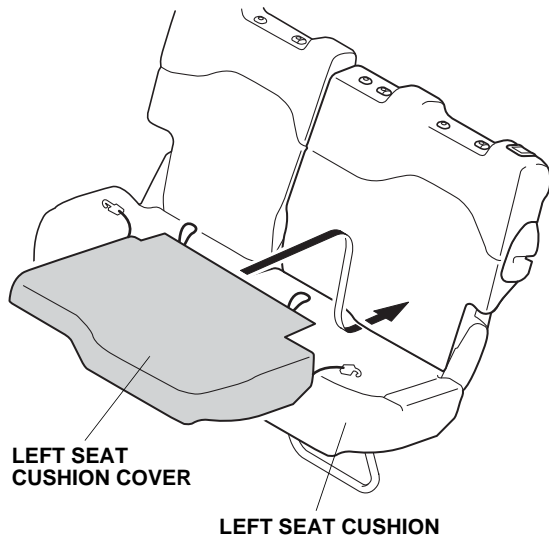


Installing the Left Seat Cushion Cover

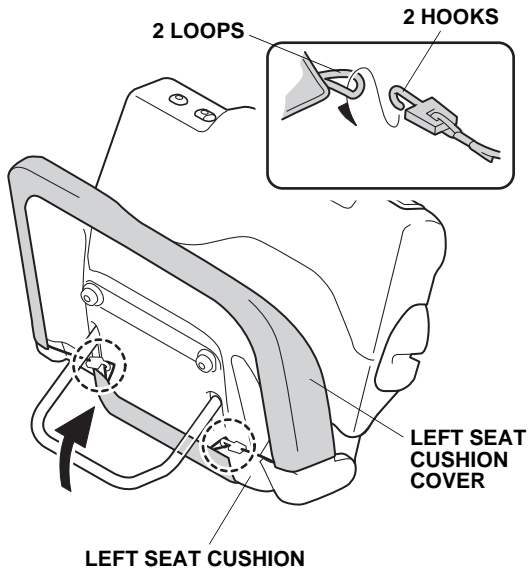
6. Release two seat belt buckles from two loops.



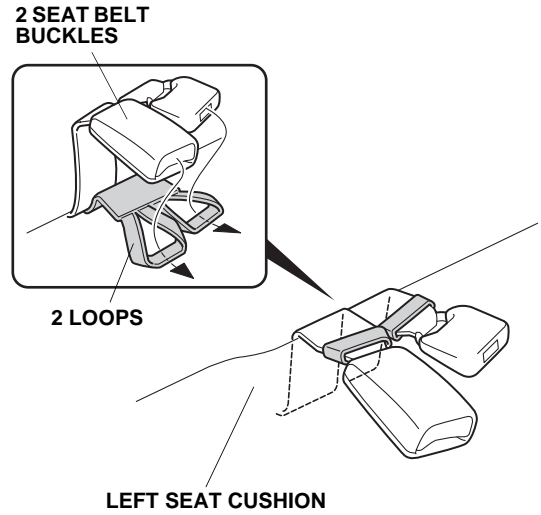
7. Install the left seat cushion cover over the left seat cushion.



8. Lift up the left seat cushion. Secure the left seat cushion cover to the left seat cushion with two hooks and two loops.

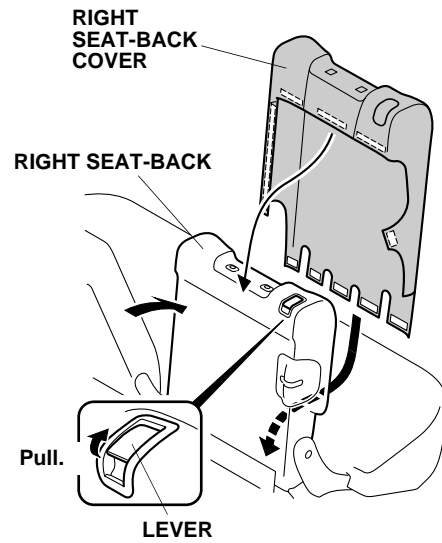


9. Lower the left seat cushion. Reinstall the two seat belt buckles into the loops.

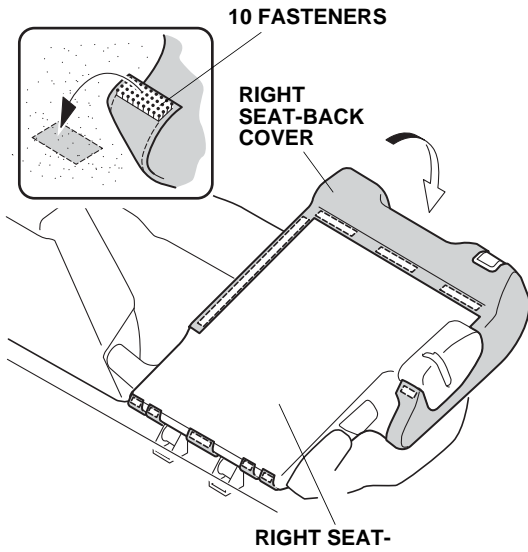


Installing the Right Seat-back Cover

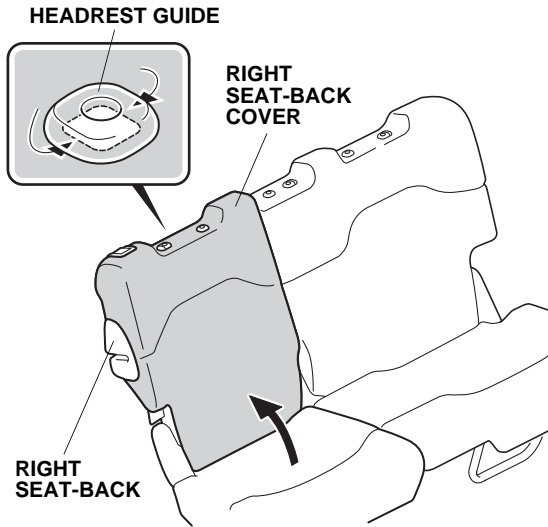
10. Pull the lever and fold the right seat-back halfway forward. Install the right seat-back cover over the right seat-back.



11. Fold the right seat-back fully forward. Pull the seat-back cover tight, and secure it to the right seat-back with ten hook-and-loop fasteners.

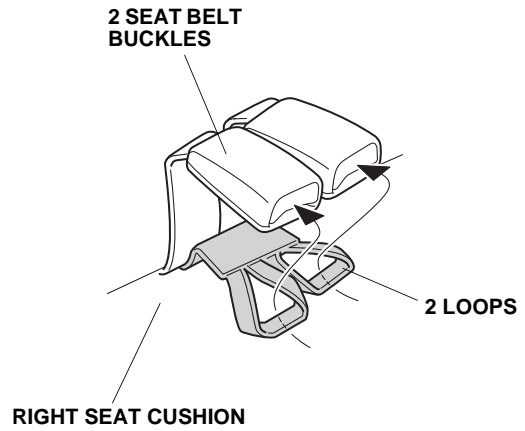


12. Lift the right seat-back. Tuck the right seat-back cover under each headrest guide as shown.

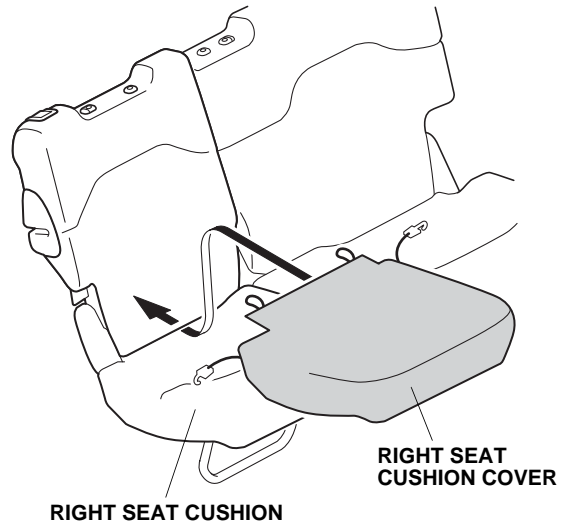


Installing the Right Seat Cushion Cover

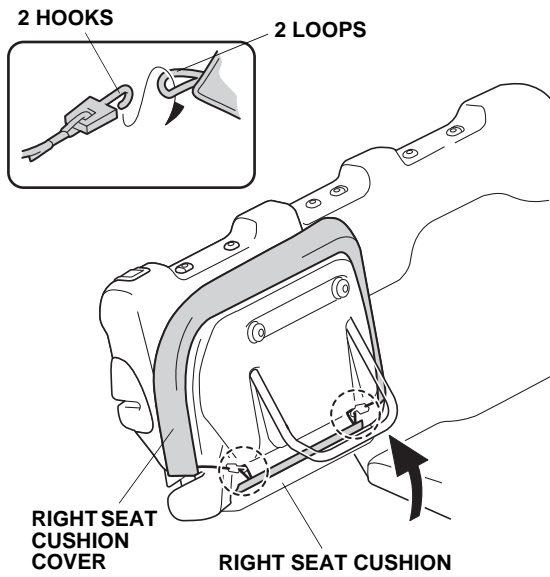
13. Release two seat belt buckles from two loops.



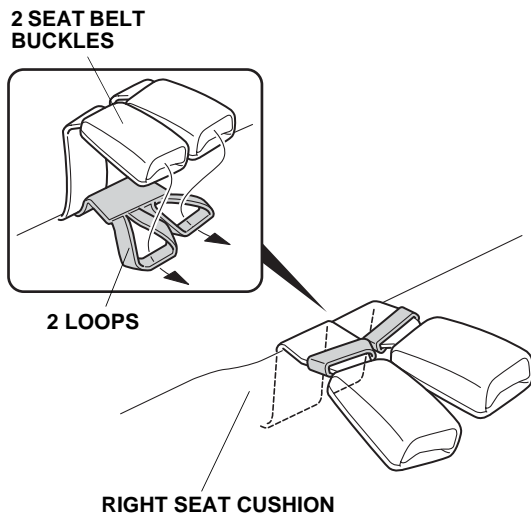
14. Install the right seat cushion cover over the right seat cushion.



15. Lift up the right seat cushion. Secure the right seat cushion cover to the right seat cushion with two hooks and two loops.



16. Lower the right seat cushion. Reinstall two seat belt buckles into the loops.



17. Reinstall the headrests on the seat-backs.