



INSTALLATION INSTRUCTIONS

Accessory

CIGARETTE LIGHTER
P/N 08U96-SJC-100

Application

2011 RIDGELINE

Publications No.

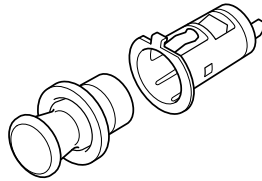
All 43424

Issue Date

JUNE 2010

PARTS LIST

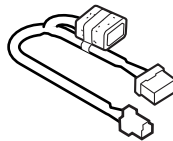
Cigarette lighter



Lighter ring



Cigarette lighter harness



TOOLS AND SUPPLIES REQUIRED

Phillips screwdriver

Shop towel

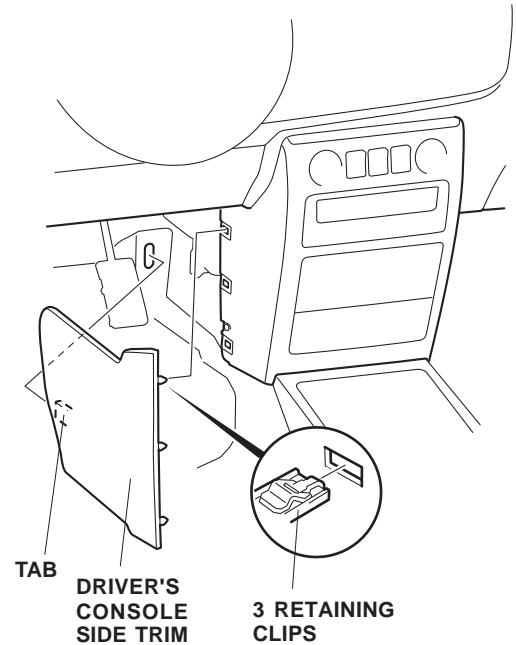
Flat-tip screwdriver

INSTALLATION

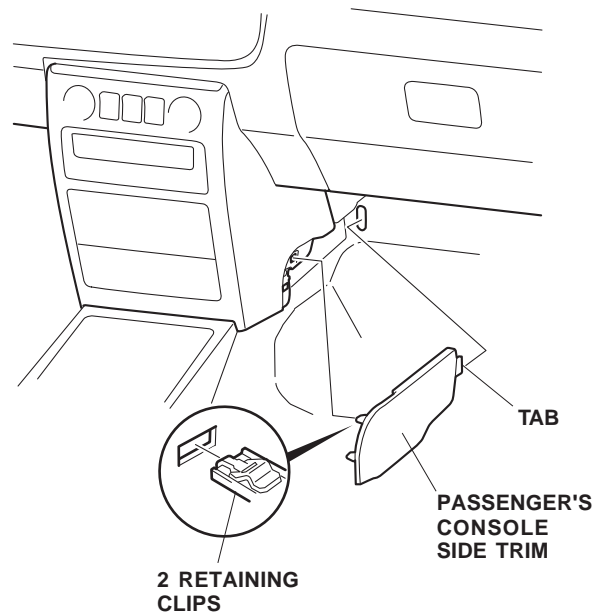
Customer Information: The information in this installation instruction is intended for use only by skilled technicians who have the proper tools, equipment, and training to correctly and safely add equipment to your vehicle. These procedures should not be attempted by "do-it-yourselfers."

1. Make sure you have the anti-theft code for the radio, then write down the radio station presets .
2. Disconnect the negative cable from the battery.

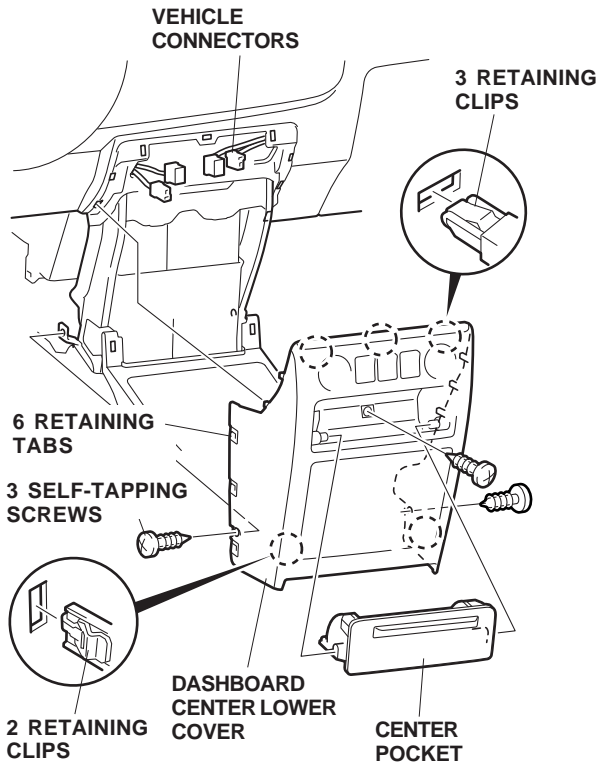
3. Remove the driver's console side trim (three retaining clips and one tab).



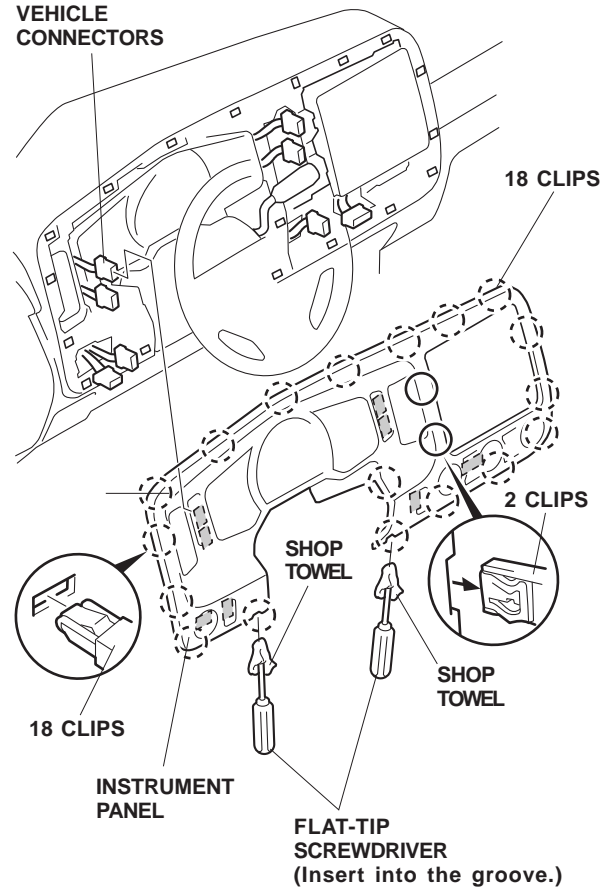
4. Remove the passenger's console side trim (two retaining clips and one tab).



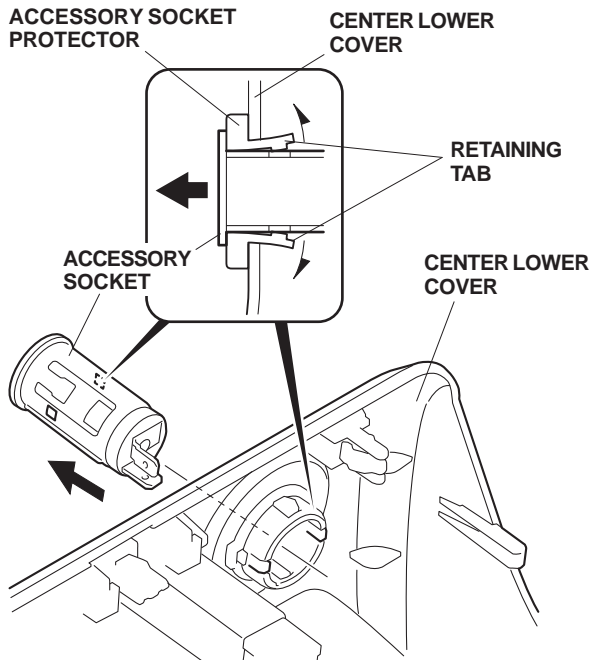
5. Remove the dashboard center console lower cover:
 - Remove the center pocket.
 - Remove the three self-tapping screws.
 - Release the five retaining clips and six retaining tabs, and pull out the dashboard center lower cover.
 - Disconnect the vehicle connectors, and remove the center console lower cover.



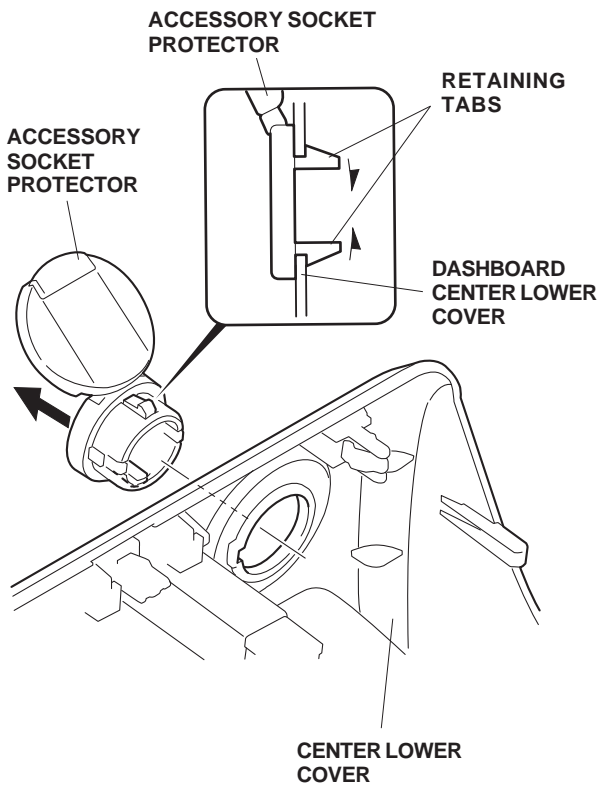
6. Insert a flat-tip screwdriver with a shop towel wrapped around it into the groove of the instrument panel, and release the clips. Pull the instrument panel out toward you to release the eighteen clips, and unplug the vehicle connectors. Remove the instrument panel.



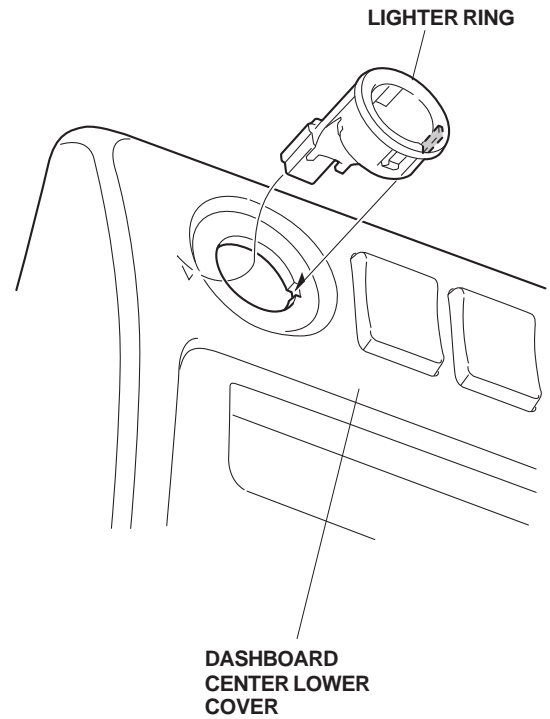
- Remove the accessory socket from the accessory socket protector by releasing the two retaining tabs.



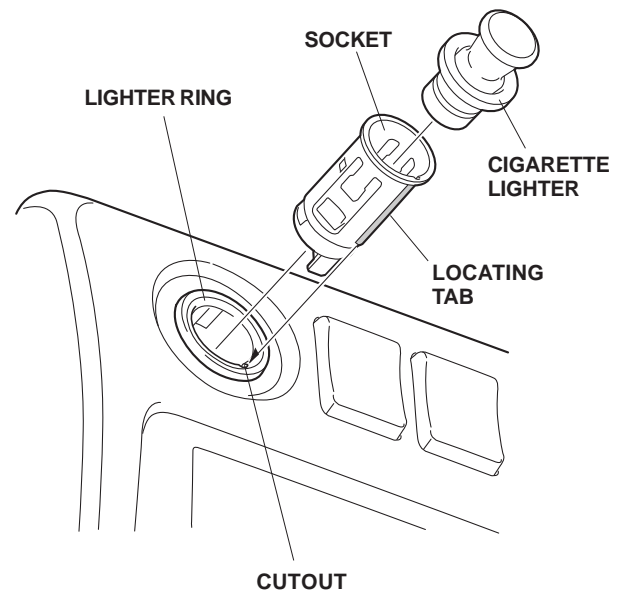
- Remove the accessory socket protector from the dashboard center lower cover by releasing the two retaining tabs.



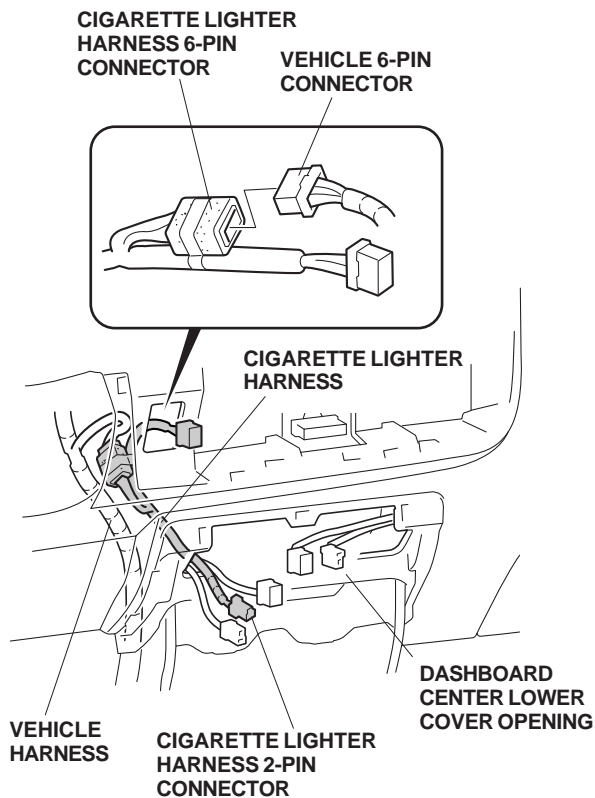
- Slide the lighter ring into the hole in the front dashboard center lower cover in the direction shown.



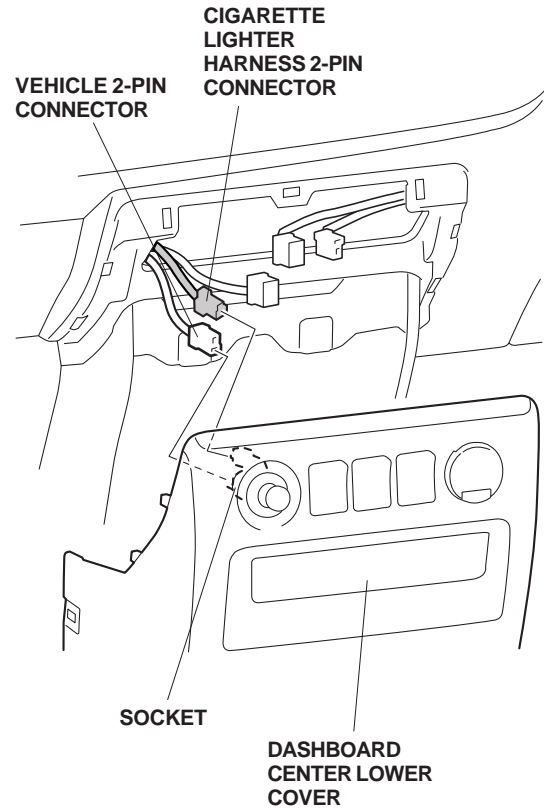
- Align the locating tab on the socket with the cutout in the ring, and slide the cigarette lighter socket into the lighter ring. Push the cigarette lighter into the socket.



- Route the cigarette lighter harness 2-pin connector along the vehicle harness and through the dashboard center lower cover opening. Plug the vehicle 6-pin connector into the cigarette lighter harness 6-pin connector.



- Connect the vehicle 2-pin connector and cigarette lighter harness 2-pin connector into the socket of the cigarette lighter. Reinstall the dashboard center lower cover.



- Reinstall all removed parts. Make sure that all retaining clips and tabs are securely fastened.
- Check that all wire harnesses are routed properly and all connectors are plugged in.
- Reconnect the negative cable to the battery.
- Reset the clock and the radio station presets.
- Check the function of the cigarette lighter.

NOTE: Whenever the battery is disconnected, the driver's window AUTO function is disabled.

- Start the engine. Push down on the driver's window switch until the window is fully open.
- Pull up on the driver's window switch fully to close the window completely, then hold the switch for 2 seconds or more.
- Test the window AUTO function.