



# INSTALLATION INSTRUCTIONS

Accessory

ALL-SEASON MATS  
P/N 08P13-TM8-110

Application

2011 INSIGHT

Publications No.

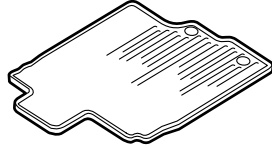
All 44894

Issue Date

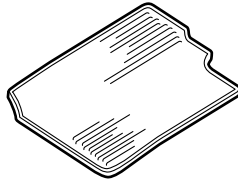
NOV 2010

## PARTS LIST

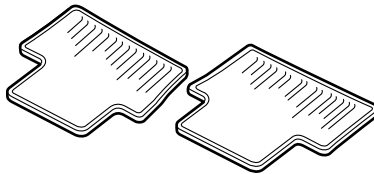
Driver's side all-season mat



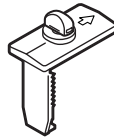
Passenger's side all-season mat



Rear all-season mats



2 Anchors



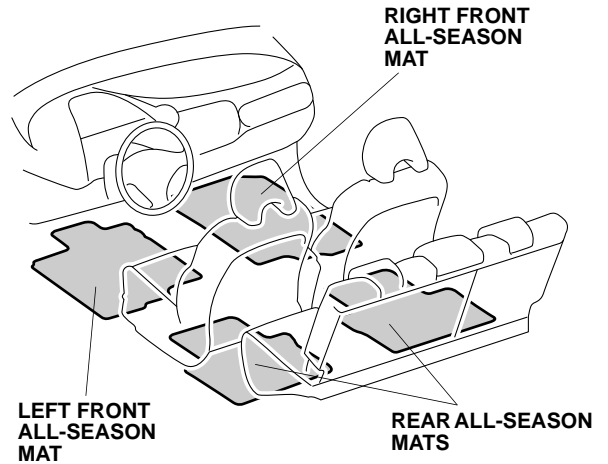
## TOOL AND SUPPLIES REQUIRED

Flat-tip screwdriver

Utility Knife

Tape measure

## Illustration of the All-Season Mats installed in the Vehicle



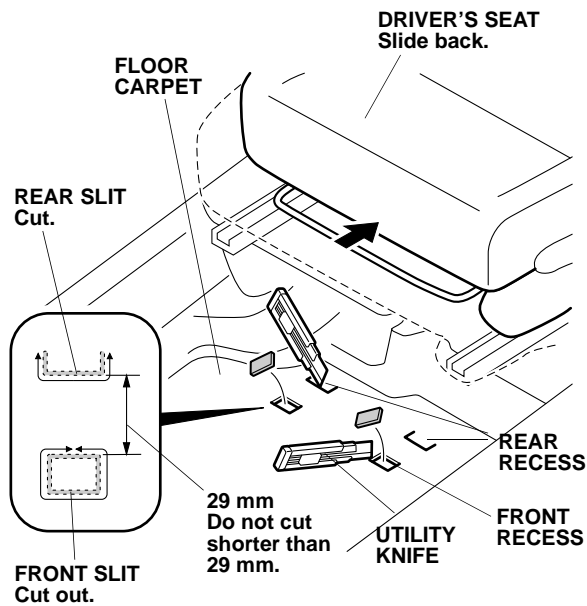
## INSTALLATION

**Customer Information:** The information in this installation instruction is intended for use only by skilled technicians who have the proper tools, equipment, and training to correctly and safely add equipment to your vehicle. These procedures should not be attempted by "do-it-yourselfers."

### NOTE:

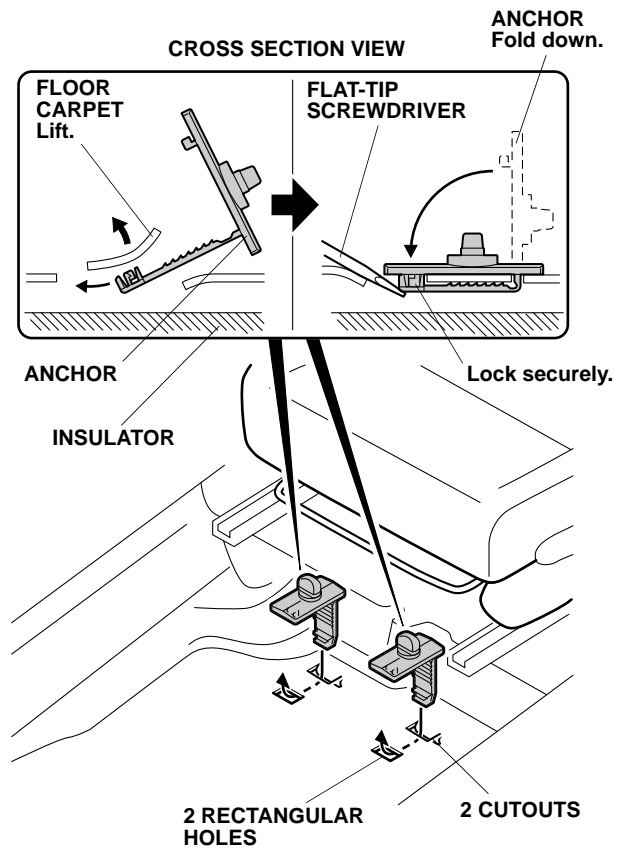
- Before installing the all-season mats, identify their installation positions.
- Anchors are required for the driver's side of the vehicle; they prevent the all-season mat from sliding forward and interfering with the pedals.
- If you remove the driver's side all-season mat, make sure you reanchor it when you put it back in the vehicle.
- If you replace the all-season mats, use factory mats designed to be used with the anchors.
- Do not put the all-season mat on top of the anchored mat. The additional mat may slide forward and interfere with the pedals.

1. Slide the driver's seat all the way back.
2. Locate the two rear recesses in the carpet. Using a utility knife, slit the carpet at the front of the two recesses.



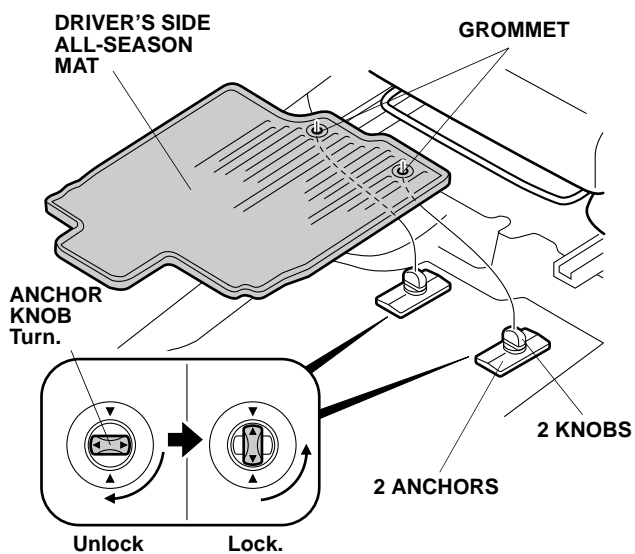
3. Locate the two front recesses in the floor carpet. Using a utility knife, cut out each front recess. Make sure the distance between the slit and the cutout is not less than 29 mm.

4. Lift the floor carpet to create a space to insert the anchor between the floor carpet and insulator.

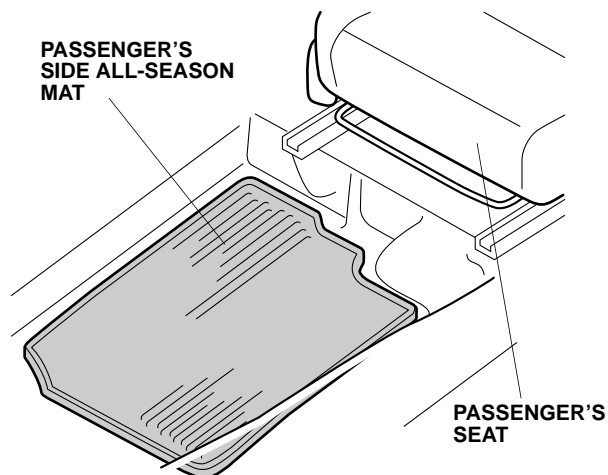


5. Insert the two anchors into the two cutouts and move the lock tabs forward into the rectangular holes. If necessary, use a clip remover or equivalent tool to open the hole in the floor carpet.
6. Fold the anchors down to lock them in place. Make sure the floor carpet is not caught in the anchor. Confirm that each anchor is locked securely using a flat-tip screwdriver.

- Align and position the driver's side all-season mat over the anchors as shown.



- Turn the knob on each anchor to secure the driver's side all season mat.
- Install the passenger's side all season mat.



- Install the right and left rear all season mats.

