



# INSTALLATION INSTRUCTIONS

Accessory  
HATCH SPOILER

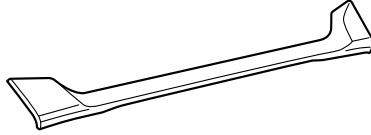
Application  
2011 CR-Z

Publications No.  
All 43566

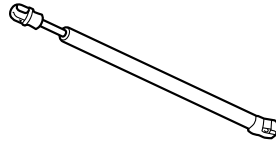
Issue Date  
AUG 2010

## PARTS LIST

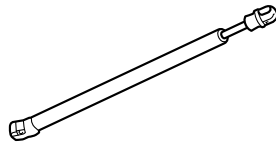
Hatch spoiler



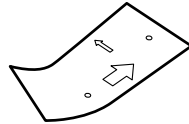
Left support strut



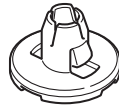
Right support strut



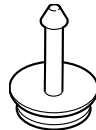
Template



4 Clip grommets



4 Pins



4 Seals



## TOOL AND SUPPLIES REQUIRED

Flat-tip screwdriver

Masking tape

Felt-tip pen

Center punch

Tape

Touch-up paint

Isopropyl alcohol

Shop towel

Drill

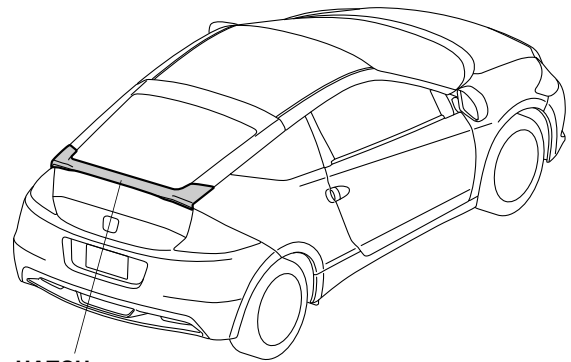
3 mm, 6 mm, and 8.5 mm Drill bits

File

Utility knife

Eye protection (safety goggles, face shield, etc.)

## Illustration of the Hatch Spoiler Installed on the Vehicle



HATCH SPOILER

## INSTALLATION

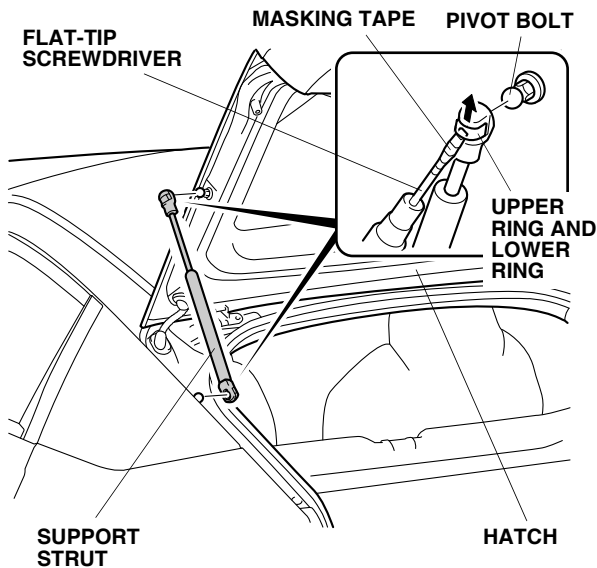
**Customer Information:** The information in this installation instruction is intended for use only by skilled technicians who have the proper tools, equipment, and training to correctly and safely add equipment to your vehicle. These procedures should not be attempted by “do-it-yourselfers.”

### NOTE:

- Be careful not to damage the body paint finish.
- This kit should only be installed if the ambient air temperature is 15°C (60°F) or above.
- To allow the adhesive to cure, do not wash the vehicle for 24 hours. Please advise your customer.

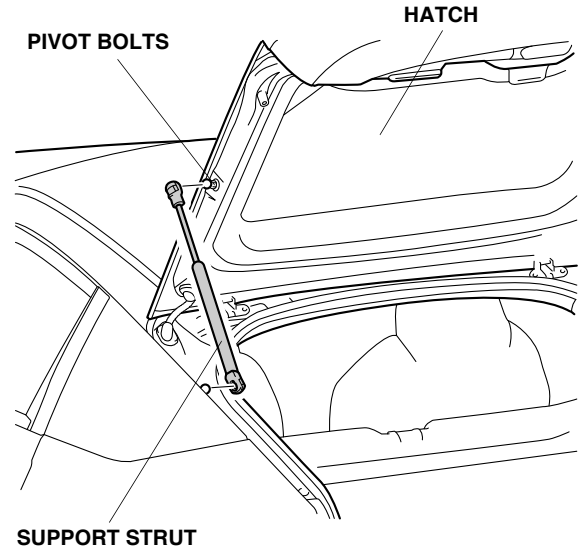
### Installing the Hatch Spoiler

1. Open the hatch.

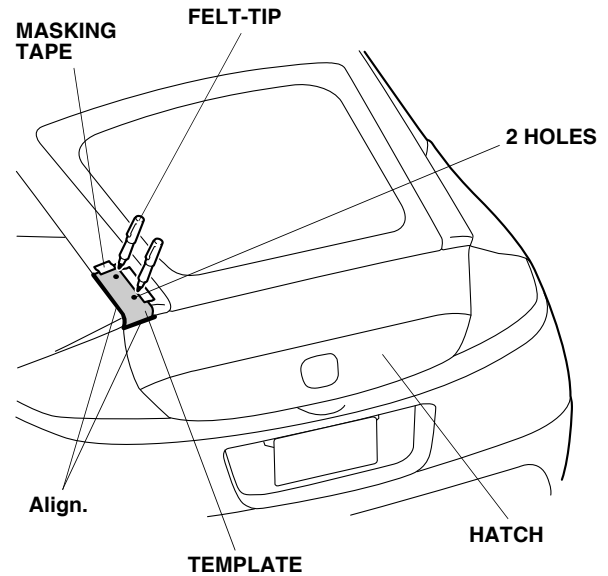


2. With an assistant holding the hatch open, use a flat-tip screwdriver wrapped with masking tape to release one upper ring and one lower ring. Remove the left support strut as shown.

3. Install the new left support strut to two pivot bolts.

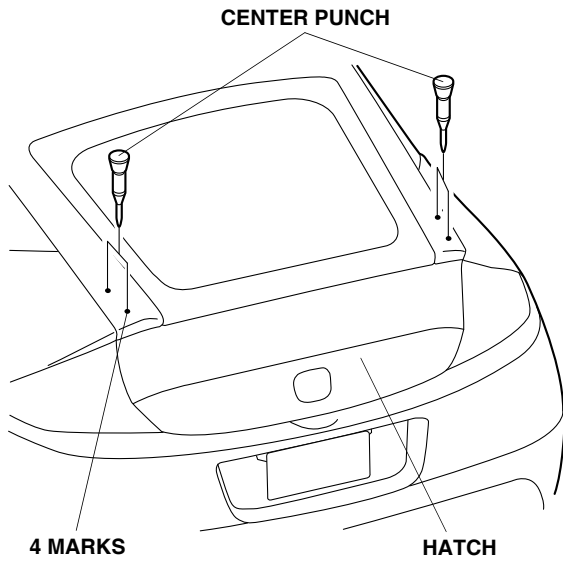


4. Repeat steps 2 and 3 to install the new support strut on the right side of the vehicle.
5. Close the hatch.
6. Align and attach the template to the edge of the hatch, and tape in place with masking tape.

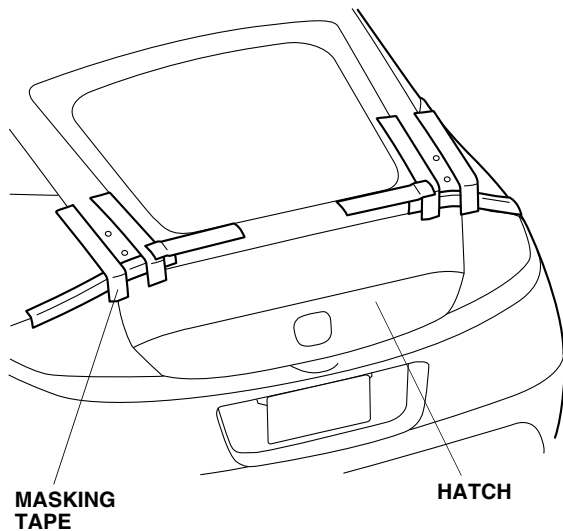


7. Using a felt-tip pen, mark two holes on the template as shown.
8. Remove the template. Turn the template over and mark the right side of the hatch the same way.

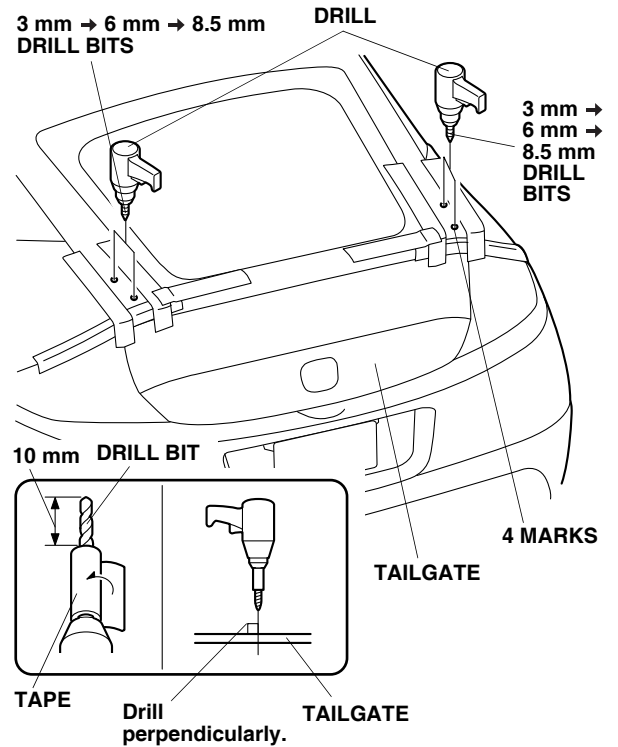
9. Using a center punch, lightly punch the four marks made on the hatch.  
NOTE: Set the center punch to the minimum setting.



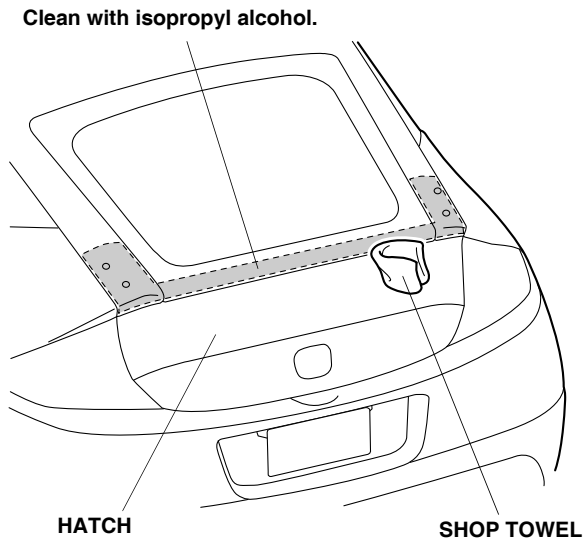
10. To prevent metal shavings from entering the seal area, attach masking tape to the hatch as shown.



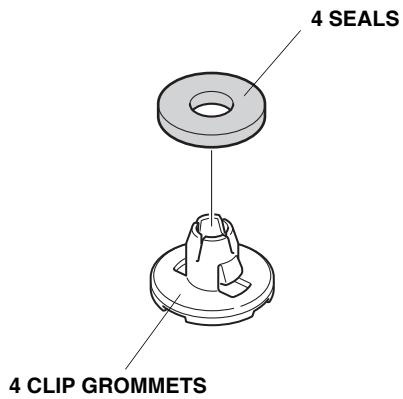
11. While wearing eye protection, drill the four center-punched marks on the hatch:
- Wrap tape around each drill bit 10 mm from the tip or use a drill stop.
  - First drill with a 3 mm drill bit, then with a 6 mm drill bit, and finish with an 8.5 mm drill bit.
  - After drilling, remove any burrs from the edges of all the holes, and apply touch-up paint. Allow the touch-up paint to dry thoroughly before proceeding to the next step.
  - Remove the masking tape.



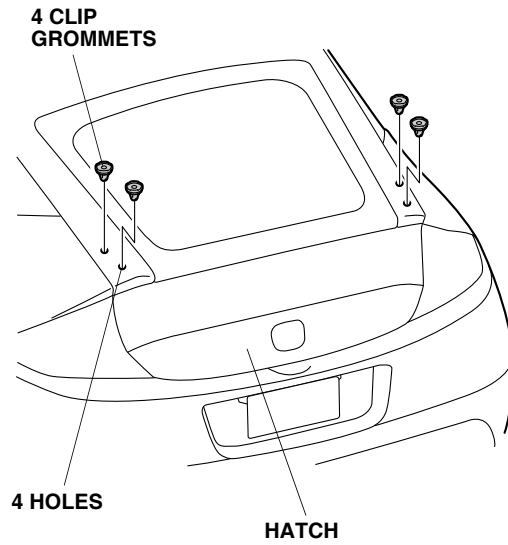
12. Using isopropyl alcohol on a shop towel, thoroughly clean the area where the hatch spoiler will attach.



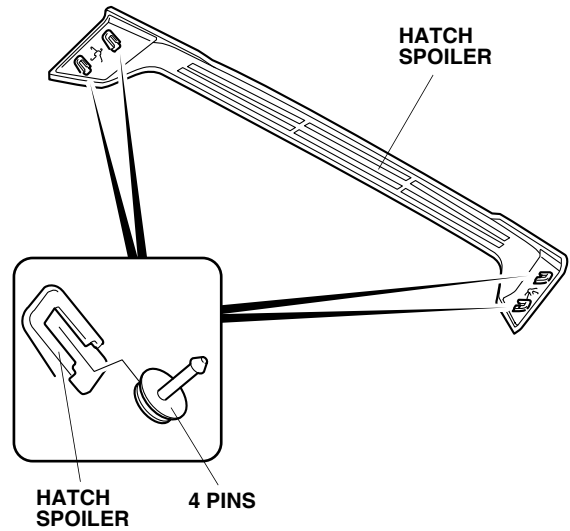
13. Install the four seals on the four clip grommets.



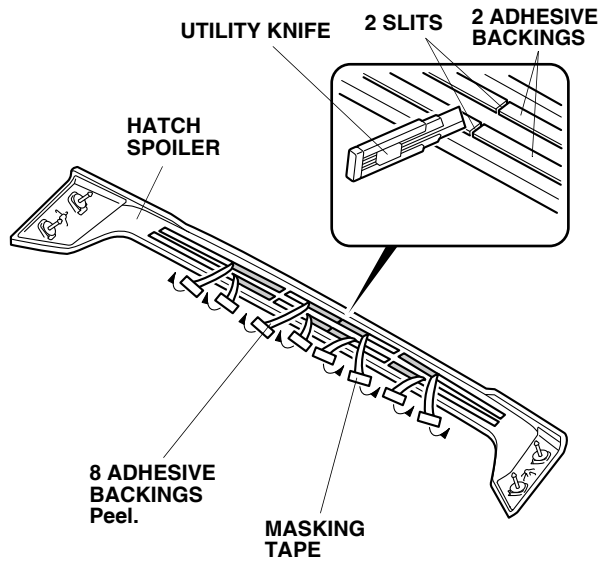
14. Install the four clip grommets into the four holes in the hatch. Press each clip until you hear a click.



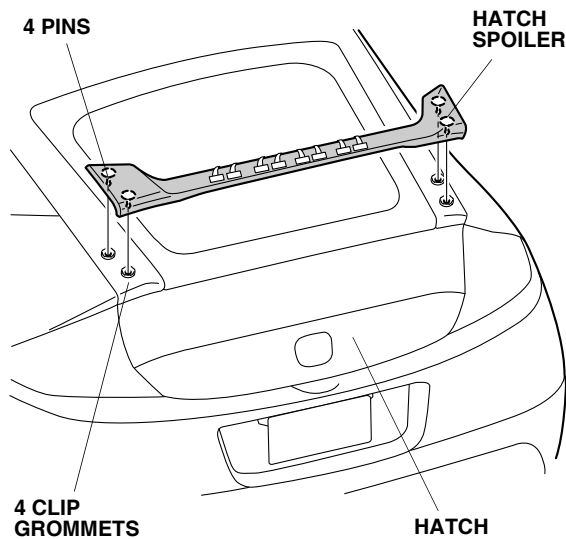
15. Install the four pins onto the hatch spoiler.



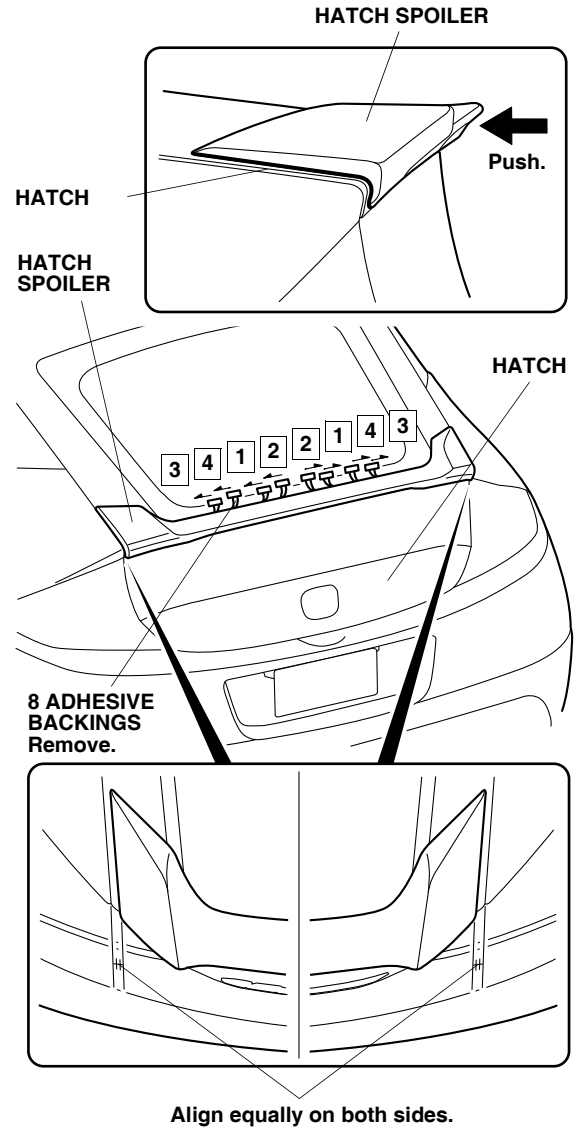
- Using a utility knife, cut two slits in the two adhesive backings on the hatch spoiler.



- Peel back approximately 1½ to 2 inches of the adhesive backings from each of the adhesive tapes, and tape the ends to the front surface of the hatch spoiler.
- Align the four pins from the hatch spoiler with the four clip grommets on the hatch, and press the spoiler down until you hear a click from each clip. **NOTE:** Do not apply excessive pressure to the hatch spoiler.



- While applying light pressure to the hatch spoiler, carefully remove each adhesive backing in the order shown, while pushing the hatch spoiler against the hatch as shown.



- Using the palm of your hand, firmly press the hatch spoiler to the hatch for 30 seconds.