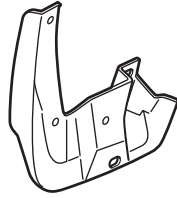
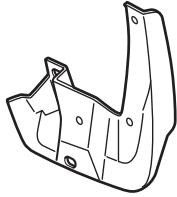


PARTS LIST

Right front splash guard



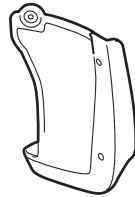
Left front splash guard



Right rear splash guard



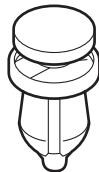
Left rear splash guard



12 Self-tapping screws, 5 x 25 mm



2 Clips

**TOOL AND SUPPLIES REQUIRED**

Stubby Phillips screwdriver

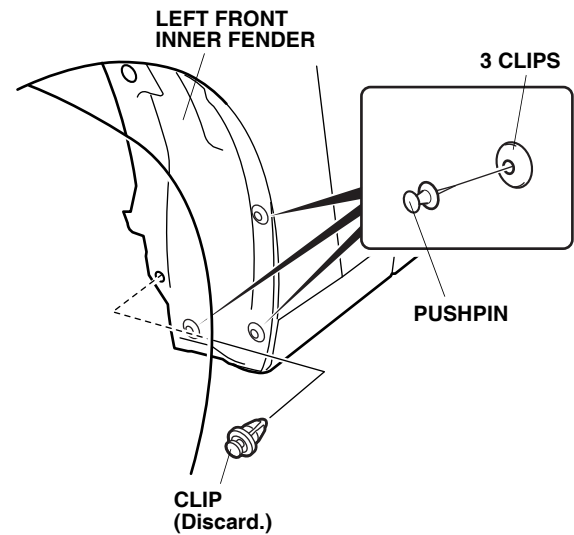
Pushpin

INSTALLATION**NOTE:**

- These instructions show the left splash guards being installed. The same procedure applies to installing the right splash guards.
- Clean and wax the areas to be covered with a high quality paste wax.

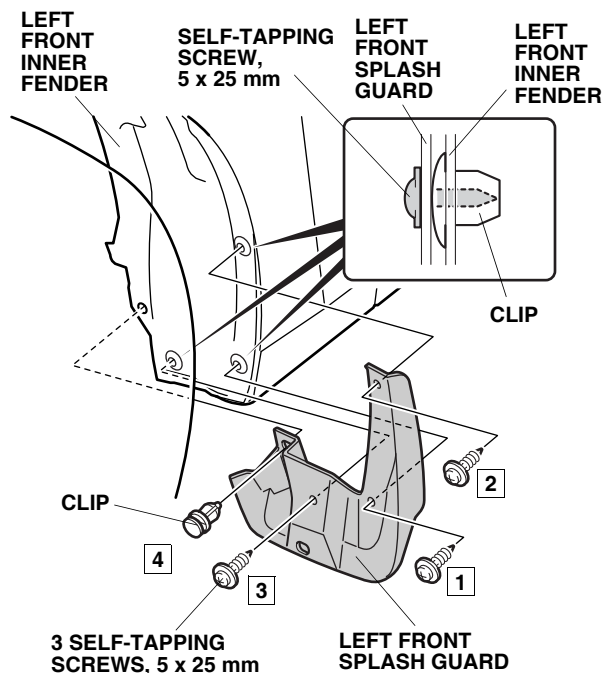
Installing the Front Splash Guards

1. Turn the steering wheel all the way counterclockwise.
2. Remove the clip from the left front inner fender as shown.



3. Using a pushpin, make small holes through the center of the three clips shown.

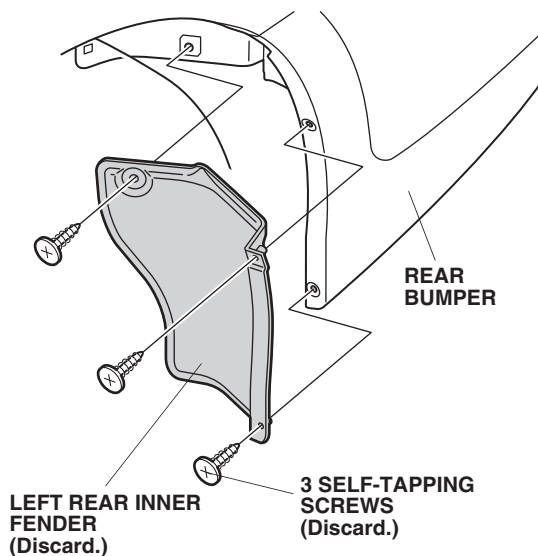
- Install the left front splash guard using three 5 x 25 mm self-tapping screws, and one clip. Do not tighten the 5 x 25 mm self-tapping screws yet.



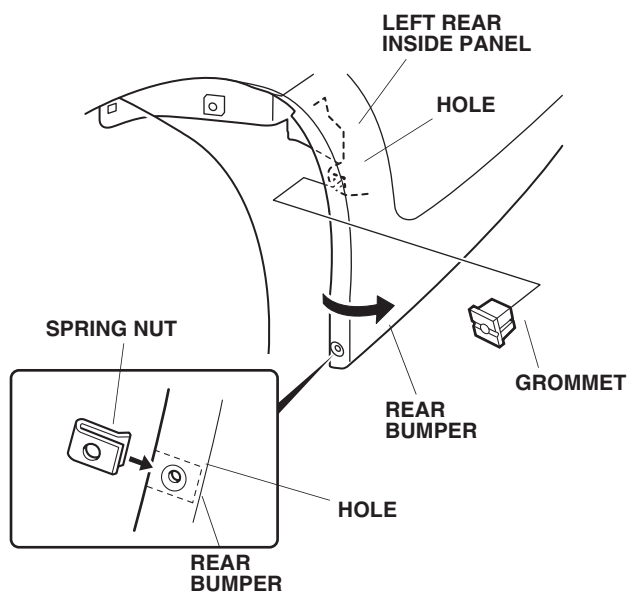
- While holding the left front splash guard against the left front inner fender, tighten the 5 x 25 mm self-tapping screws in the order shown, then set the clip (1 → 2 → 3 → 4).
- Turn the steering wheel all the way clockwise, and repeat steps 2 through 5 to install the right front splash guard.

Installing the Rear Splash Guards

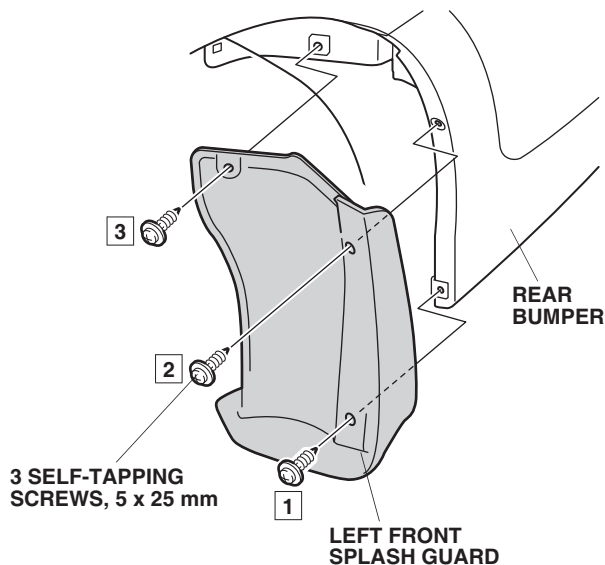
- Remove three self-tapping screws in the left rear inner fender as shown.
- Remove and discard the left rear inner fender.



- Install the grommet into the hole in the left rear inside panel. Slide the spring nut over the hole in the rear bumper lower hole.



- Install the left rear splash guard using three self-tapping screws. Do not tighten the 5 x 25 mm self-tapping screws yet.



- While holding the left rear splash guard against the left rear bumper, tighten the 5 x 25 mm self-tapping screws in the order shown (1 → 2 → 3).
- Repeat steps 7 through 11 to install the right rear splash guard