



# INSTALLATION INSTRUCTIONS

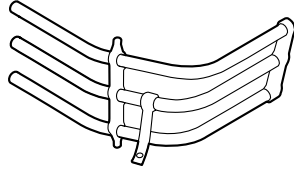
Accessory  
**MOTORCYCLE BED  
EXTENDER**  
P/N 08L26-SJC-100A

Application  
**2010 RIDGELINE**

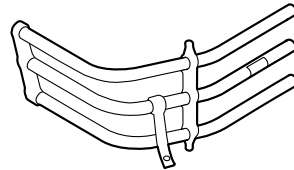
Publications No.  
**All 42145**  
Issue Date  
**AUG 2009**

## PARTS LIST

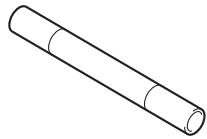
Left tube



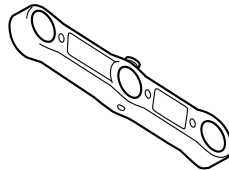
Right tube (with label)



3 Center tubes



2 Upright bars



6 Threaded wedges



6 Non-threaded wedges



6 T-20 Torx screws



2 Snap-screws



2 Washers



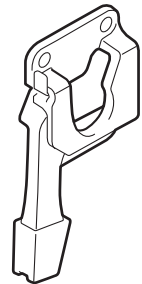
2 Well nuts



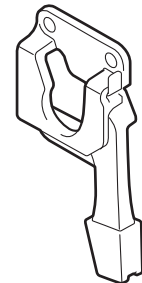
6 Hex bolts



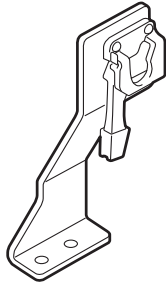
Left latch



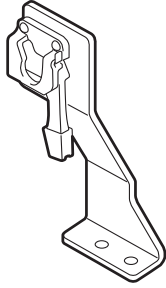
Right latch



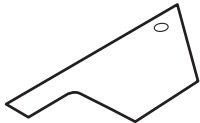
Left bracket (with latch)



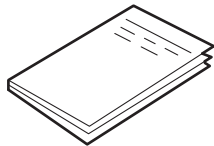
Right bracket (with latch)



Template



Accessory User's Information Manual



## TOOL AND SUPPLIES REQUIRED

Ratchet  
10 mm Socket  
T-20 Torx wrench  
T-50 Torx wrench  
Tape measure  
Drill  
3 mm and 8 mm Drill bits  
Center punch  
Eye protection (face shield, safety goggles, etc.)  
Phillips screwdriver  
Felt-tip pen  
Awl  
4 mm Hex wrench  
File

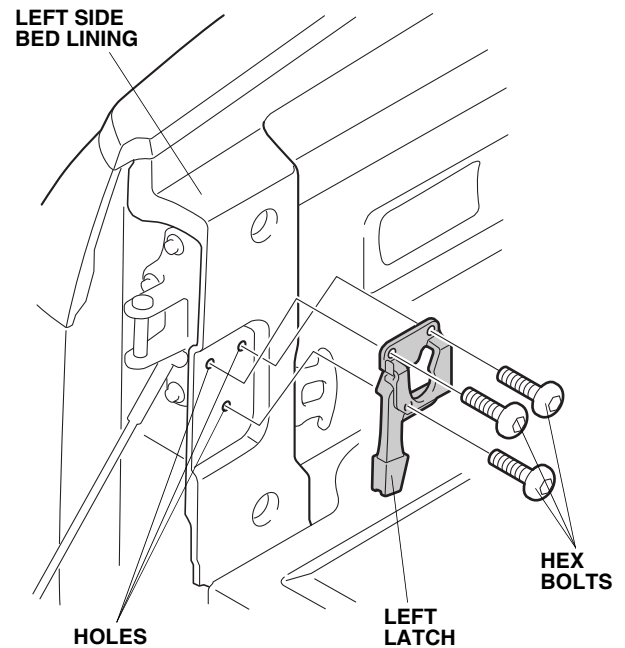
## INSTALLATION

**Customer Information:** The information in this installation instruction is intended for use only by skilled technicians who have the proper tools, equipment, and training to correctly and safely add equipment to your vehicle. These procedures should not be attempted by "do-it-yourselfers."

### NOTE:

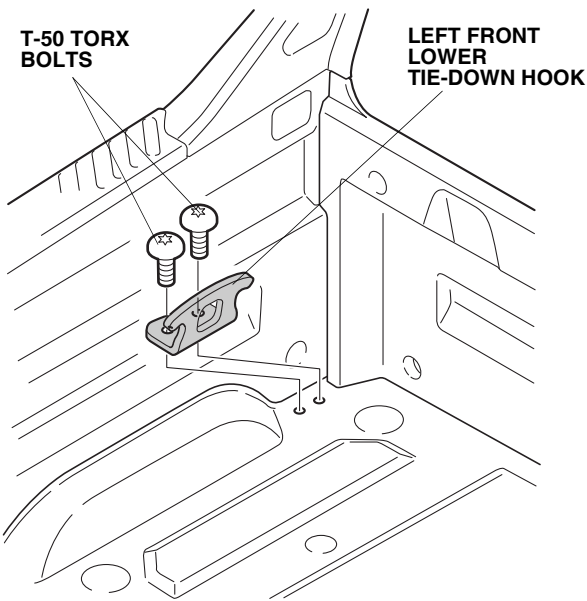
Do not damage the body paint finish.

1. Using an awl, pierce through the seals in the holes on the left side bed lining.

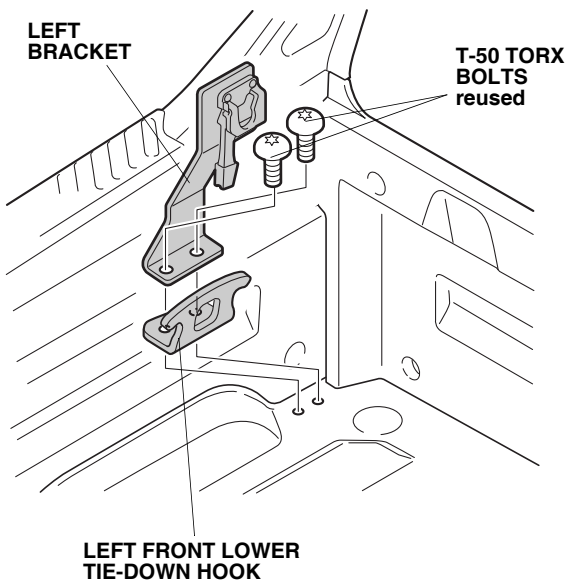


2. Install the left latch to the left side bed lining with three hex bolts.

- Remove the left front lower tie-down hook (two T-50 torx bolts).

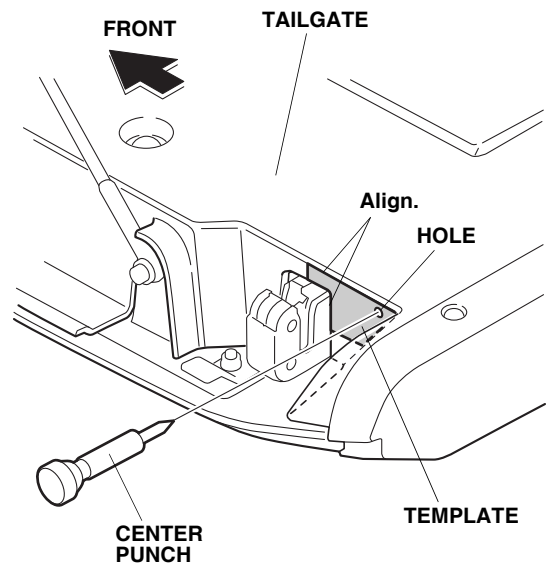


- Reinstall the left front lower tie-down hook and the left bracket with two T-50 torx bolts (reused).

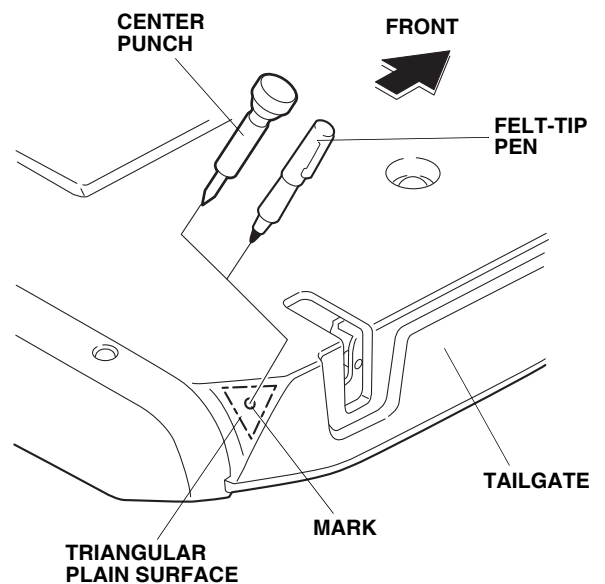


- Repeat steps 1 through 4 on the right side of the vehicle.

- On the left side of the tailgate, position the template to the tailgate as shown.

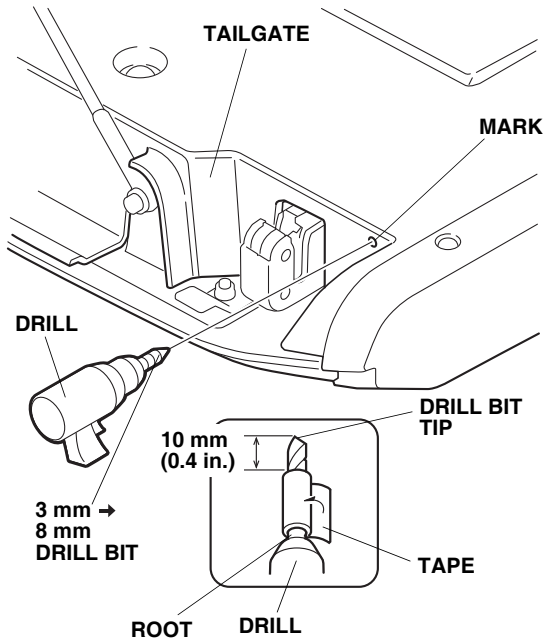


- Using a center punch, mark the tailgate at the hole on the template. Remove the template.
- Using a felt-tip pen, mark the right side of the tailgate at the center of the triangular plain surface as shown.

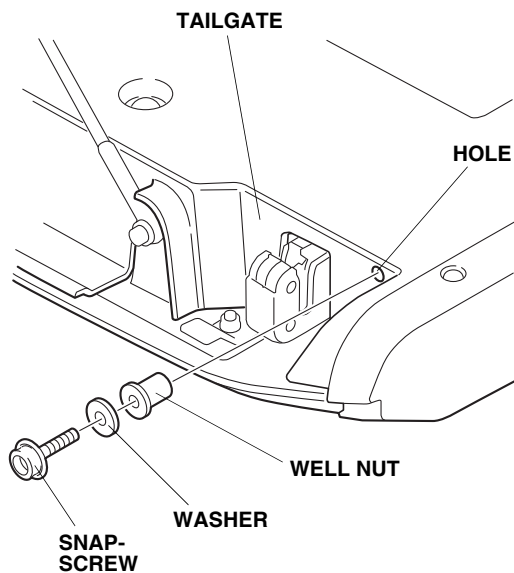


- Using a center punch, mark the tailgate at the mark made in step 8.

- While wearing eye protection, drill a 3 mm hole at the mark on the left side of the tailgate. Widen the hole with a 8 mm drill bit. To prevent damage to the inner vehicle parts, wrap a tape around the drill bit tip to the root in the measurement as shown. Remove any burrs.

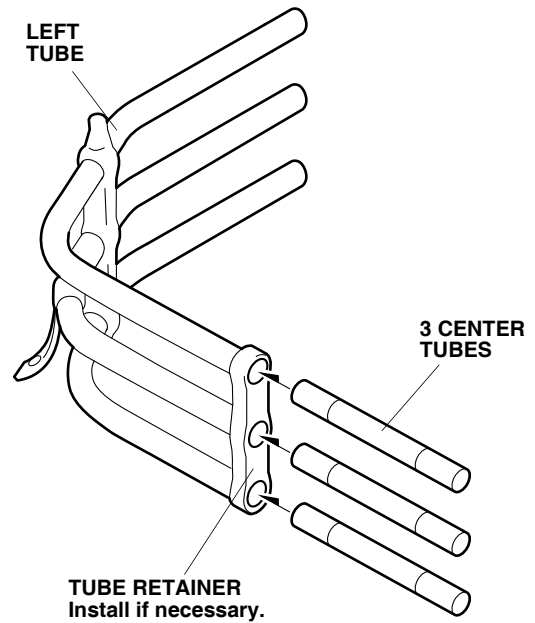


- Secure one well nut into the hole made in step 10.

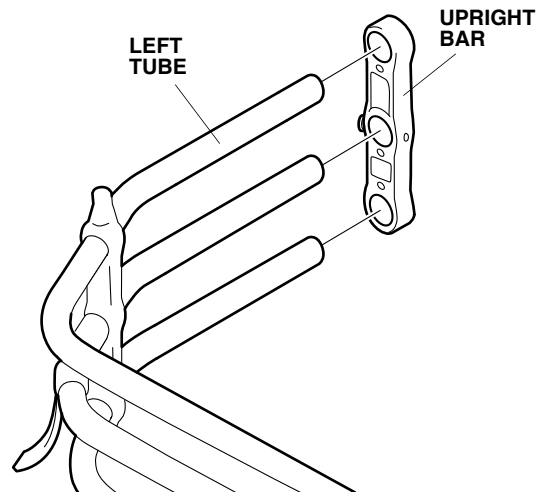


- Secure one snap-screw and one washer to the well nut.
- Repeat steps 10 through 12 on the right side of the tailgate.

- Insert three center tubes to the left tube.

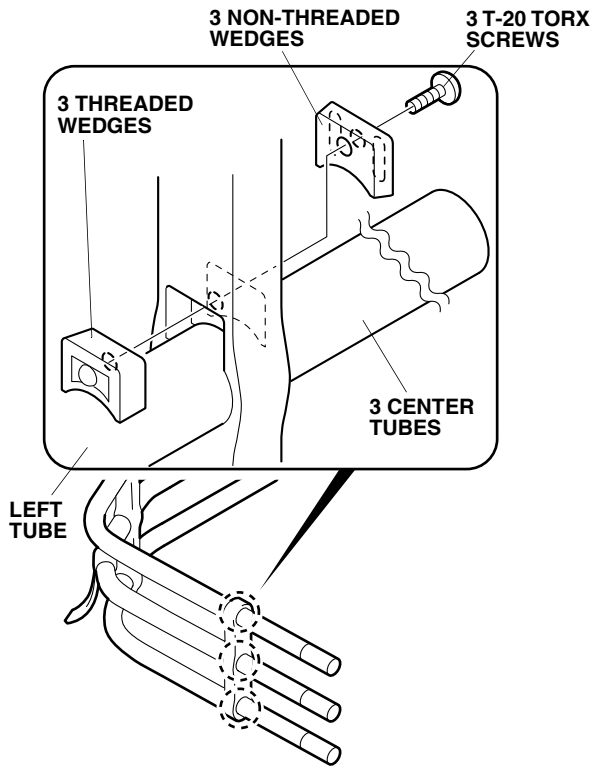


- Install the upright bar to the left tube. Make sure to install the upright bar in the correct orientation.

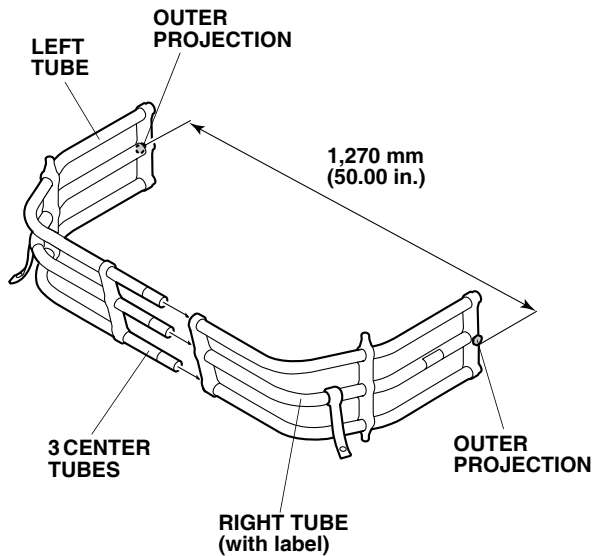


- Repeat step 15 for the right tube.

17. Align the non-threaded wedge with the threaded wedge at three joints between the left and center tubes, then secure the wedges with one T-20 torx screw each.

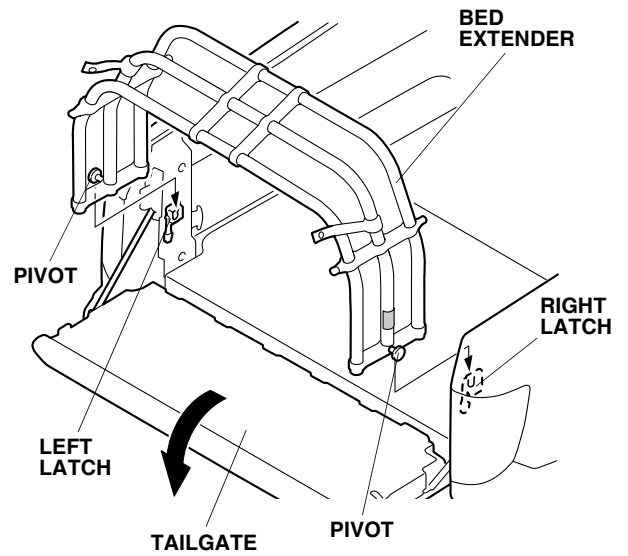


18. Insert three center tubes to the right tube (with label).

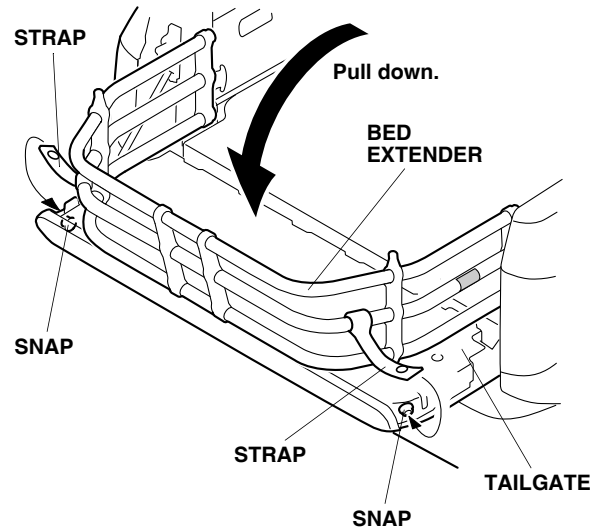


19. Adjust three center tubes so that the distance between the outer projections on the ends of the right tube (with label) and left tube is 1,270 mm (50.00 in.).

20. Open the tailgate.

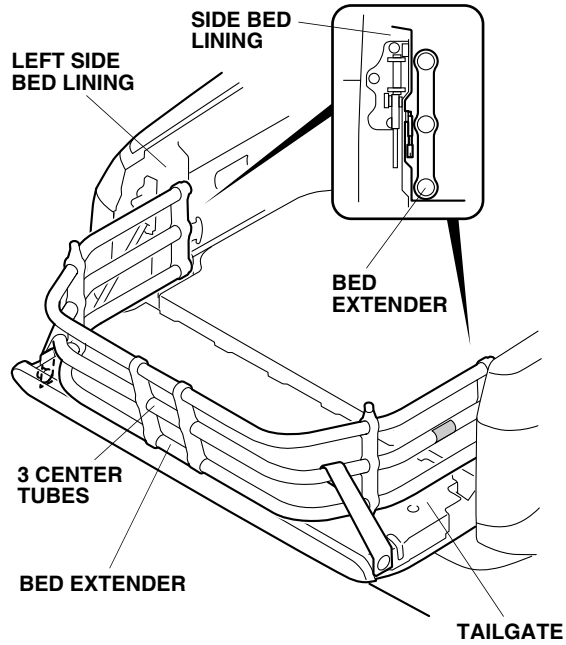


21. Insert two pivots on the bed extender to the latches.  
22. Carefully pull down the bed extender onto the tailgate.

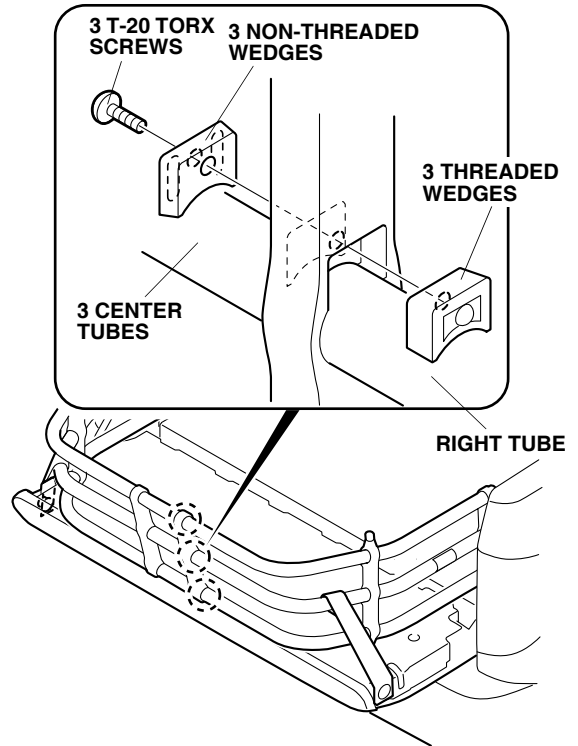


23. Secure two straps on the bed extender to two snaps on the tailgate.

24. Align the center tubes so that there is a consistent gap between the bed extender and the side bed lining.



25. Align the non-threaded wedge with the threaded wedge at three joints between the right and center tubes, then secure the wedges with one T-20 torx screw each.



26. Install the bed extender as described in the Accessory User's Information Manual provided.