



# INSTALLATION INSTRUCTIONS

Accessory

**CARGO NET**  
P/N 08L96-S2A-100

Application

**2007 S2000**

Publications No.

**All 33371**

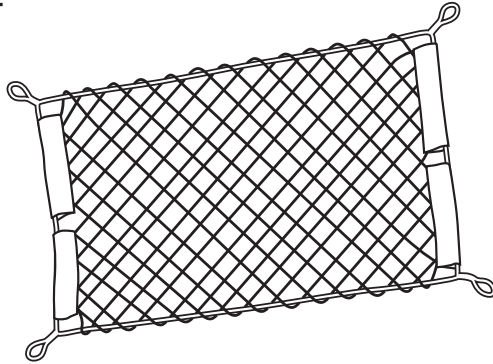
Issue Date

**AUG 2006**

**Put a copy of this instruction in the glove box with the vehicle owner's manual.**

## PARTS LIST

Cargo net



6 Hooks



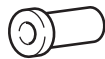
6 Screws



6 Washers



6 Well nuts



## TOOLS AND SUPPLIES REQUIRED

Drill

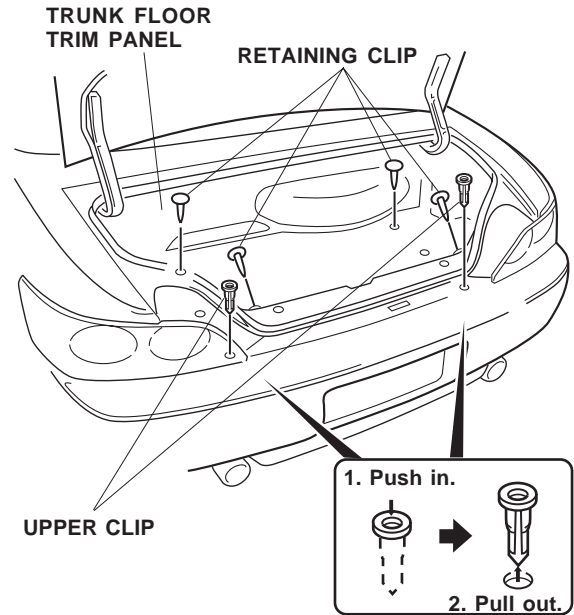
8 mm Drill bit

Eye protection (face shield, safety goggles, etc.)

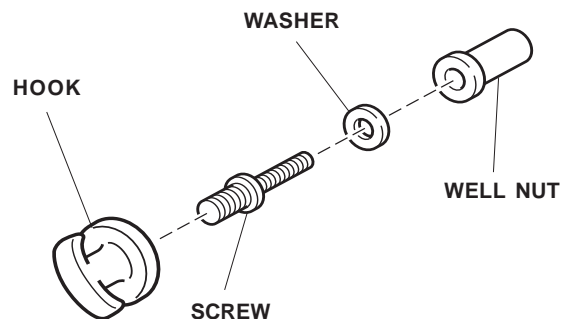
Clip remover

## INSTALLATION

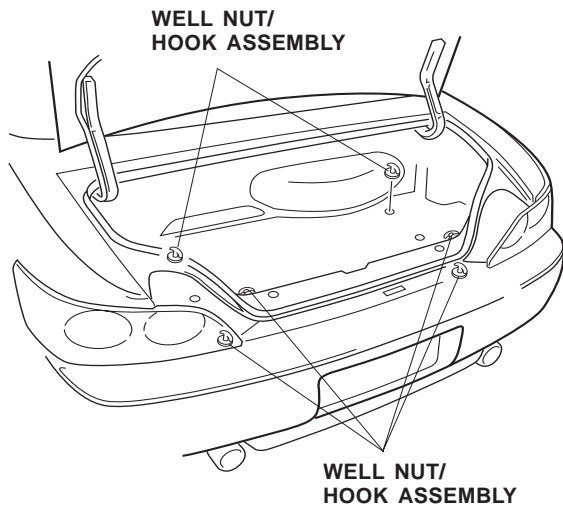
1. Inside the trunk, locate and remove only the four retaining clips shown that secure the trunk floor trim panel. Discard the four retaining clips.



2. Remove and discard only the two upper clips that secure the rear trim panel.
3. While wearing eye protection, use a drill and bit to enlarge each of the six holes where you removed the clips to 8 mm. Remove any burrs from the edges of the holes.
4. Thread a screw into each hook, and loosely assemble a washer and a well nut onto the other end of each screw as shown.



5. Install a well nut/hook assembly into each of the six holes you enlarged, and turn the hook to tighten it in place.



6. Attach the cargo net to the hooks according to your preference.

