



INSTALLATION INSTRUCTIONS

Accessory

DOOR VISOR
P/N 08R04-SJC-100

Application

2007 RIDGELINE

Publications No.

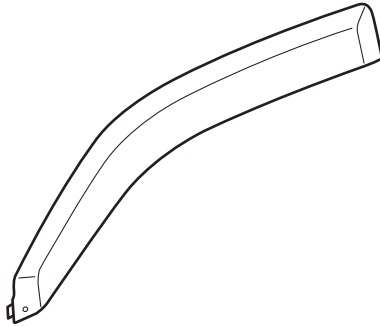
All 32442

Issue Date

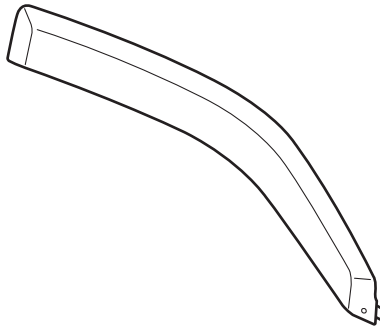
MAY 2006

PARTS LIST

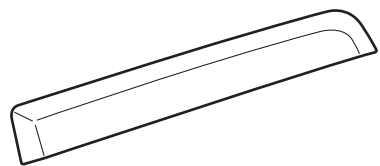
Door visor (front left)



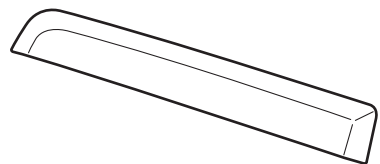
Door visor (front right)



Door visor (rear left)



Door visor (rear right)



2 EPT sealers



SUPPLIES REQUIRED

Isopropyl alcohol

Shop towel

Masking tape

Tape measure

INSTALLATION

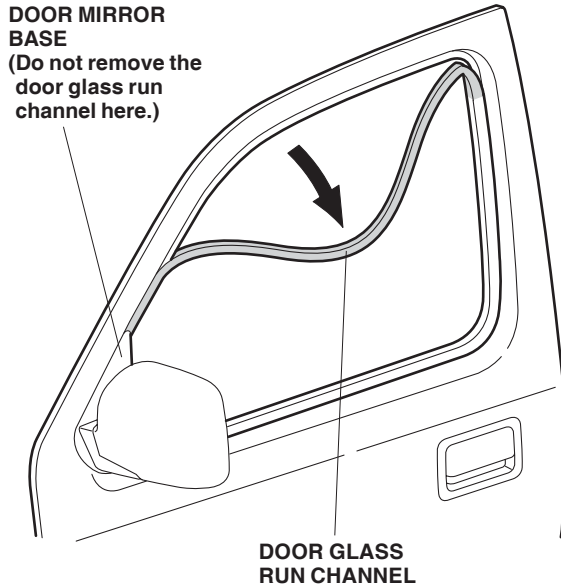
Customer Information: The information in this installation instruction is intended for use only by skilled technicians who have the proper tools, equipment, and training to correctly and safely add equipment to your vehicle. These procedures should not be attempted by "do-it-yourselfers."

NOTE:

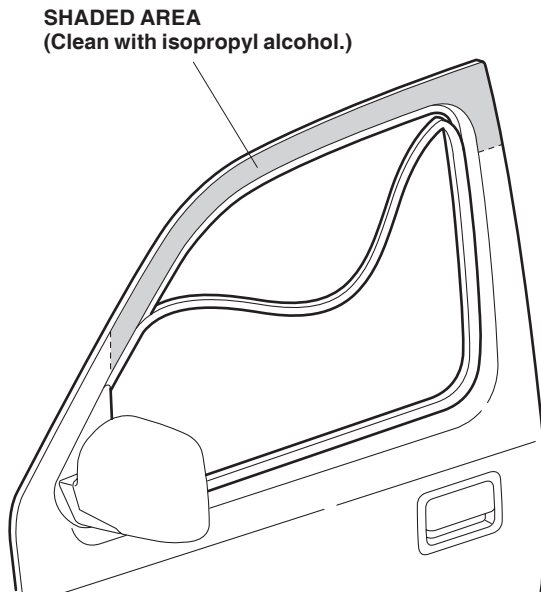
- These instructions show the left door visors being installed; the same procedure applies to installing of the right door visors.
- Be careful not to damage the body paint finish and the glass run channels when installing the door visors.
- Handle the door visors with care. They are not designed to absorb shock or impact.
- This door visor kit should only be installed if the ambient air temperature is above 60°F (15°C).
- To allow the adhesive to "cure," do not wash the vehicle for 24 hours.

Installing the Front Door Visor

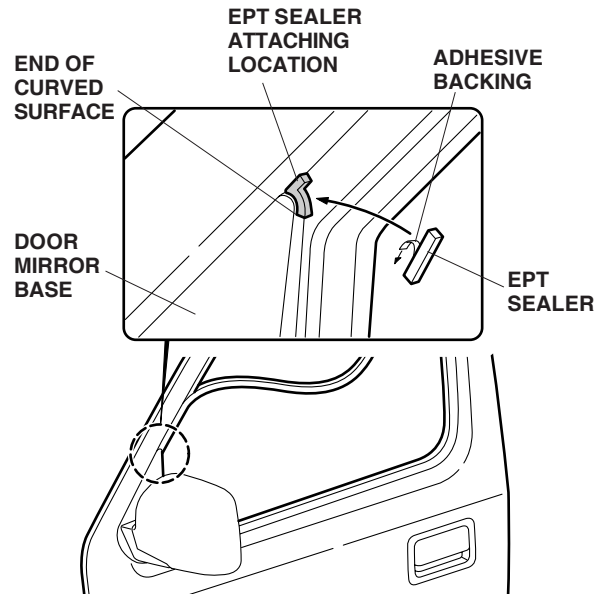
1. Lower the front door glass completely. Remove the door glass run channel from the door sash in the area shown. Do not remove the glass run channel from the door mirror base.



2. Using isopropyl alcohol on a shop towel, clean the shaded area of the door sash.

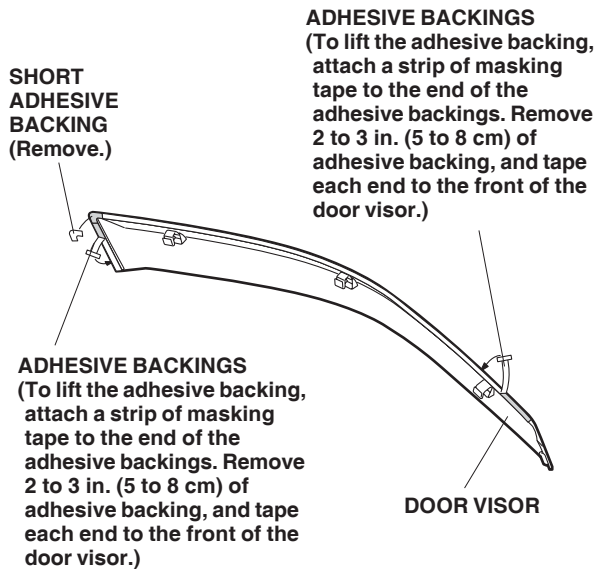


3. Locate the door sash in the area where the EPT sealer will attach. Using isopropyl alcohol on a shop towel, thoroughly clean the area.

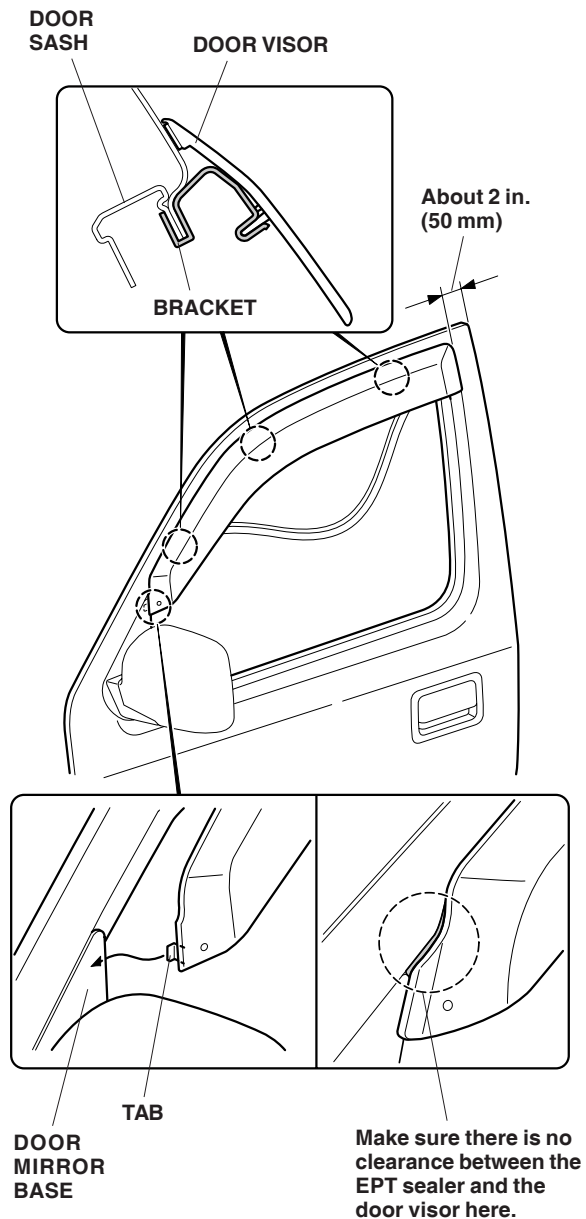


4. Remove the adhesive backing from the EPT sealer and attach it to the door mirror base as shown. The EPT sealer should cover the corner where the mirror and door sash come together. Before you remove the adhesive backing, fit the visor and check that the area where the EPT is positioned completely seals to prevent wind noise. If necessary, adjust the position of the EPT to seal between the door, the mirror, and the door sash.

- Attach a strip of the masking tape to the ends of the long adhesive backings, and remove 2 to 3 in. (5 to 8 cm) from the ends. Fold back the ends and tape the ends to the front of the door visor. Note the direction of the adhesive backings. Remove the short adhesive backing.

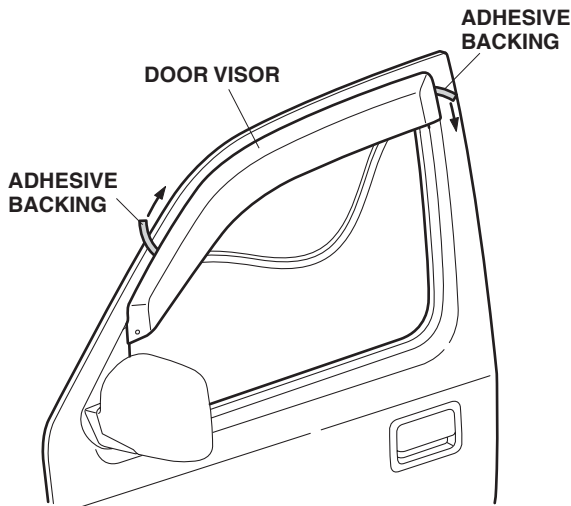


- Push the three door visor brackets onto the door sash and insert the front tab under the door mirror base.

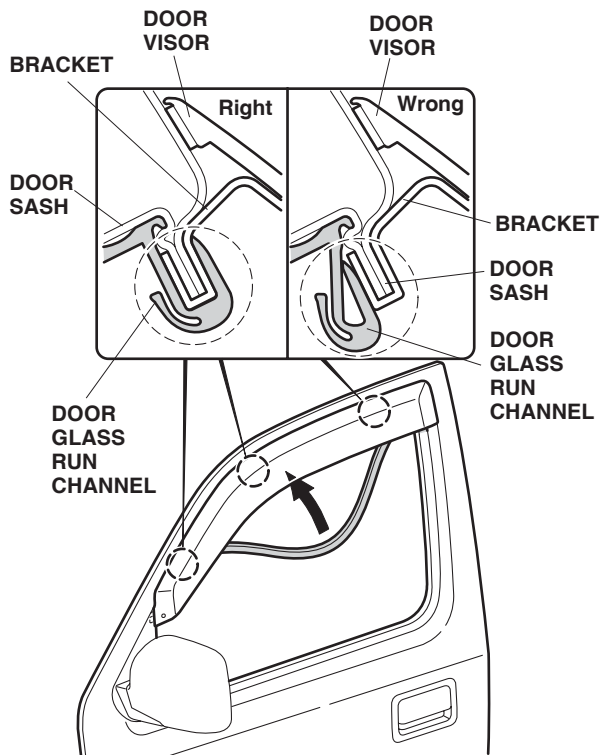


- Check that the distance between the rear end of the door visor and front door is about 2 in. (50 mm).

- While holding light pressure on the door visor, carefully remove the adhesive backing in the directions shown. Using the palm of your hand, hold the door visor firmly against the door for 30 seconds.

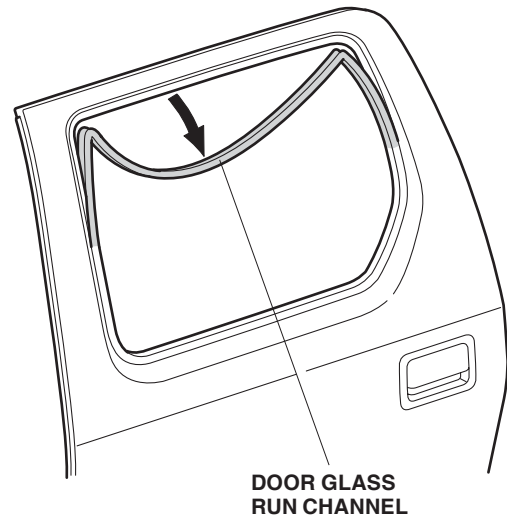


- Reinstall the door glass run channel. Seat the glass run channel properly around the three brackets.

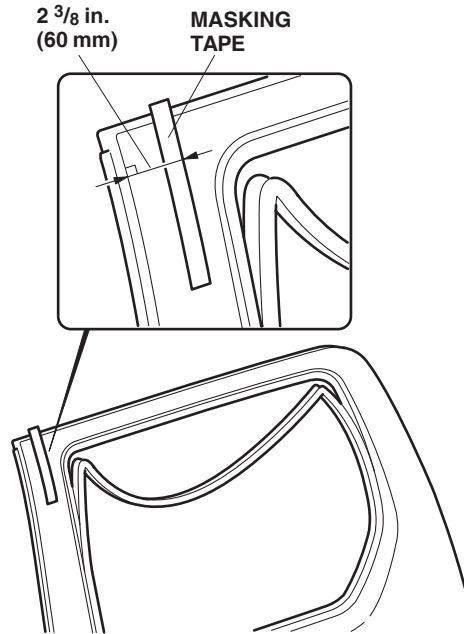


Installing the Rear Door Visor

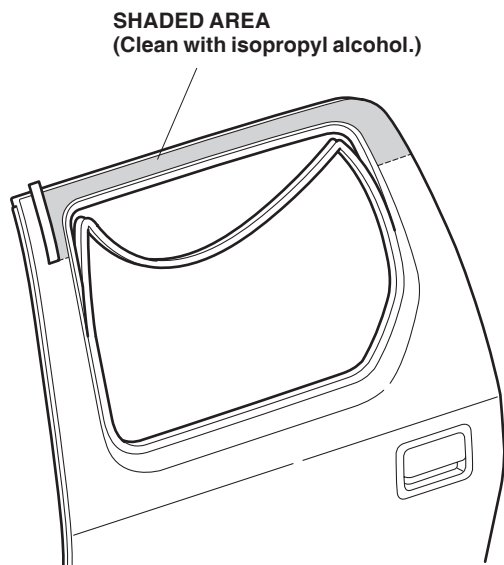
- Lower the rear door glass completely. Remove the door glass run channel from the door sash in the area shown.



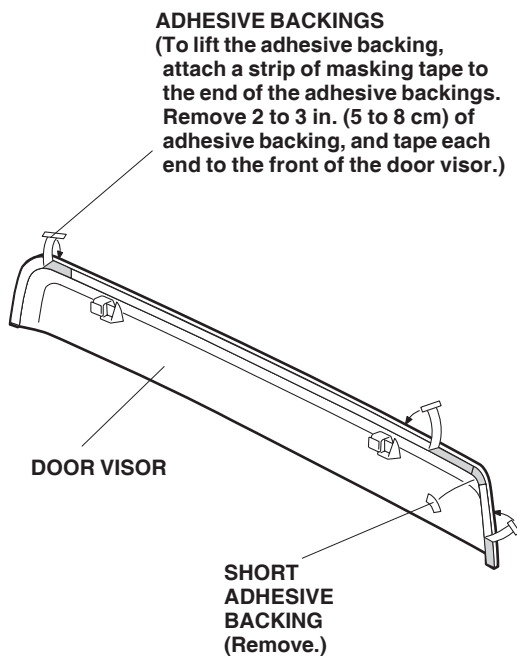
- Using a tape measure and a felt-tip pen, measure and mark the front end of the rear door and mark the measurement with masking tape.



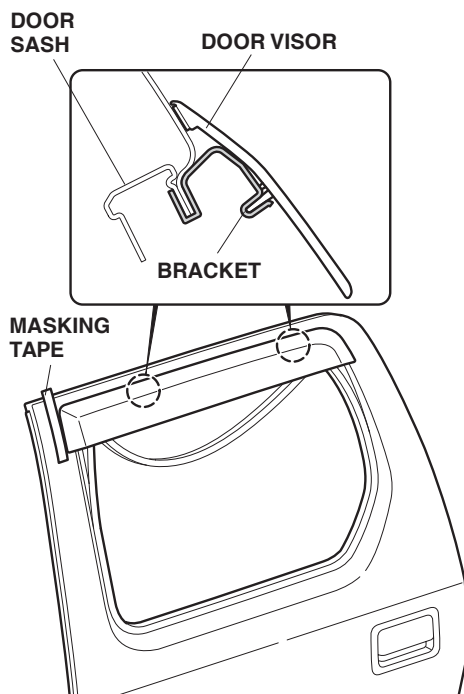
12. Using isopropyl alcohol on a shop towel, clean the shaded area of the door sash.



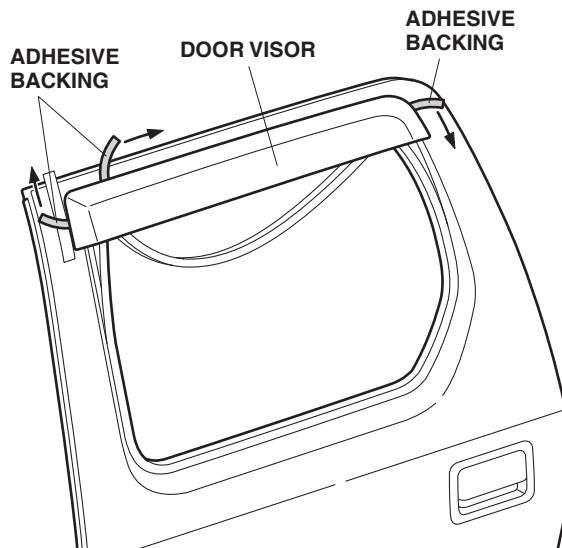
13. Attach a strip of the masking tape to the ends of the long adhesive backings, and remove 2 to 3 in. (5 to 8 cm) of adhesive backings. Fold back the ends, and tape the ends to the front of the door visor. Remove the short adhesive backing.



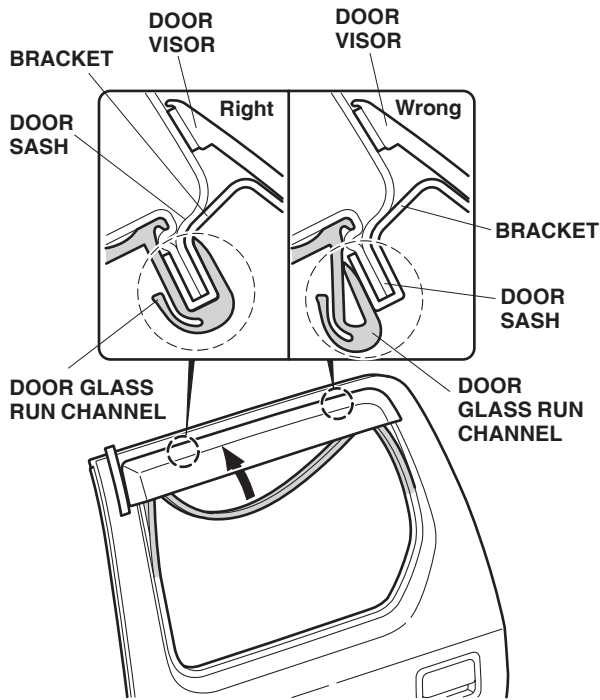
14. Push the two door visor brackets onto the door sash.



15. Align the front end of the door visor with the masking tape. While holding light pressure on the door visor, carefully remove the adhesive backing in the directions shown. Using the palm of your hand, hold the door visor firmly against the door for 30 seconds.



16. Reinstall the door glass run channel. Seat the glass run channel properly around the two brackets.



17. Repeat steps 1 through 16 to install the door visors on the right side of the vehicle.
18. Raise and lower all the windows several times to seat the glass run channels.

USE AND CARE

- To clean the door visor, wipe it with a soft cloth dampened with clean water.
- To remove dust and dirt, clean with a solution of liquid dishwashing soap and water using a soft cloth or chamois. Never use organic solvents such as thinner, benzene, alcohol, or cleaners containing compounds.