



INSTALLATION INSTRUCTIONS

Accessory
WOOD-GRAIN DOOR SWITCH TRIM KIT
 P/N 08Z03-S9V-101A

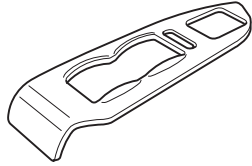
Application
2007 PILOT

Publications No.
All 33090

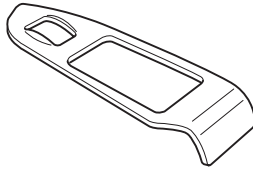
Issue Date
JULY 2006

PARTS LIST

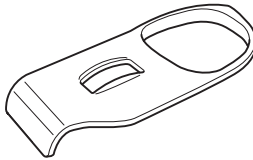
Driver's front door switch trim



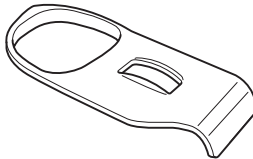
Passenger's front door switch trim



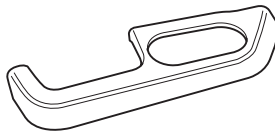
Driver's side rear door switch trim



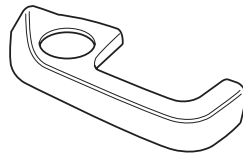
Passenger's side rear door switch trim



Driver's rear side trim



Passenger's rear side trim



SUPPLIES REQUIRED

Isopropyl alcohol
 Shop towel
 Masking tape

INSTALLATION

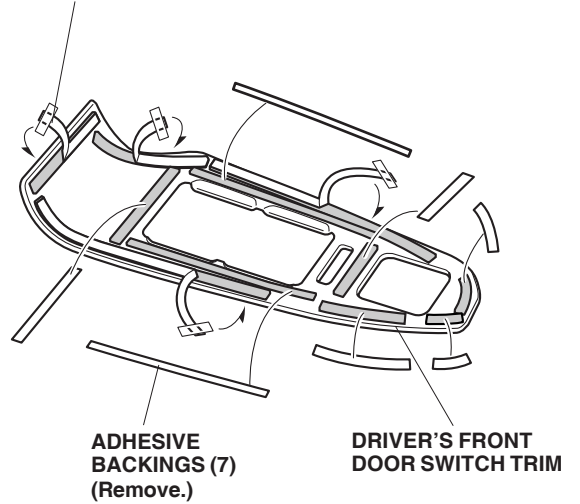
NOTE: This wood trim kit should be installed only if the outside air temperature is 60°F (15°C) or above.

- Using isopropyl alcohol on a shop towel, thoroughly clean the areas where the wood-grain trims will be attached.

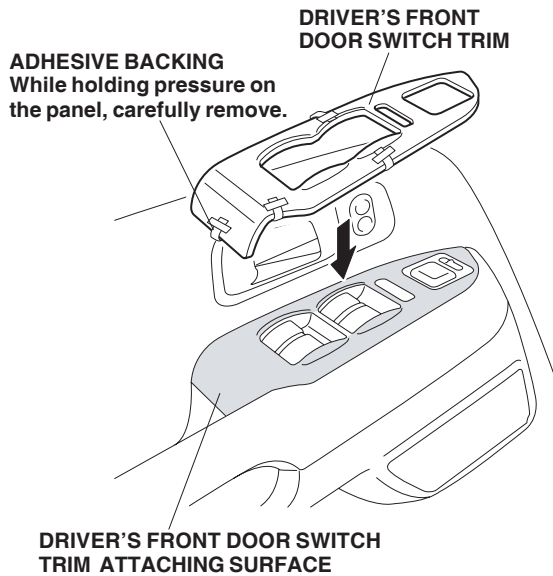
Installing the Front Door Switch Trims

- With the driver's front door switch trim placed upside down, attach a strip of masking tape to the end of each shaded adhesive backing. Pull back 2 inches of adhesive backing from the ends and fold them over as shown. Temporarily attach the strips with masking tape to the surface of the driver's front door switch trim. Remove all remaining adhesive backings from the driver's front door switch trim.

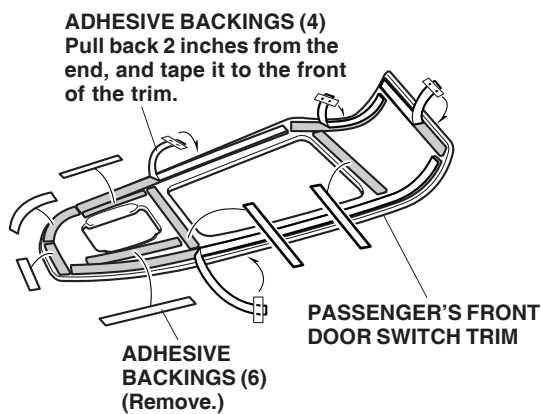
ADHESIVE BACKINGS (4)
 Pull back 2 inches from the end, and tape it to the front of the trim.



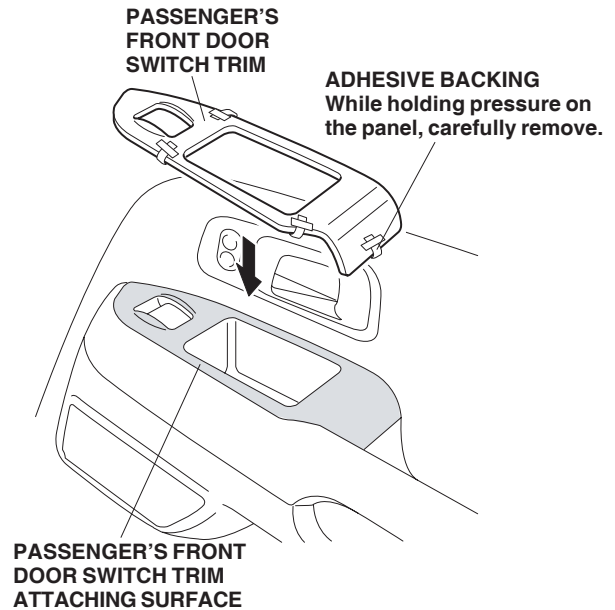
- Position the driver's front door switch trim on the existing panel. While holding pressure on the driver's front door switch trim, carefully remove the adhesive backings from the driver's front door switch trim. Hold the driver's front door switch trim firmly against the panel with the palm of your hand, particularly at the edges.



- With the passenger's front door switch trim placed upside down, attach a strip of masking tape to the end of each shaded adhesive backing. Pull back 2 inches of adhesive backing from the ends and fold them over as shown. Temporarily attach the strips with masking tape to the surface of the passenger's front door switch trim.

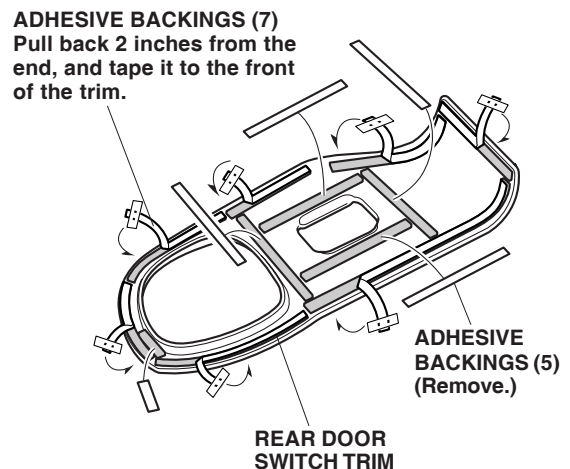


- Position the passenger's front door switch trim on the existing panel. While holding pressure on the passenger's front door switch trim, carefully remove the adhesive backings from the passenger's front door switch trim. Hold the passenger's front door switch trim firmly against the panel with the palm of your hand, particularly at the edges.

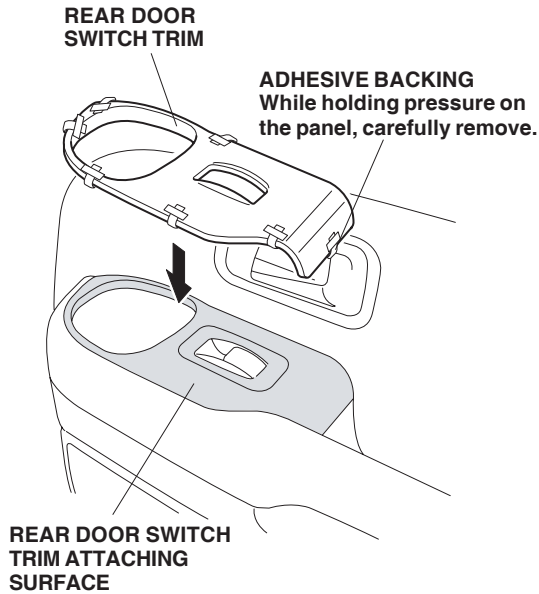


Installing the Rear Door Switch Trim

- With the rear door switch trim placed upside down, attach a strip of masking tape to the end of each shaded adhesive backing. Pull back 2 inches of adhesive backing from the ends and fold them over as shown. Temporarily attach the strips with masking tape to the surface of the rear door switch trim.

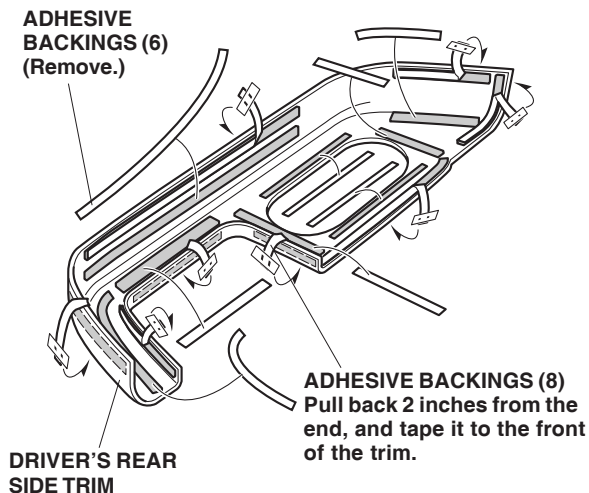


- Position the rear door switch trim on the existing panel. While holding pressure on the rear door switch trim, carefully remove the adhesive backings from the rear door switch trim. Hold the rear door switch trim firmly against the panel with the palm of your hand, particularly at the edges.

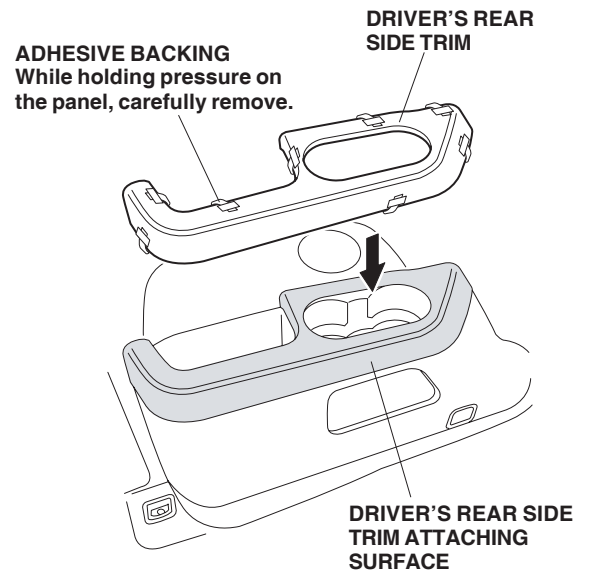


Installing the Rear Side Trims

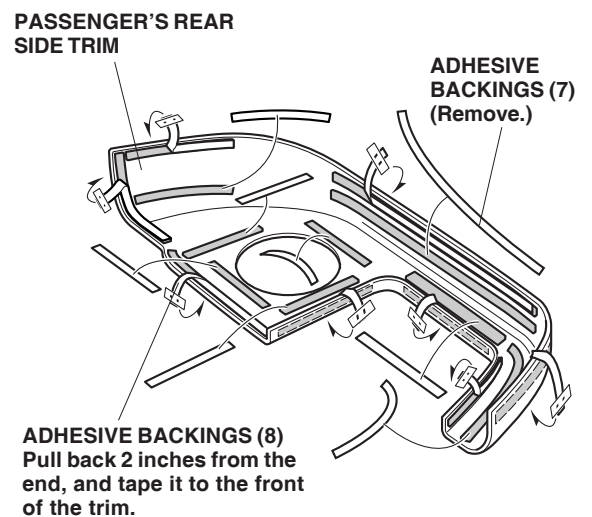
- With the driver's rear side trim placed upside down, attach a strip of masking tape to the end of each shaded adhesive backing. Pull back 2 inches of adhesive backing from the ends and fold them over as shown. Temporarily attach the strips with masking tape to the surface of the driver's rear side trim.



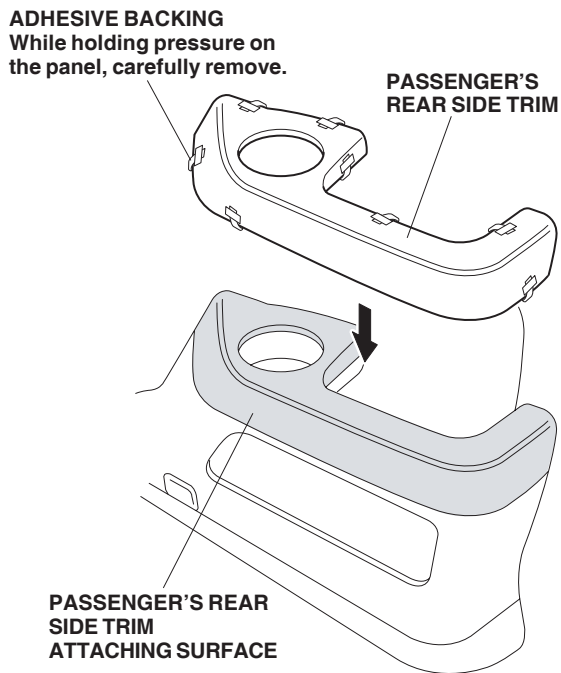
- Position the driver's rear side trim on the existing panel. While holding pressure on the driver's rear side trim, carefully remove the adhesive backings from the driver's rear side trim. Hold the driver's rear side trim firmly against the panel with the palm of your hand, particularly at the edges. Remove all remaining adhesive backings from the driver's rear side trim.



- With the passenger's rear side trim placed upside down, attach a strip of masking tape to the end of each shaded adhesive backing. Pull back 2 inches of adhesive backing from the ends and fold them over as shown. Temporarily attach the strips with masking tape to the surface of the passenger's rear side trim.



11. Position the passenger's rear side trim on the existing panel. While holding pressure on the passenger's rear side trim, carefully remove the adhesive backings from the passenger's rear side trim. Hold the passenger's rear side trim firmly against the panel with the palm of your hand, particularly at the edges. Remove all remaining adhesive backings from the passenger's rear side trim.



12. After installing the trims, use the palm of your hand to hold pressure against it for 30 seconds.
13. Remove the plastic protector from each trim piece.

USE AND CARE

Use a sponge or soft cloth dampened with mild detergent and water solution. After cleaning, wipe with a clean, soft cloth. Do not use cleaners or polishers containing compounds to clean the wood-grain trims as they may damage the surface.