

**HONDA**  
**INSTALLATION**  
**INSTRUCTIONS**

Accessory  
**TRAILER HITCH**

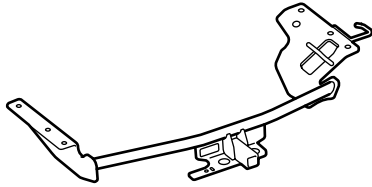
Application  
**2007 CR-V**

Publications No.  
**All 32942**  
 Issue Date  
**SEP 2006**

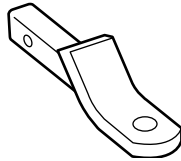
**PARTS LIST**

**Trailer Hitch Kit**  
**P/N 08L92-SWA-100**

Trailer hitch



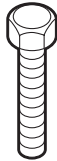
Ball mount



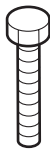
Center plate



6 Hex bolts, 10 x 40 mm



Hex bolt, 12 x 45 mm



Hex nut, 12 mm



6 Plain washers, 10 mm



Plain washer, 12 mm



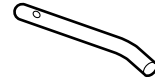
6 Spring washers, 10 mm



Spring washer, 12 mm



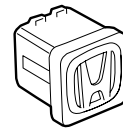
Hitch pin



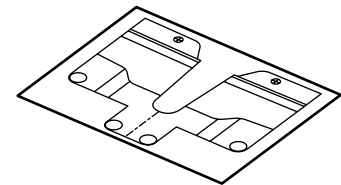
Hitch pin clip



Receiver cover



Template

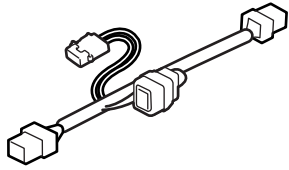


Spacer (If equipped, not used)

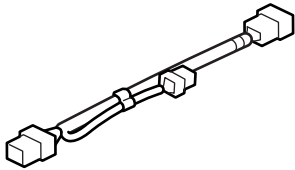


**Trailer Hitch Harness Kit  
P/N 08L91-SWA-100**

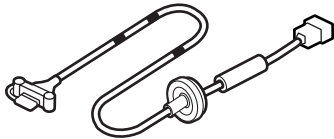
Trailer fuse harness



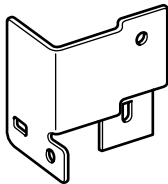
Control unit harness



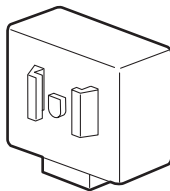
Trailer socket harness



Control unit bracket



Control unit



2 Flange bolts, 6 x 40 mm



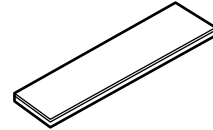
Flange bolt, 6 x 16 mm



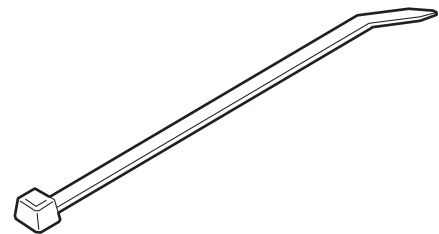
2 Flange nuts, 6 mm



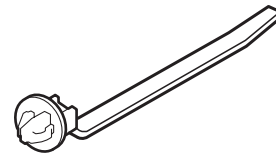
2 Harness tapes



8 Wire ties



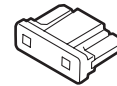
3 Wire tie with clips



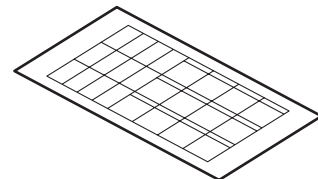
Connector clip



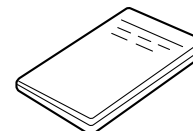
Fuse (5A)



Fuse label



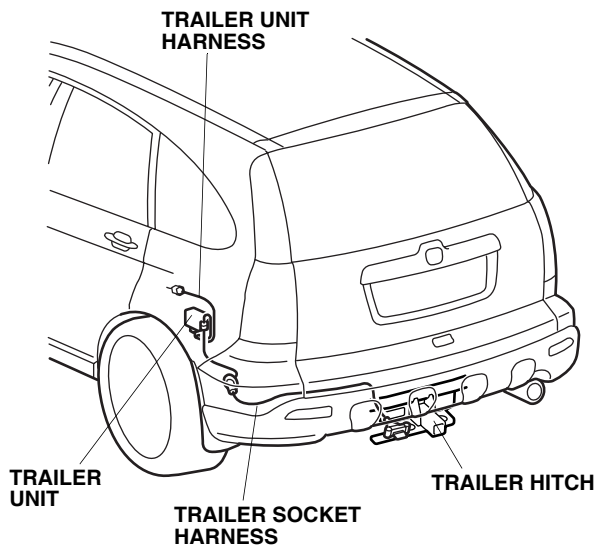
Accessory user's information manual



## TOOLS AND SUPPLIES REQUIRED

Phillips screwdriver  
Flat-tip screwdriver  
Ratchet  
5 mm, 6 mm, 10 mm, 12 mm, and 19 mm Sockets  
Utility knife  
Clip remover  
Diagonal cutters  
Scissors  
Torque wrench  
Drill  
3 mm Drill bit  
20 mm Hole saw  
Blanket  
Eye protection (safety goggles, face shield, etc.)  
Isopropyl alcohol  
Shop towel  
Hack saw blade  
Felt-tip pen  
Tape  
Push pin

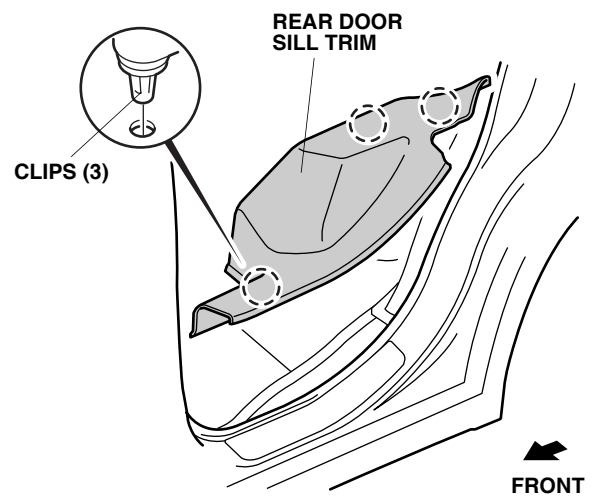
### *Illustration of the Trailer Hitch Installed on the Vehicle*



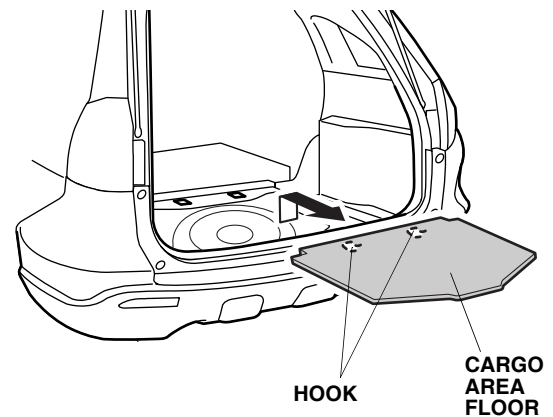
## INSTALLATION

**Customer Information:** The information in this installation instruction is intended for use only by skilled technicians who have the proper tools, equipment, and training to correctly and safely add equipment to your vehicle. These procedures should not be attempted by “do-it-yourselfers.”

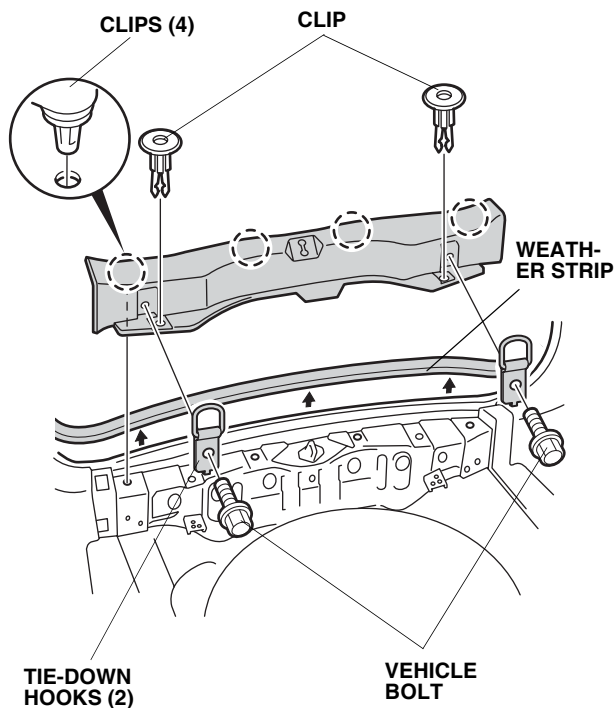
1. Make sure you have the anti-theft code for the audio and navigation system (if equipped), and write down the XM radio presets (if equipped).
2. Disconnect the negative cable from the battery.
3. Fold the rear seat forward.
4. Remove the rear door sill trim (three clips).



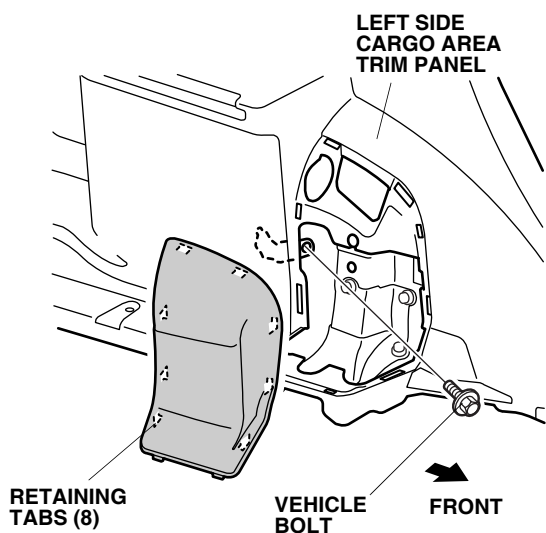
5. Remove the cargo area floor (two hooks).



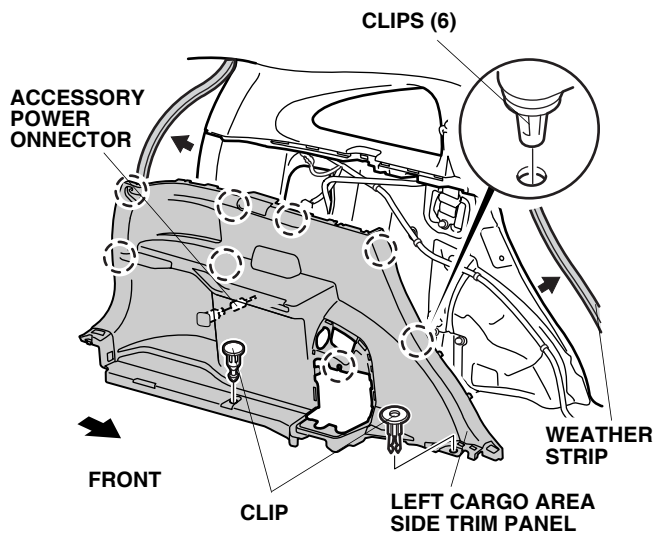
- Remove the two cargo tie-down hooks (two vehicle bolts).



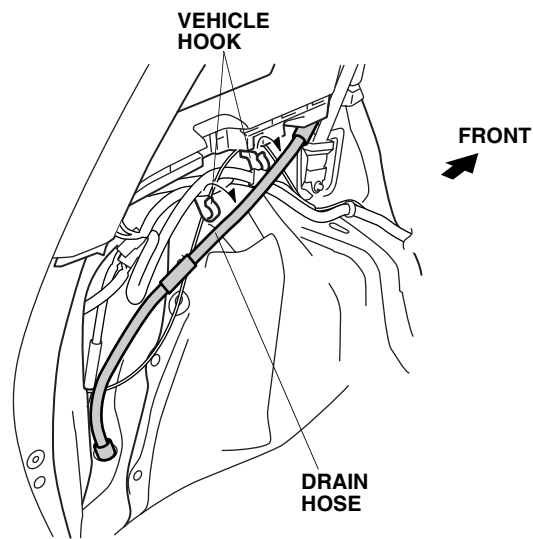
- Pull back the weatherstrip from around the rear trim panel, and remove the rear rear trim panel (four clips and two clips).
- Remove the lid from the left cargo area side trim panel (eight retaining tabs and one bolt).



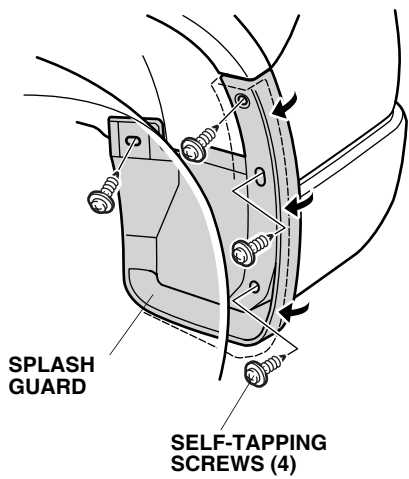
- Remove the rear door and tailgate weatherstrip from the left side rear door, and remove the washer bolt and the two clips from the trim panel.



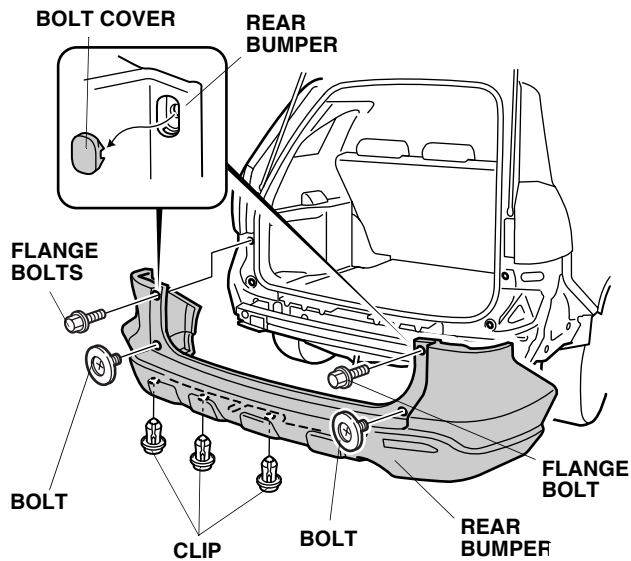
- Remove the left cargo area side trim panel (ten clips).
- Remove the drain hose from the two vehicle hooks.



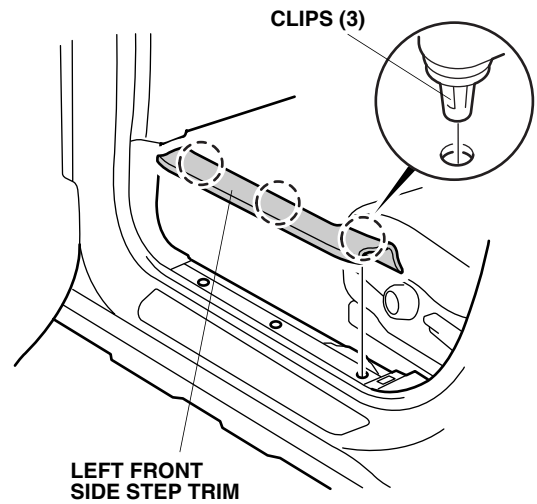
12. Remove the right rear splash guard (four self tapping screws).



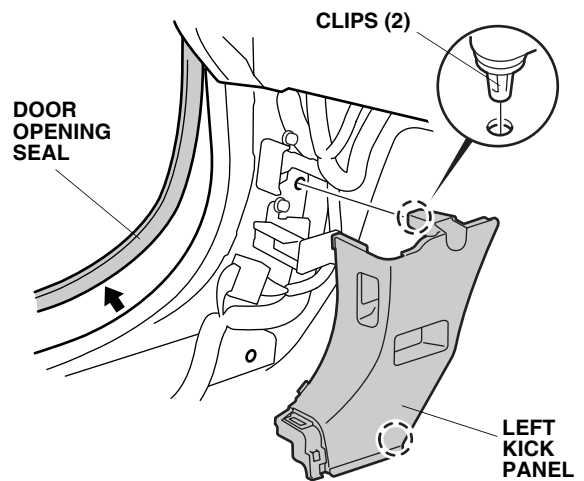
13. Remove the left rear splash guard (four self-tapping screws).
14. With the help of an assistant, remove the rear bumper (two bolt covers, two bolts, two flange bolts, and three clips).



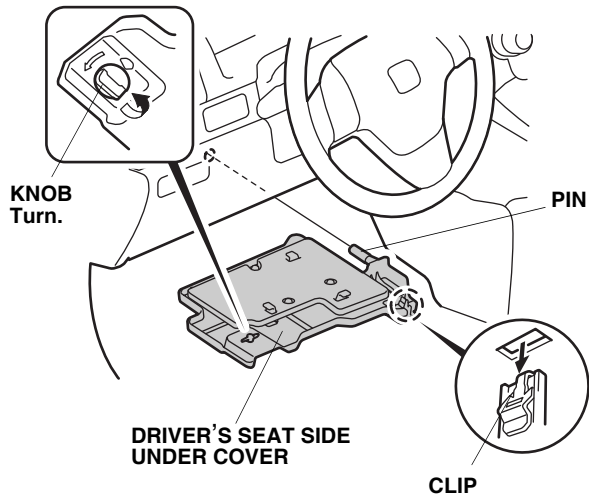
15. Remove the left front door sill trim (three clips).



16. Remove the door opening seal, from around the left kick panel and remove the left kick panel (two clips).

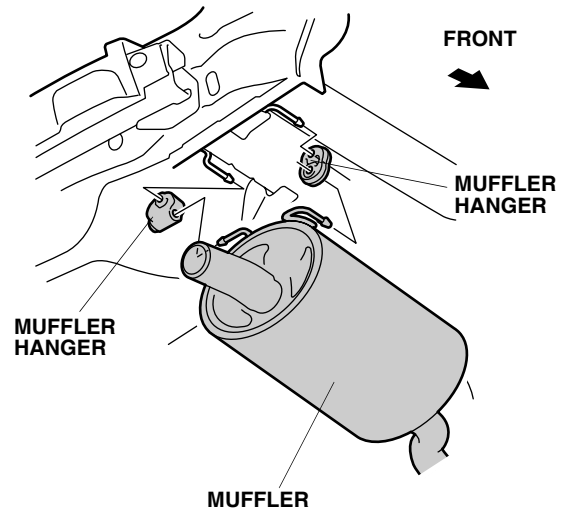


17. Remove the driver's seat side under cover (turn the knob and release the pin and the one clip).

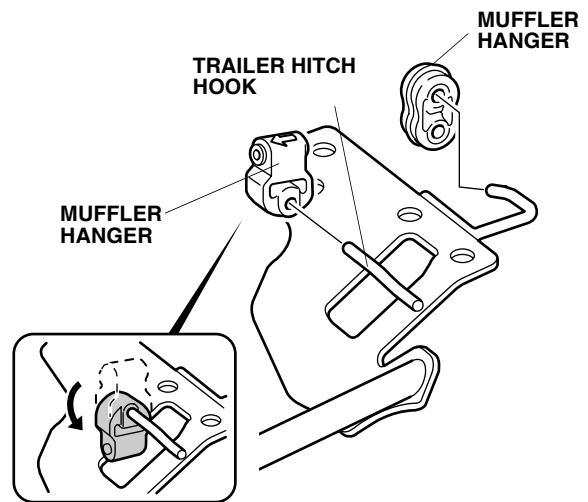


### Installing the Trailer Hitch

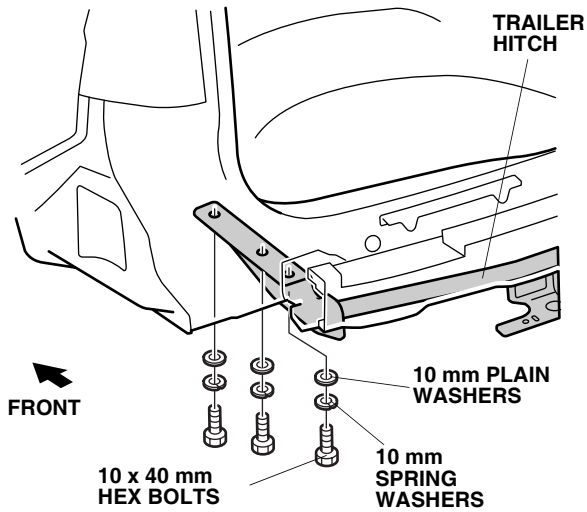
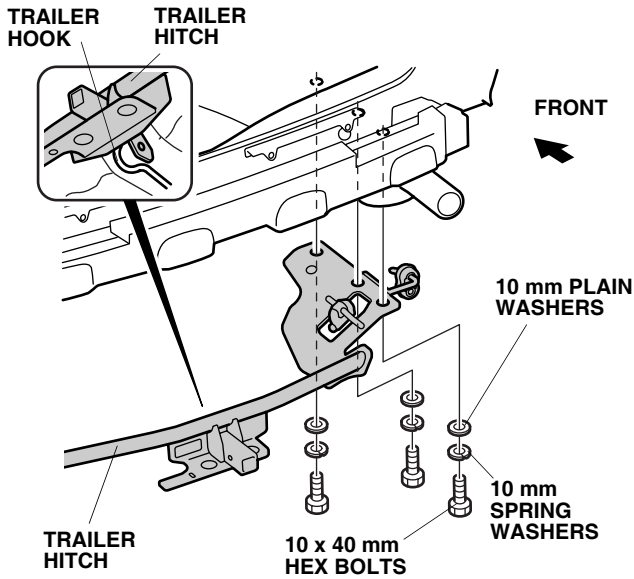
18. Slide the two muffler hangers off of the vehicle posts, then remove the two muffler hangers from the muffler.



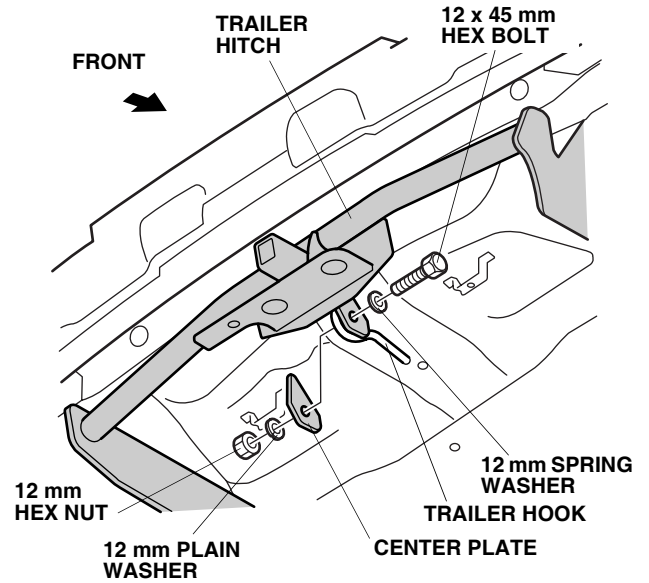
19. Install the two muffler hangers removed in the step 18 onto the hooks of the trailer hitch at the correct locations shown.



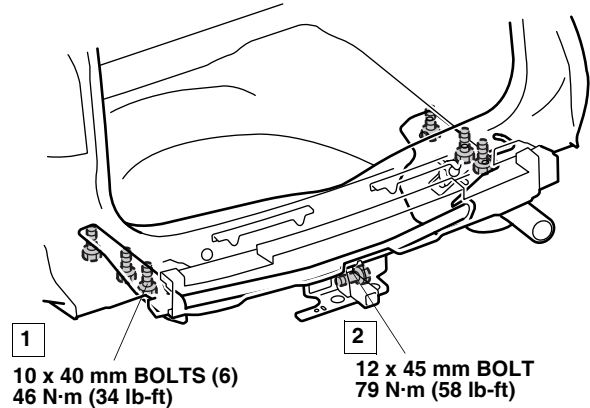
20. With the help of an assistant, install the trailer hitch on the vehicle using the six 10 x 40 mm hex bolts with spring washers and plain washers. Do not tighten the bolts at this time.



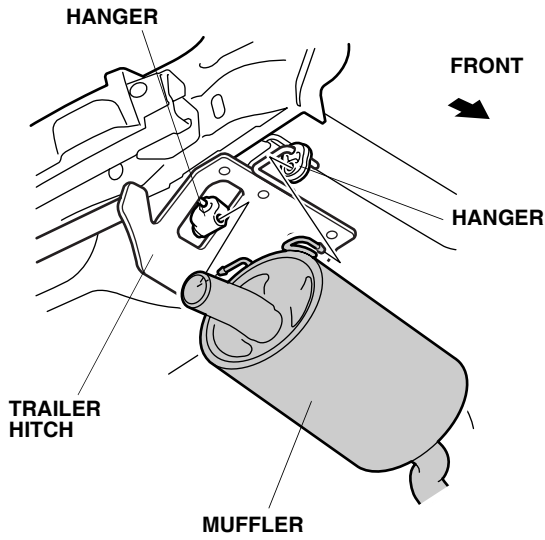
21. Install the 12 x 45 mm hex bolt with spring washer through the trailer hitch and vehicle trailer hook, then install the center plate, plain washer, and hex nut.



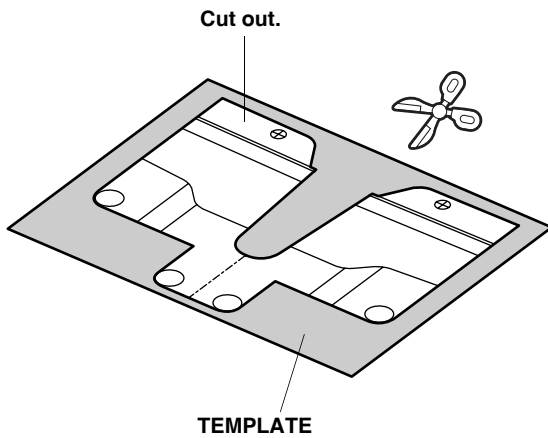
22. First torque the 10 x 40 mm bolts to 46 N·m (34 lb-ft), then torque the 12 x 45 mm bolts to 79 N·m (58 lb-ft).



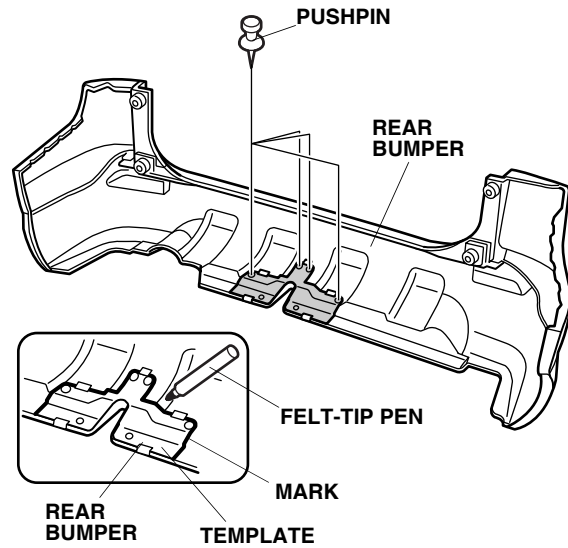
23. Install the muffler to the hangers on the trailer hitch.



24. Using scissors, cut out the template.



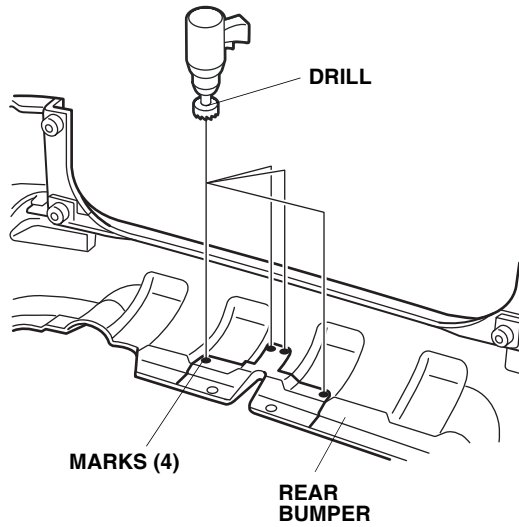
25. Position the template on the rear bumper and align its ends with the ends of the rear bumper. Secure the template to the rear bumper and mark the rear bumper as shown.



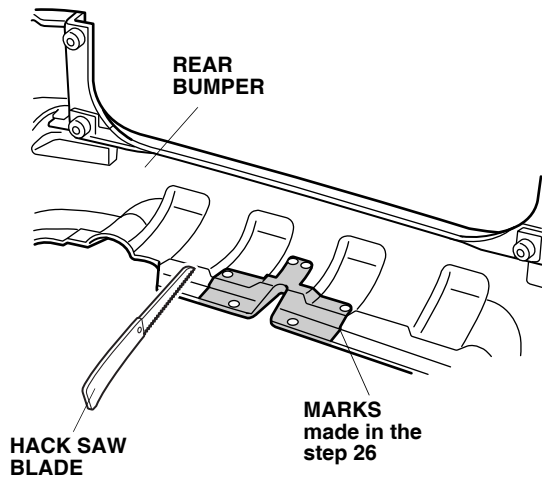
26. Using a pushpin, mark the rear bumper by piercing the template at the four marked points. Remove the template.



27. While wearing eye protection, drill the rear bumper at the marked points using a 20 mm hole saw.

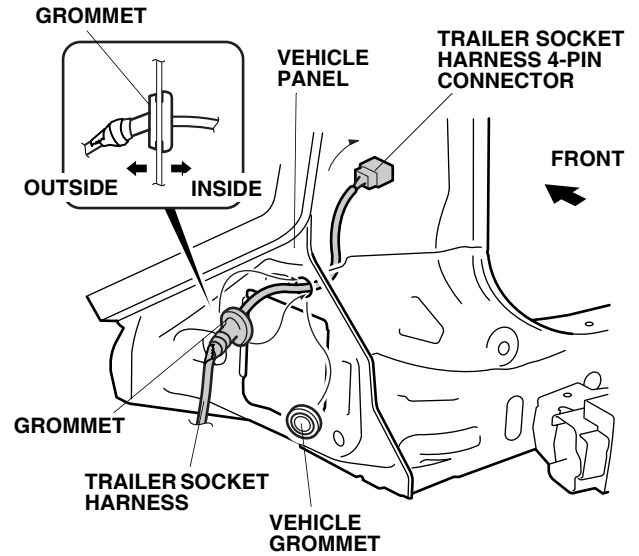


28. Using a hack saw blade, cut the rear bumper along the mark you made in the step 26.



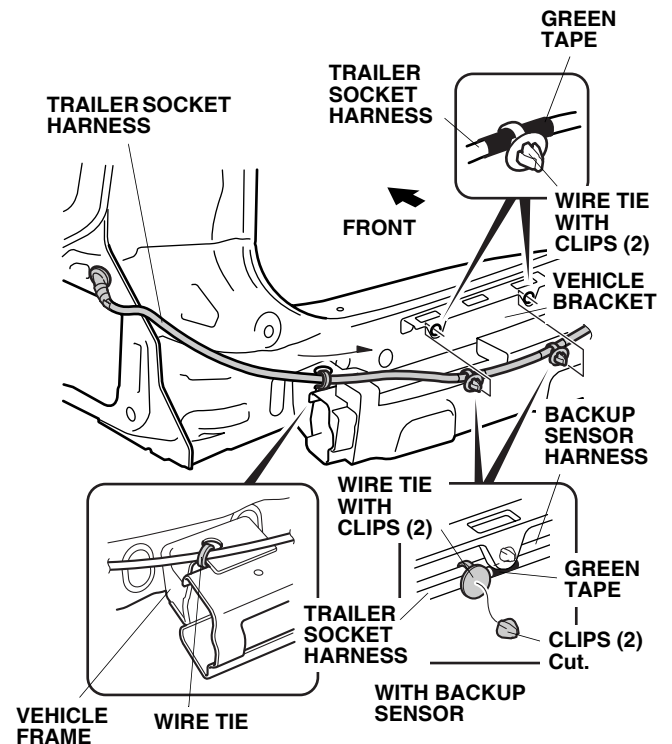
### Routing the Trailer Socket/Unit Harnesses

29. On the left rear corner of the vehicle, locate and remove the vehicle grommet.

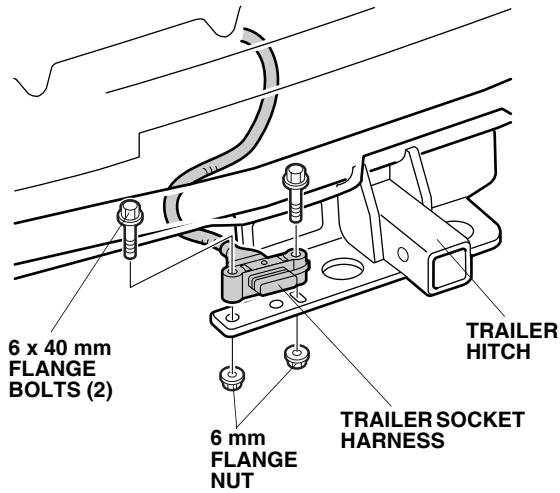


30. Route the 4-pin connector end of the trailer socket harness from the outside to the inside of the vehicle. Seat the trailer socket harness grommet on the vehicle panel.

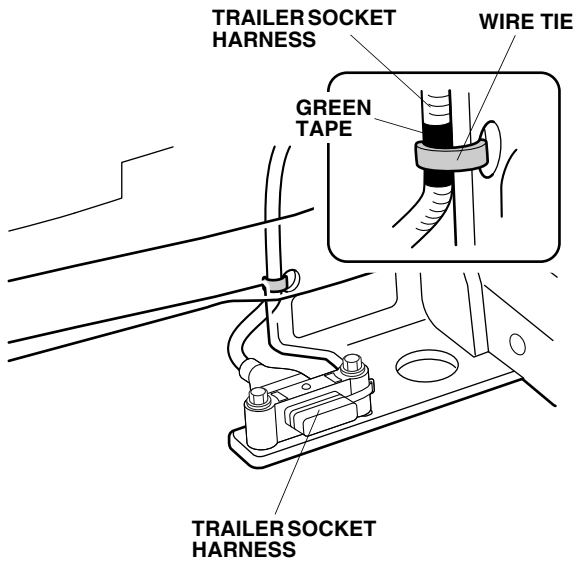
31. Secure the trailer socket harness at the green tape to the vehicle bracket using two wire ties with clips.
- NOTE: If a backup sensor is also installed, cut the clips from the backup harness wire ties with clip and secure the backup sensor harness to the trailer socket harness near the green tape.



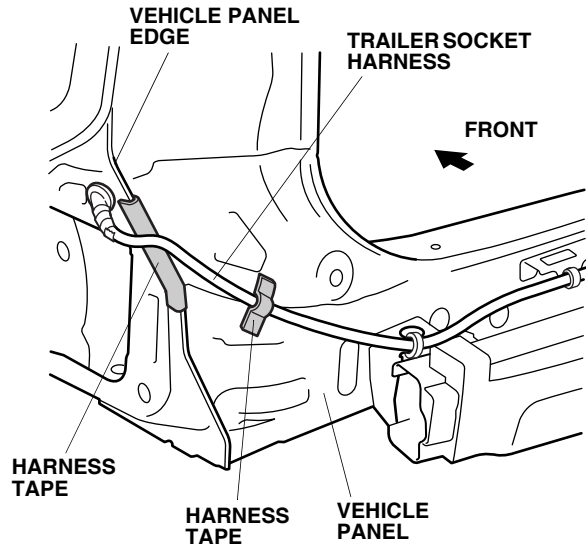
32. Secure the trailer socket harness to the vehicle frame using one additional wire tie.
33. Attach the trailer socket harness to the trailer hitch using two 6 x 40 mm flange bolts and two 6 mm flange nuts.



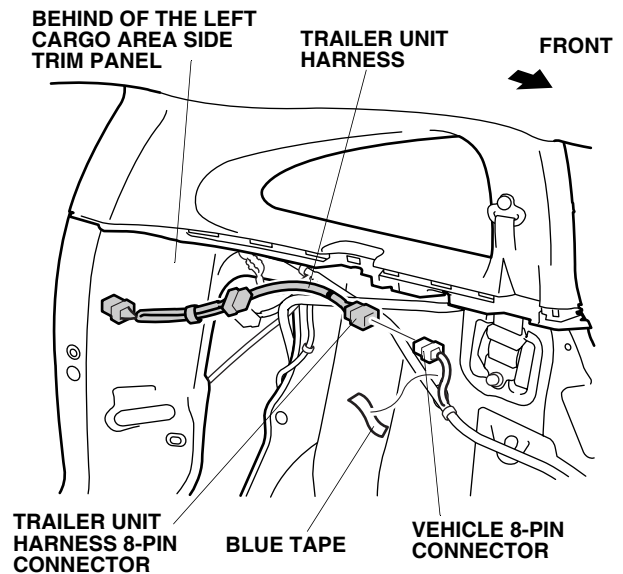
34. Secure the trailer socket harness to the trailer hitch at the green tape using one wire tie.



35. Secure the trailer socket harness to the vehicle panel using one harness tape. Attach the other harness tape to the edge of the vehicle panel in the area shown.

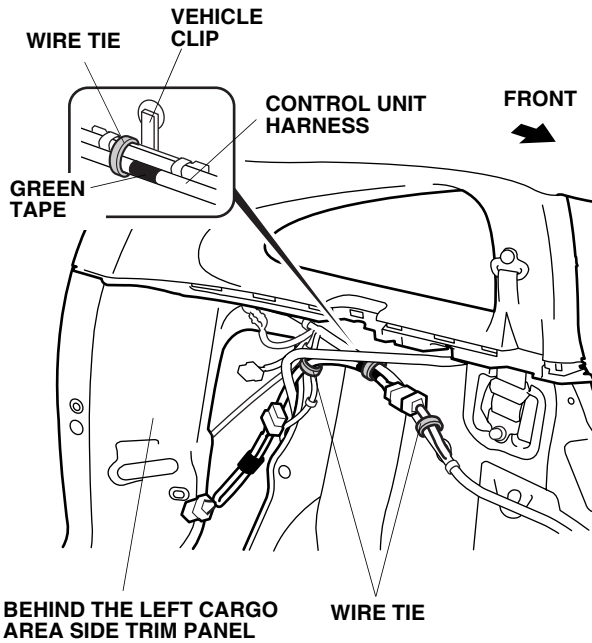


36. Along the left cargo panel, locate the vehicle 8-pin connector blue-taped to the vehicle harness. Remove the blue tape to free the connector.

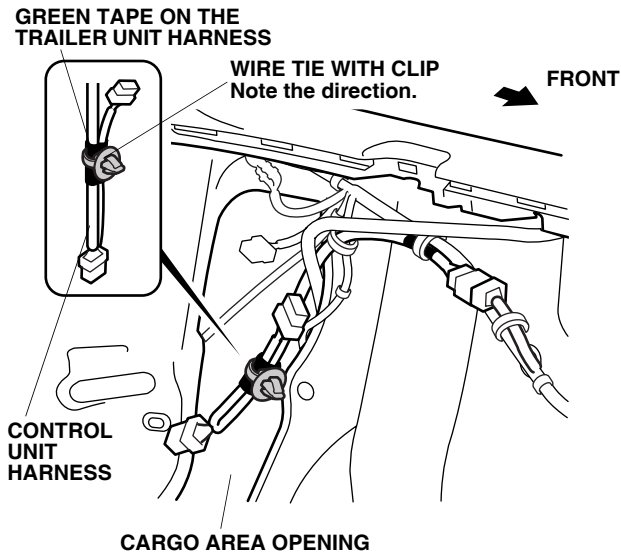


37. Get the control unit harness plug the control unit harness 8-pin connector into the vehicle 8-pin connector you just freed.

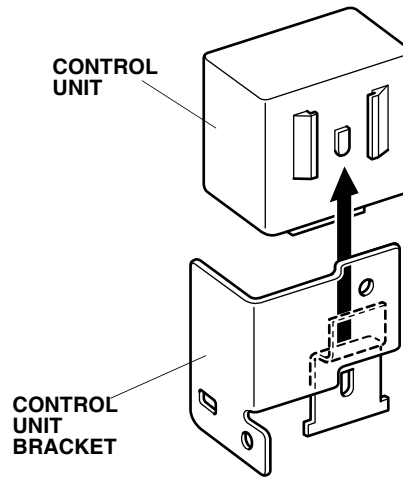
38. Secure the control unit harness next to the vehicle clip using one wire tie as shown. Don't wrap the wire tie around the washer tube.



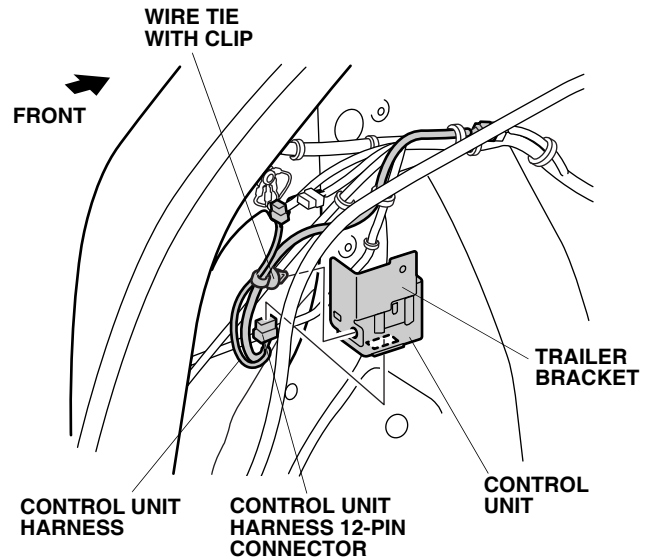
39. Secure the control unit harness to the vehicle harness using two additional wire ties as shown. Don't wrap the wire tie around the washer tube.
40. Install one wire tie with clip to the control unit harness at the green tape. Note the installation position of the clip.



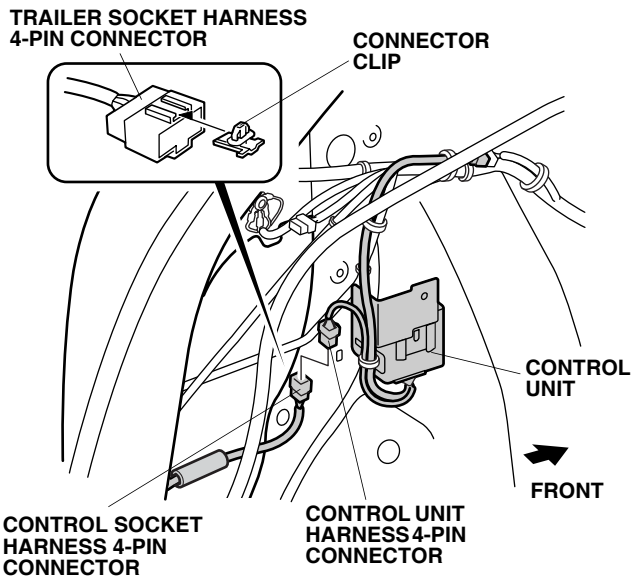
41. Slide the control unit onto the control unit bracket.



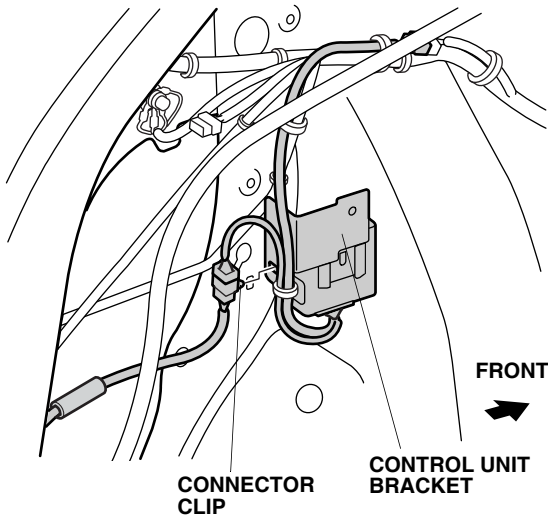
42. Plug the control unit harness 12-pin connector into the control unit, then secure the control unit harness to the control unit bracket using the wire tie with clip.



43. Slide the connector clip onto the trailer socket harness 4-pin connector.

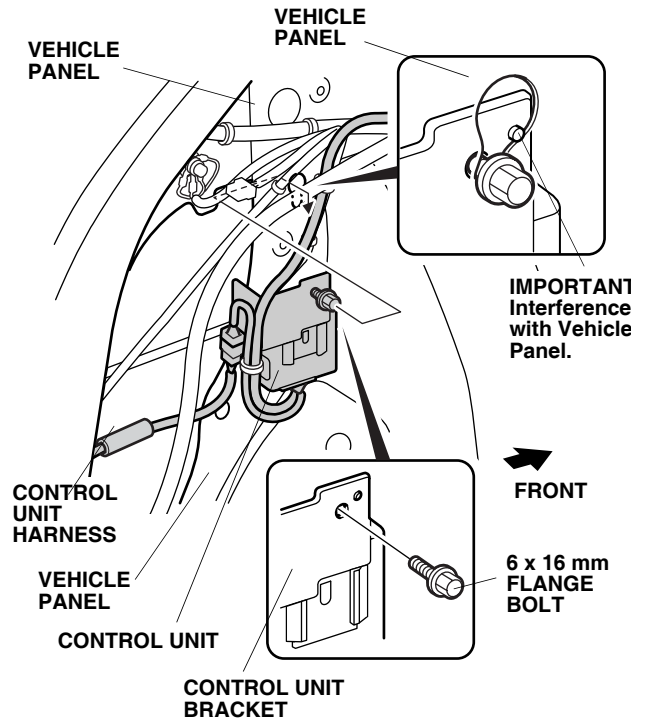


44. Plug the control unit harness 4-pin connector into the control socket harness 4-pin connector.
45. Secure the connector clip to the control unit bracket.

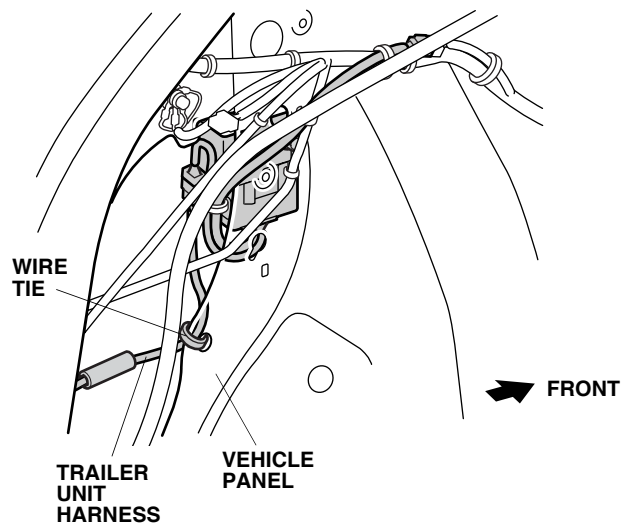


46. Loosely thread the 6 x 16 mm flange bolt into the control unit bracket.

47. Install the control unit to the vehicle panel by inserting the 6 x 16 mm bolt through the hole in the panel. Make sure the pin on the control unit bracket is inside the opening before tightening the 6 x 16 mm bolt.

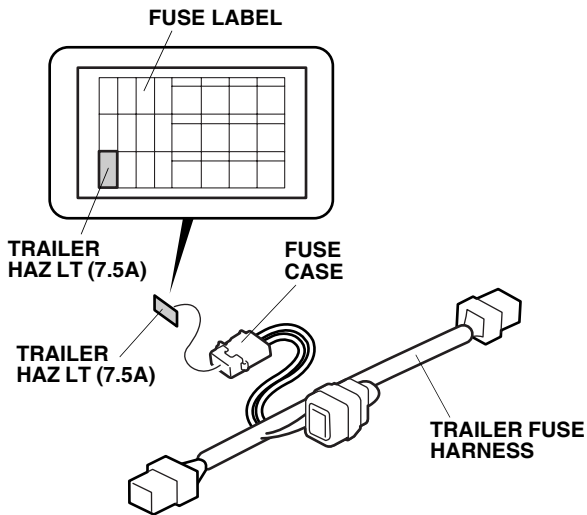


48. Secure the trailer unit harness to the vehicle panel using a wire tie.

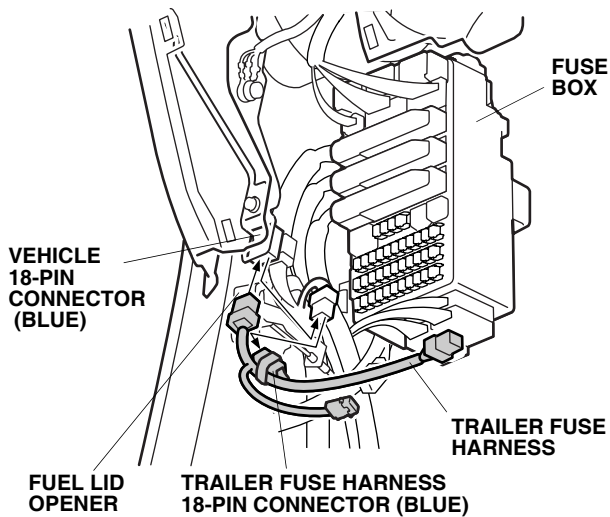


## Routing the Trailer Fuse Harness

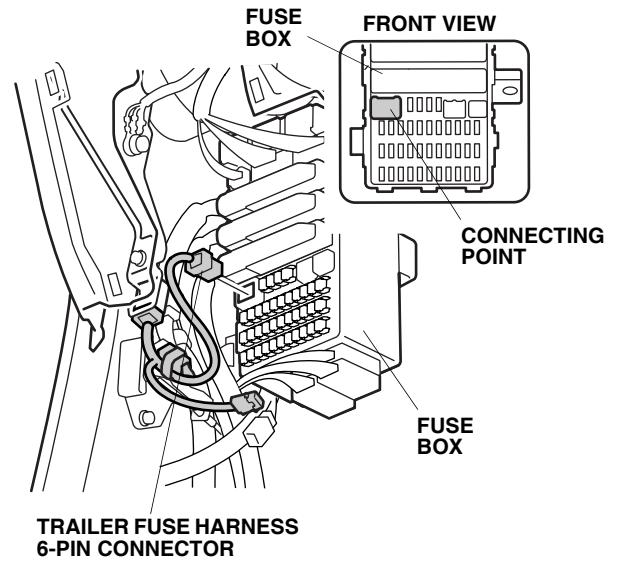
49. Attach the 7.5A fuse label to the fuse case on the trailer fuse harness.



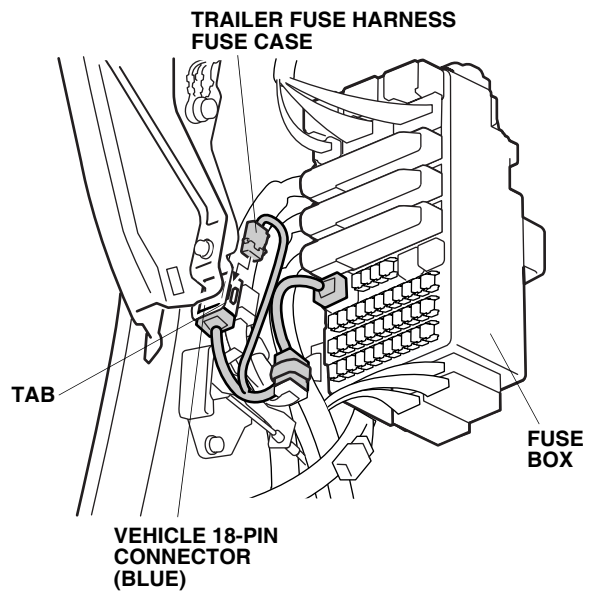
50. Above the fuel lid opener, locate and unplug the vehicle 18-pin connector (blue), and plug it into the trailer fuse harness 18-pin connector (blue). Connect the remaining trailer fuse harness 18-pin connector to the vehicle 18-pin connector.



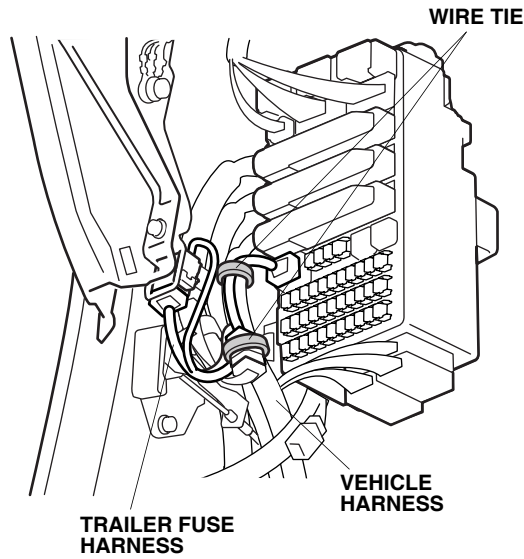
51. Plug the trailer fuse harness 6-pin connector into the fuse box at the location shown.



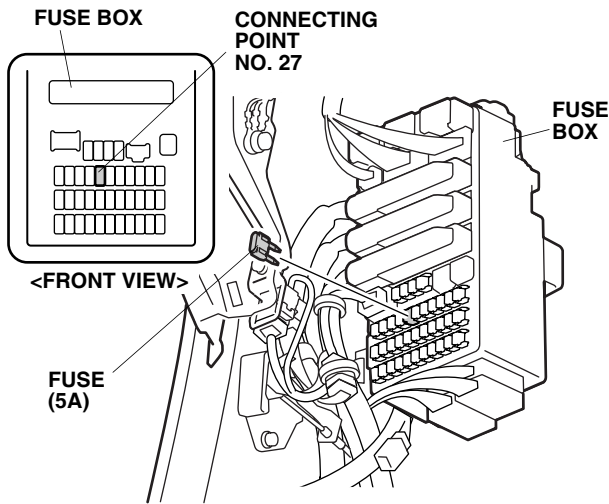
52. Secure the trailer fuse harness fuse case to the tab on the vehicle 18-pin connector (blue).



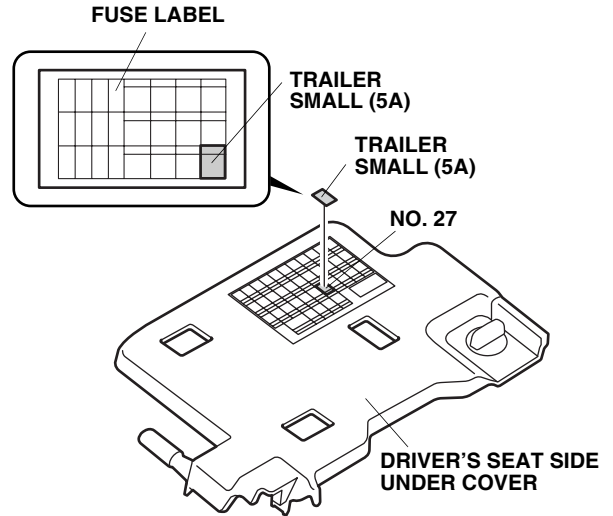
53. Secure the trailer fuse harness to the vehicle harness using two wire ties.



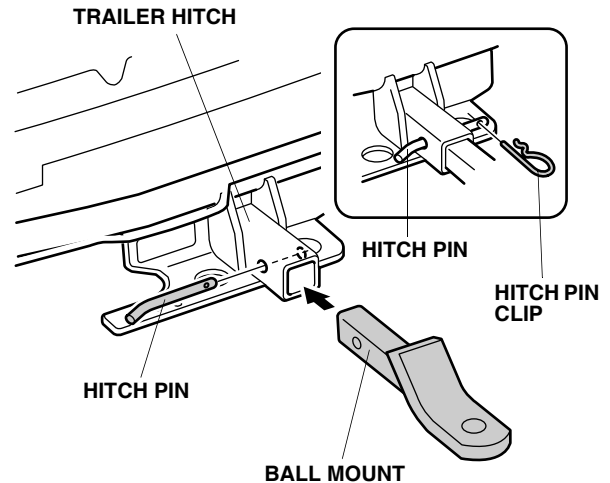
54. Insert the 5A fuse into the fuse box at the empty slot location shown.



55. Attach the 5A fuse label to the NO. 27 slot on the driver's seat side under cover.



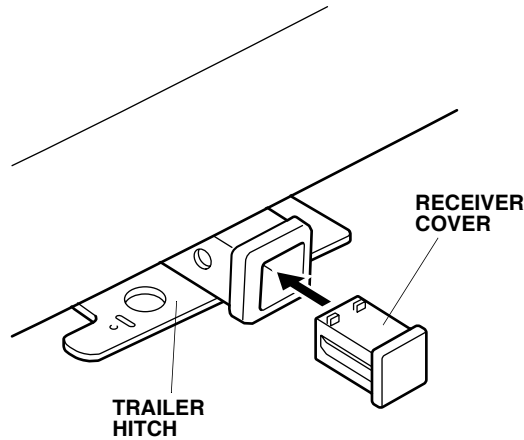
56. Check that all wire harnesses are routed properly and all connectors are plugged in.  
 57. Reinstall all removed parts. Check that all clips and fasteners are installed securely.  
 58. Reconnect the negative cable to the battery.  
 59. Enter the customer's radio anti-theft code, and reset the radio station presets.  
 60. Reset the clock.  
 61. Install the ball mount to the trailer hitch using a hitch pin and hitch pin clip.



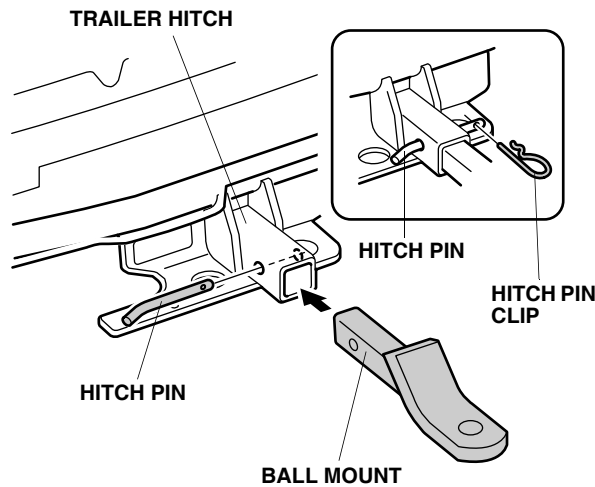
**Give a copy of this page to your customer**

**Installing the Receiver Cover**

Whenever you remove the hitch pin clip, the hitch pin, and the ball mount, store them securely in the cargo area. Install the receiver cover into the opening at the end of the trailer hitch. When you reinstall the ball mount, store the receiver cover in the cargo area.



Install the ball mount the trailer hitch using a hitch pin clip and hitch pin.



After the first 600 miles (1,000 km) of towing, have your Honda Dealer recheck the tightness of the trailer hitch bolts.